



DESERT SLED
Model Year 2019

SCRAMBLER

Chassis prefix:
Cylinder capacity: 800

D20000019
SPARE PARTS CATALOGUE
en-US



The present spare parts order exactly the right spare parts.

When ordering specify:

1. the part's code number followed by its description and quantity needed;
2. the motorcycle's serial number, stamped on the steering head.

Reference to right and left apply to the vehicle in terms of its direction of movement.

Spare parts drawings are general and do not represent the part.

The contents of this catalogue are general and can undergo changes without prior notice.

CHARACTERISTICS LEGENDA

CHARACTERISTIC CODE	CHARACTERISTIC DESCRIPTION	VALUE CODE	VALUE DESCRIPTION
CPT	PARTICOLAR CHARACTERISTICS	D35	DEPOTENZIATO 35KW
CPT	PARTICOLAR CHARACTERISTICS	STD	MOTO STANDARD
DFR	DAFRA	N	NO
MOD	MODEL	SCR800DS	Desert Sled
PLT	PLANT	DB10	DMH
XCO	MAIN COLOUR	WTR	White Mirage
XCR	FRAME / WHEEL COLOUR	R-B	RED FRAME,WITH BLACK WHEELS
XPO	OPTIONS	OML	OMOLOGATO
XST	STANDARD COUNTRY	EUR	VERSIONE EUROPA
XST	STANDARD COUNTRY	GSO	VERSIONE PAESI DEL GOLFO
XST	STANDARD COUNTRY	ROK	VERSIONE SOUTH COREA



COLOUR	COLOUR CODE	COLOUR DESCRIPTION	FINISHED PRODUCTS
	WTR	WHITE TRICOLORE	(D20025619) SCR800DS 19 EUR WTR R-B STD OML DMH (D20025719) SCR800DS 19 GSO WTR R-B STD OML DMH (D20026719) SCR800DS 19 EUR WTR R-B D35 OML DMH (D20027119) SCR800DS 19 ROK WTR R-B STD OML DMH



General information.....	3
Colours.....	4
Group ELECTRIC.....	8
Drawing 13A - WIRING HARNESS (COIL) [MOD:SCR800DS].....	8
Drawing 13B - VEHICLE ELECTRIC SYSTEM [MOD:SCR800DS].....	10
Drawing 13C - BATTERY HOLDER [MOD:SCR800DS].....	12
Drawing 13D - ELECTRICAL DEVICES [MOD:SCR800DS].....	16
Drawing 13E - ELECTRICAL DEVICES [MOD:SCR800DS].....	18
Drawing 14A - HEADLIGHT [MOD:SCR800DS].....	20
Drawing 14B - TAILLIGHT [MOD:SCR800DS].....	22
Drawing 15A - INSTRUMENT PANEL [MOD:SCR800DS].....	24
Group OIL.....	26
Drawing L - SHELL ADVANCE [MOD:SCR800DS].....	26
Group ENGINE.....	28
Drawing 02A - SHIFT CAM - FORK [MOD:SCR800DS].....	28
Drawing 03A - GEAR BOX [MOD:SCR800DS].....	30
Drawing 03B - CLUTCH (FCC) [MOD:SCR800DS].....	32
Drawing 03C - CLUTCH (APTC) [MOD:SCR800DS].....	34
Drawing 04A - CLUTCH COVER [MOD:SCR800DS].....	36
Drawing 04B - GENERATOR COVER [MOD:SCR800DS].....	38
Drawing 05A - CONNECTING RODS [MOD:SCR800DS].....	40
Drawing 06A - CYLINDERS - PISTONS [MOD:SCR800DS].....	42
Drawing 07A - TIMING SYSTEM [MOD:SCR800DS].....	44
Drawing 08A - OIL PUMP [MOD:SCR800DS].....	46
Drawing 09A - HALF-CRANKCASES PAIR [MOD:SCR800DS].....	48
Drawing 09B - HALF-CRANKCASES PAIR [MOD:SCR800DS].....	52
Drawing 10A - ELECTRIC STARTING AND IGNITION [MOD:SCR800DS].....	54
Drawing 11A - VERTICAL CYLINDER HEAD - TIMING [MOD:SCR800DS].....	56
Drawing 11B - HORIZONTAL HEAD – TIMING SYSTEM [MOD:SCR800DS].....	58



Drawing 11C - VERTICAL HEAD [MOD:SCR800DS]..... 60

Drawing 11D - HORIZONTAL HEAD [MOD:SCR800DS]..... 68

Drawing 11E - INTAKE MANIFOLD [MOD:SCR800DS]..... 76

Group TYRES..... 78

 Drawing A3 - TYRES [MOD:SCR800DS]..... 78

 Drawing B3 - (*) PIRELLI SCORPION™ RALLY STR [MOD:SCR800DS]..... 80

 Drawing C3 - PIRELLI SCORPION™ TRAIL II [MOD:SCR800DS]..... 82

 Drawing D2 - PIRELLI SCORPION™ RALLY [MOD:SCR800DS]..... 84

 Drawing H - PIRELLI ANGEL™ GT II [MOD:SCR800DS]..... 86

Group FRAME..... 88

 Drawing 16A - STAND [MOD:SCR800DS]..... 88

 Drawing 17A - FRONT SPROCKET - CHAIN [MOD:SCR800DS]..... 90

 Drawing 18A - STEERING ASSEMBLY [MOD:SCR800DS]..... 92

 Drawing 18B - FRONT FORK [MOD:SCR800DS]..... 94

 Drawing 19A - REAR SWINGING ARM [MOD:SCR800DS]..... 96

 Drawing 20A - FRONT BRAKE PUMP [MOD:SCR800DS]..... 98

 Drawing 20B - FRONT BRAKE SYSTEM [MOD:SCR800DS]..... 100

 Drawing 20C - BRAKING SYSTEM ABS [MOD:SCR800DS]..... 102

 Drawing 20D - REAR BRAKE SYSTEM [MOD:SCR800DS]..... 104

 Drawing 21A - PLATE HOLDER [MOD:SCR800DS;XST:EUR,GSO,ROK]..... 106

 Drawing 22A - HANDLEBAR [MOD:SCR800DS]..... 108

 Drawing 22B - CLUTCH CONTROL [MOD:SCR800DS]..... 110

 Drawing 23A - REAR SHOCK ABSORBER [MOD:SCR800DS]..... 112

 Drawing 24A - FRONT MUDGUARD [MOD:SCR800DS]..... 114

 Drawing 26A - FOOTRESTS, LEFT [MOD:SCR800DS]..... 116

 Drawing 26B - FOOTRESTS, RIGHT [MOD:SCR800DS]..... 118

 Drawing 27A - REAR MUDGUARD [MOD:SCR800DS]..... 120

 Drawing 28A - FRONT WHEEL [MOD:SCR800DS]..... 122

 Drawing 29A - REAR WHEEL [MOD:SCR800DS]..... 124

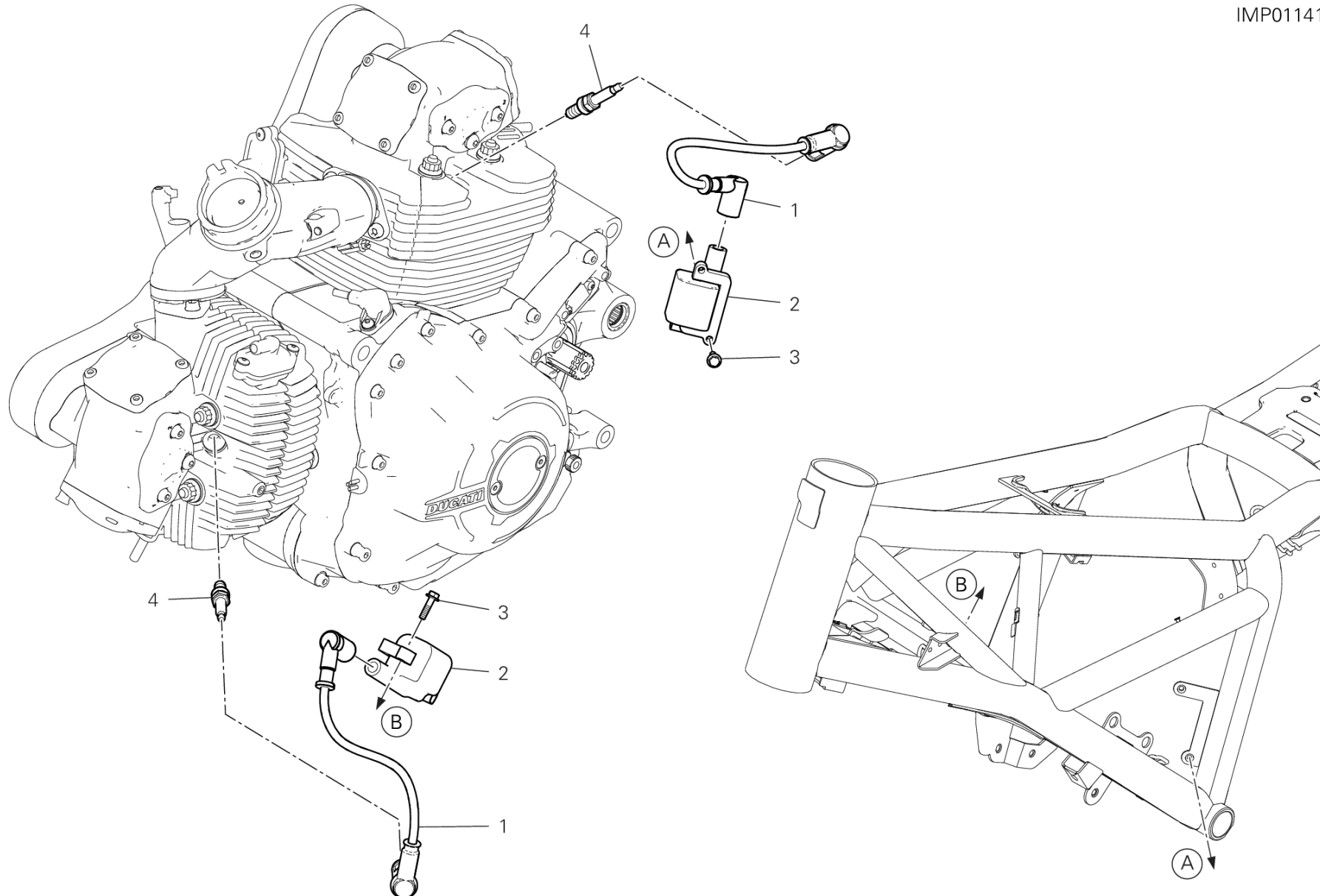
 Drawing 30A - TANK [MOD:SCR800DS]..... 126



Drawing 30B - FUEL PUMP [MOD:SCR800DS].....	128
Drawing 31A - EXHAUSRT PIPE ASSY [MOD:SCR800DS].....	130
Drawing 31B - EXHAUST SILENCER [MOD:SCR800DS;XST:EUR,GSO].....	132
Drawing 31B - EXHAUST SILENCER [MOD:SCR800DS;XST:ROK].....	134
Drawing 32A - SEAT [MOD:SCR800DS].....	136
Drawing 33A - FRAME [MOD:SCR800DS].....	138
Drawing 34A - OIL COOLER [MOD:SCR800DS].....	140
Drawing 35A - AIR INTAKE - OIL BREATHER [MOD:SCR800DS].....	142
Drawing 35B - SECONDARY AIR SYSTEM [MOD:SCR800DS].....	144
Drawing 36A - THROTTLE BODY [MOD:SCR800DS].....	146
Drawing 36B - CANISTER FILTER [MOD:SCR800DS].....	148
Drawing 37A - FAIRING [MOD:SCR800DS].....	150
Drawing 37C - GUARD, ENGINE [MOD:SCR800DS].....	152
Alphanumeric index.....	154



IMP01141

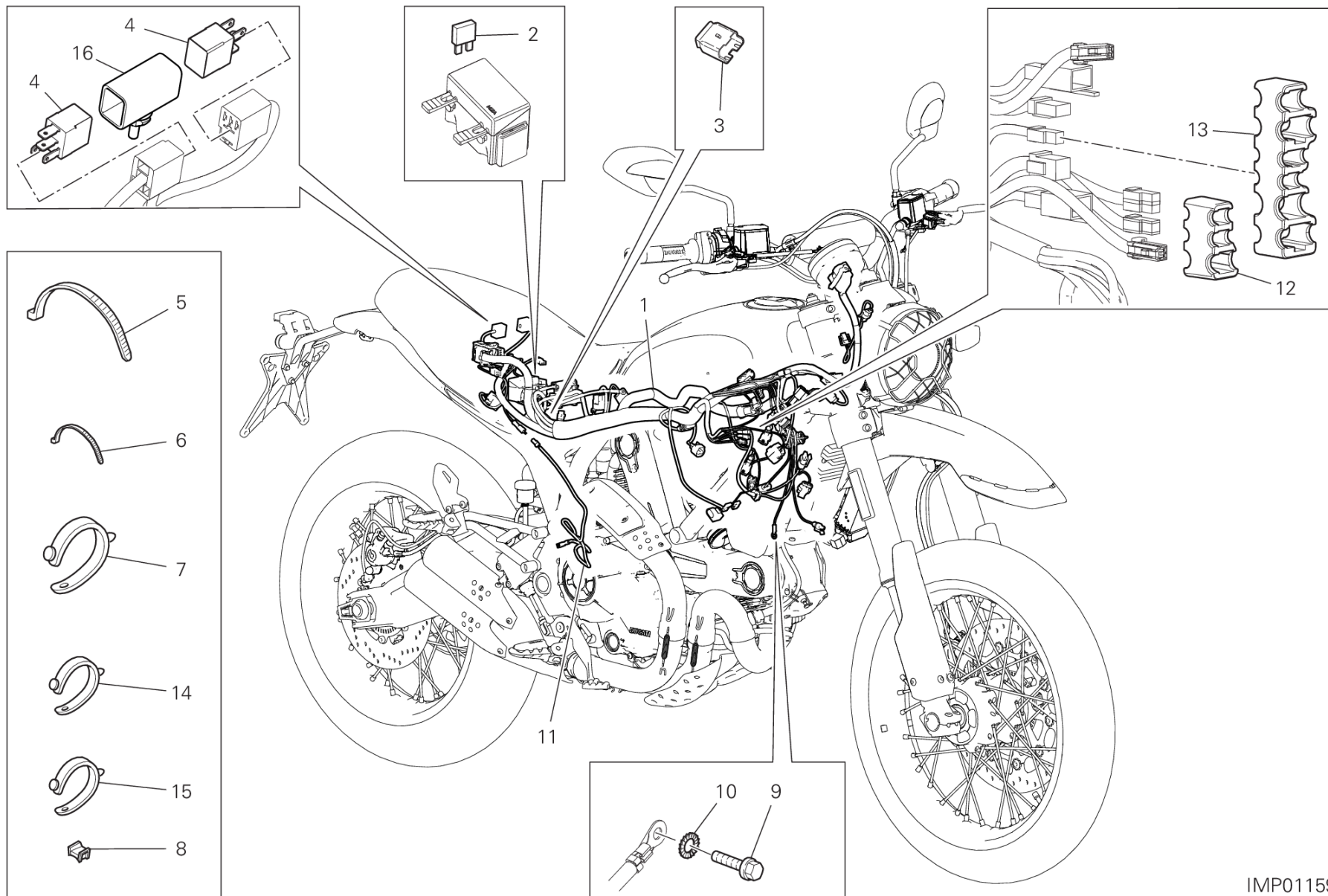


DRAWING 13A - WIRING HARNESS (COIL) [MOD:SCR800DS]

GROUP ELECTRIC



POS.	CODE	DESCRIPTION	QTY	START DATE	END DATE	VALIDITY	NOTES
1	67110811A	SPARK PLUG WIRING	2	05/02/2018			
2	38010151A	IGNITION COIL	2	05/02/2018			
3	77253063C	SCREW	4	05/02/2018			
4	67040351A	SPARK PLUG NGK DCP8E TERM.SOLIDPOST	2	23/11/2017			



IMP01159

DRAWING 13B - VEHICLE ELECTRIC SYSTEM [MOD:SCR800DS]

GROUP ELECTRIC

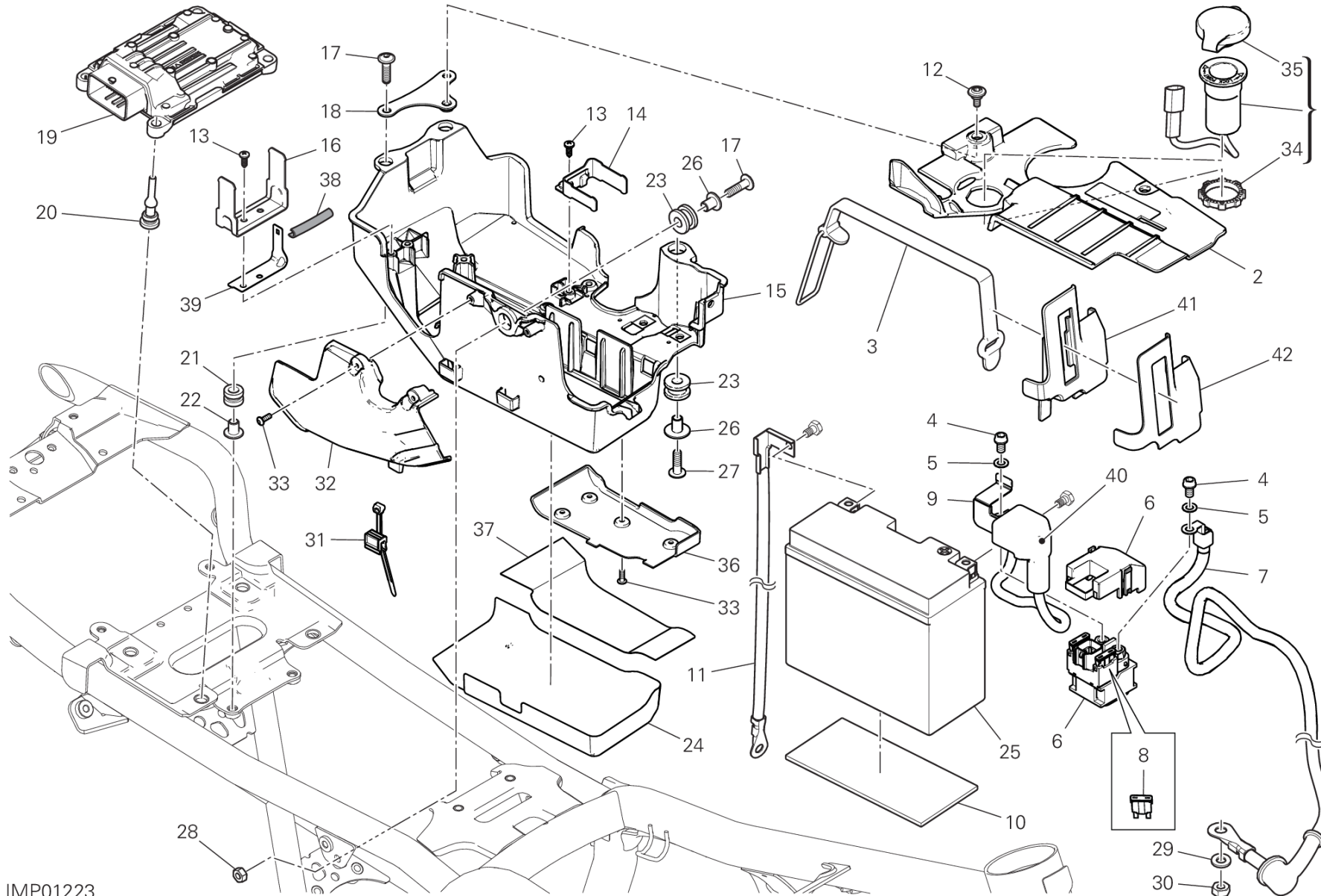


POS.	CODE	DESCRIPTION	QTY	START DATE	END DATE	VALIDITY	NOTES
1	5101E241C	MAIN WIRING HARNESS	1	01/09/2018			
2	38940191A	FUSE 5A	3				
	38940201A	FUSE 10A	2				
	38940211A	FUSE 15A	2				
	38940221A	FUSE 20A	2				
3	87210532A	CAP DDA	1				
4	54140101A	RELAY	2				
5	069191030	CLAMP	18	01/10/2013			
6	74140381A	CLAMP	19	01/08/2013			
7	74110131A	CLAMP, RUBBER 82MM	1	22/10/2013			
8	85040671A	CLAMP TUCKER	13	01/10/2013			
9	77211061A	SCREW TEF M6X14	1	22/10/2013			
10	85550001B	SPRING WASHER	1	22/10/2013			
11	5101E251B	REAR WIRING	1	03/05/2018			
12	86612091A	BRACKET, CONNECTOR LOWER	1	29/10/2014			
13	86612081A	BRACKET, CONNECTOR UPPER	1	29/10/2014			
14	74110121A	CLAMP, RUBBER 62MM	7	29/10/2014			
15	74110551A	CLAMP, RUBBER 39MM	3	25/01/2016			
16	86612061A	RUBBER PAD	1	01/08/2018			



DRAWING 13C - BATTERY HOLDER [MOD:SCR800DS]

GROUP ELECTRIC



IMP01223

DESERT SLED /19

020000019

DRAWING 13C - BATTERY HOLDER [MOD:SCR800DS]

GROUP ELECTRIC

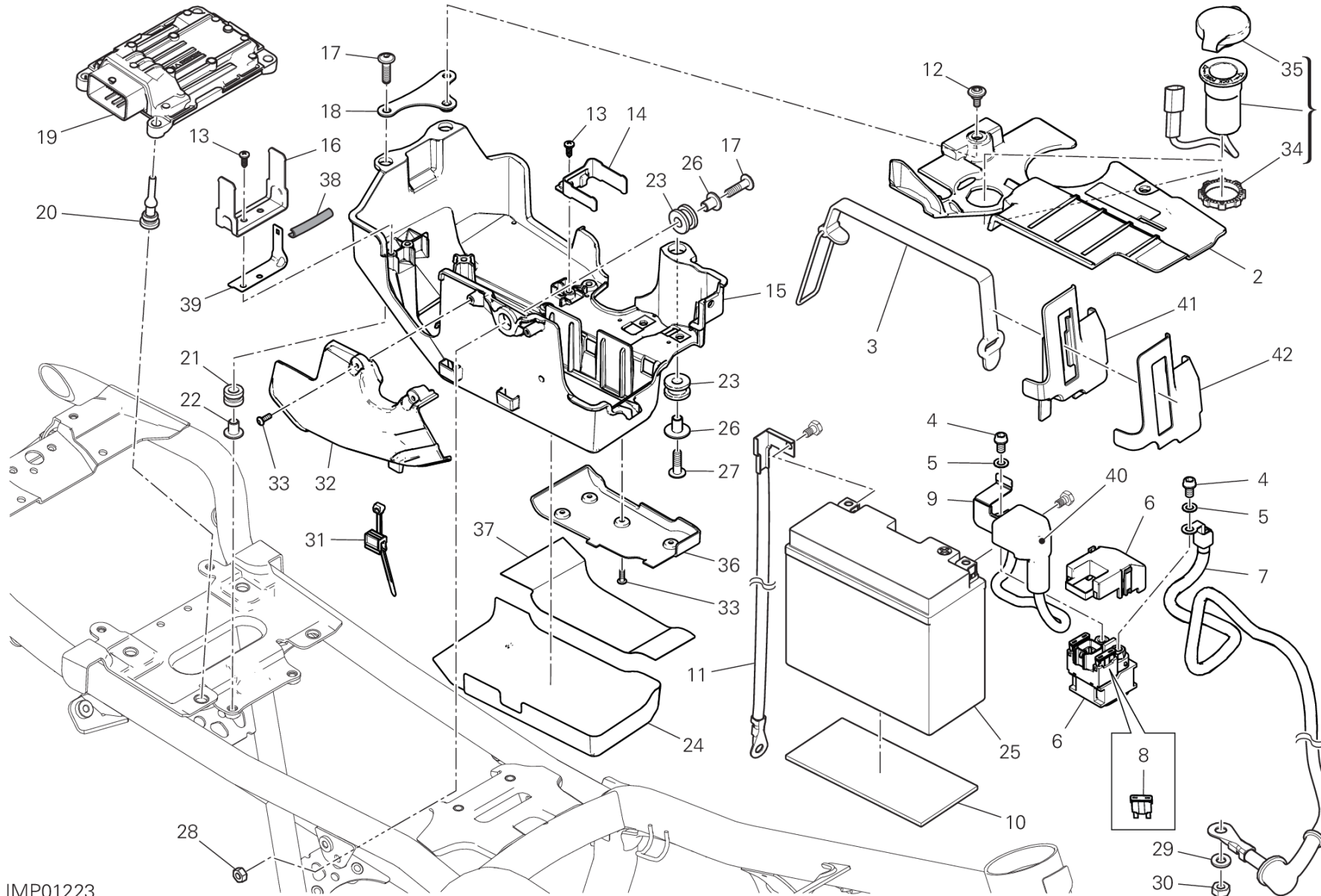


POS.	CODE	DESCRIPTION	QTY	START DATE	END DATE	VALIDITY	NOTES
1	38640561C	SOCKET, LOW VOLTAGE (USB)	1	29/10/2014			
2	4601G621A	COVER, BATTERY	1	05/02/2018			
3	75910321B	BELT	1	29/10/2014			
4	77156628B	SCREW TCEIF M6X10	2	29/10/2014			
5	85350101A	WASHER, SPRING	2	29/10/2014			
6	39740081B	STARTER RELAY	1	29/10/2014			
7	51411021B	CABLE	1	01/09/2018			
8	38940231A	FUSE 30A	1				
9	51411011B	CABLE	1	01/09/2018			
10	86611921A	BATTERY CARPET	1	29/10/2014			
11	51310291E	WIRE, BATTERY MINUS	1	27/02/2015			
12	77214411AA	SCREW	2	29/10/2014			
13	77440171A	SCREW	3	29/10/2014			
14	8291H231AA	BRACKET, STARTER RELAY	1	05/02/2018			
15	8291H242A	BOX, BATTERY	1	01/06/2018			
16	8291D111A	BRACKET, FUSE BOX	1	29/10/2014			
17	77240453C	SCREW TBEIF M6X22 10.9	3	29/10/2014			
18	8301A811AA	BRACKET	1	05/02/2018			
19	28643221A	ENGINE CONTROL UNIT	1	24/09/2018		CPT:STD;XST:EUR,GSO	
	28643221J	ENGINE CONTROL UNIT	1	24/09/2018		CPT:STD;XST:ROK	
	28643231A	ENGINE CONTROL UNIT	1	24/09/2018		CPT:D35	
20	70010861B	VIBRATION DAMPER	4	29/10/2014			
21	76412031A	RUBBER PAD	2	29/10/2014			
22	71614261A	SPACER	2	29/10/2014			
23	76411491A	RUBBER PAD	2	29/10/2014			
24	4601G611A	THERMOREFLECTING PROTECTION	1	05/02/2018			
25	69926751A	BATTERY	1	05/02/2018			
26	71615091AA	SPACER	2	07/01/2015			
27	77240443C	SCREW	1	05/02/2018			
28	74940041A	NUT, SELF-LOCKING M6	1	29/10/2014			
29	85350101A	WASHER, SPRING	1	29/10/2014			
30	75050051A	NUT 6MM	1	29/10/2014			
31	75840801A	CLAMP	1	27/06/2018			
32	4601G731A	CAP RH	1	05/02/2018			
33	77440101A	SCREW, TAPPING 3.5X10	6	05/02/2018			



DRAWING 13C - BATTERY HOLDER [MOD:SCR800DS]

GROUP ELECTRIC



IMP01223

DESERT SLED /19

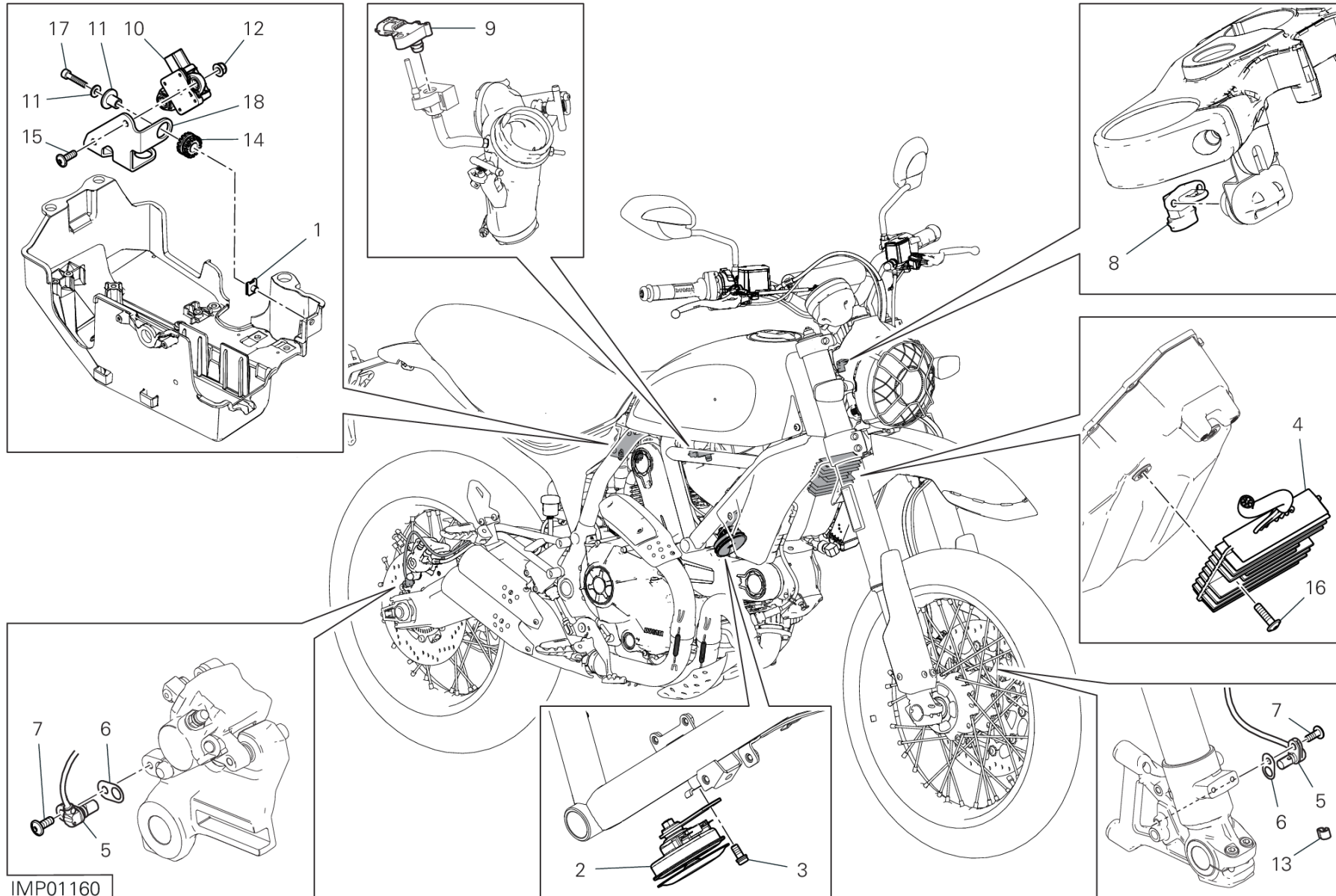
020000019

DRAWING 13C - BATTERY HOLDER [MOD:SCR800DS]

GROUP ELECTRIC



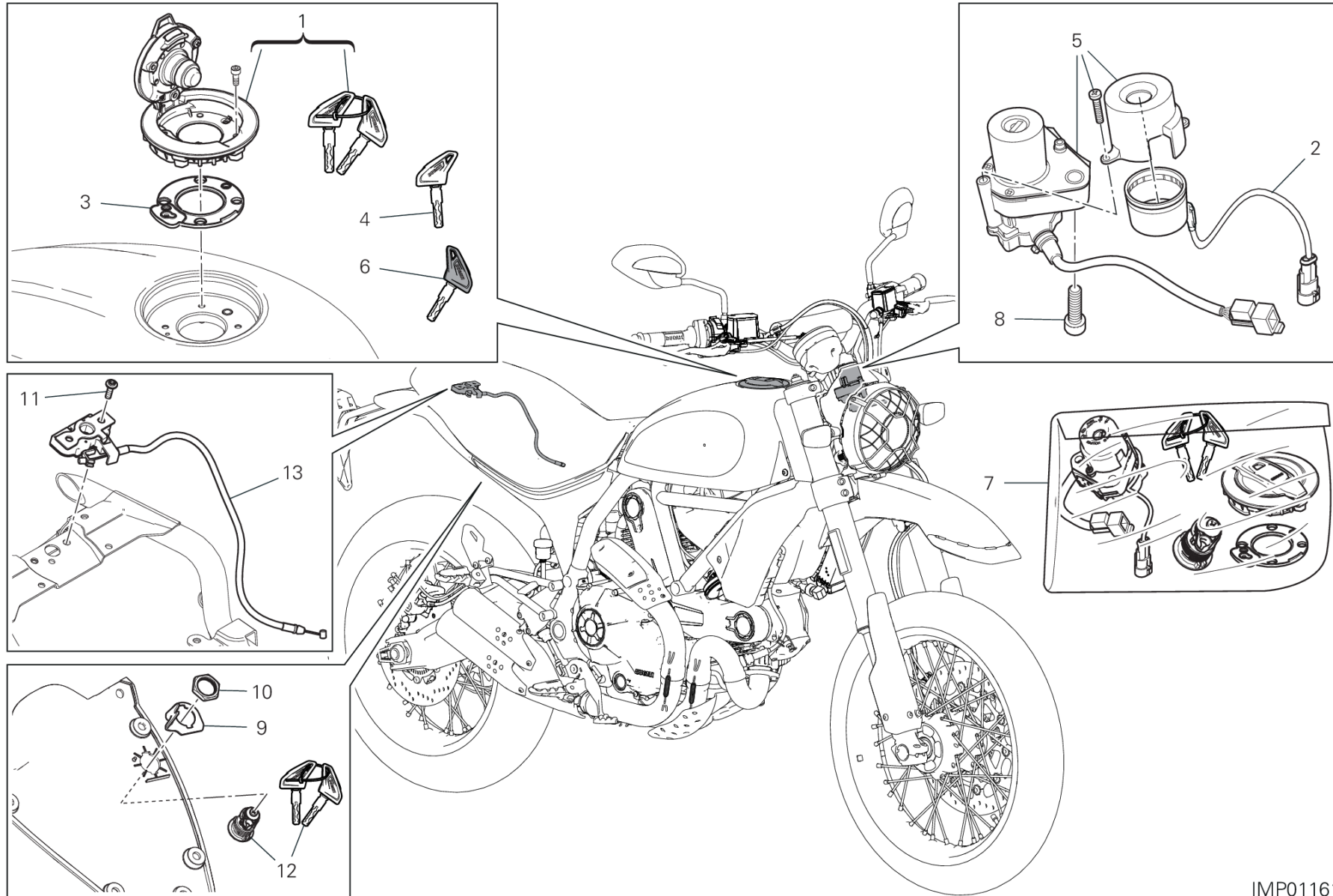
POS.	CODE	DESCRIPTION	QTY	START DATE	END DATE	VALIDITY	NOTES
34	75040211A	NUT	1	11/01/2016			
35	87211081A	CAP DDA	1	11/01/2016			
36	4601G741A	COVER	1	01/08/2018			
37	4601G801A	THERMOREFLECTING PROTECTION	1	01/08/2018			
38	76412131A	RUBBER PAD	1	01/08/2018			
39	8301A801AA	BRACKET	1	01/08/2018			
40	67210641A	CAP	1	07/09/2018			
41	4601H671A	GUARD BATTERY	1	03/03/2019			
42	4601H681A	THERMOREFLECTING PROTECTION BATTERY	1	03/03/2019			



IMP01160



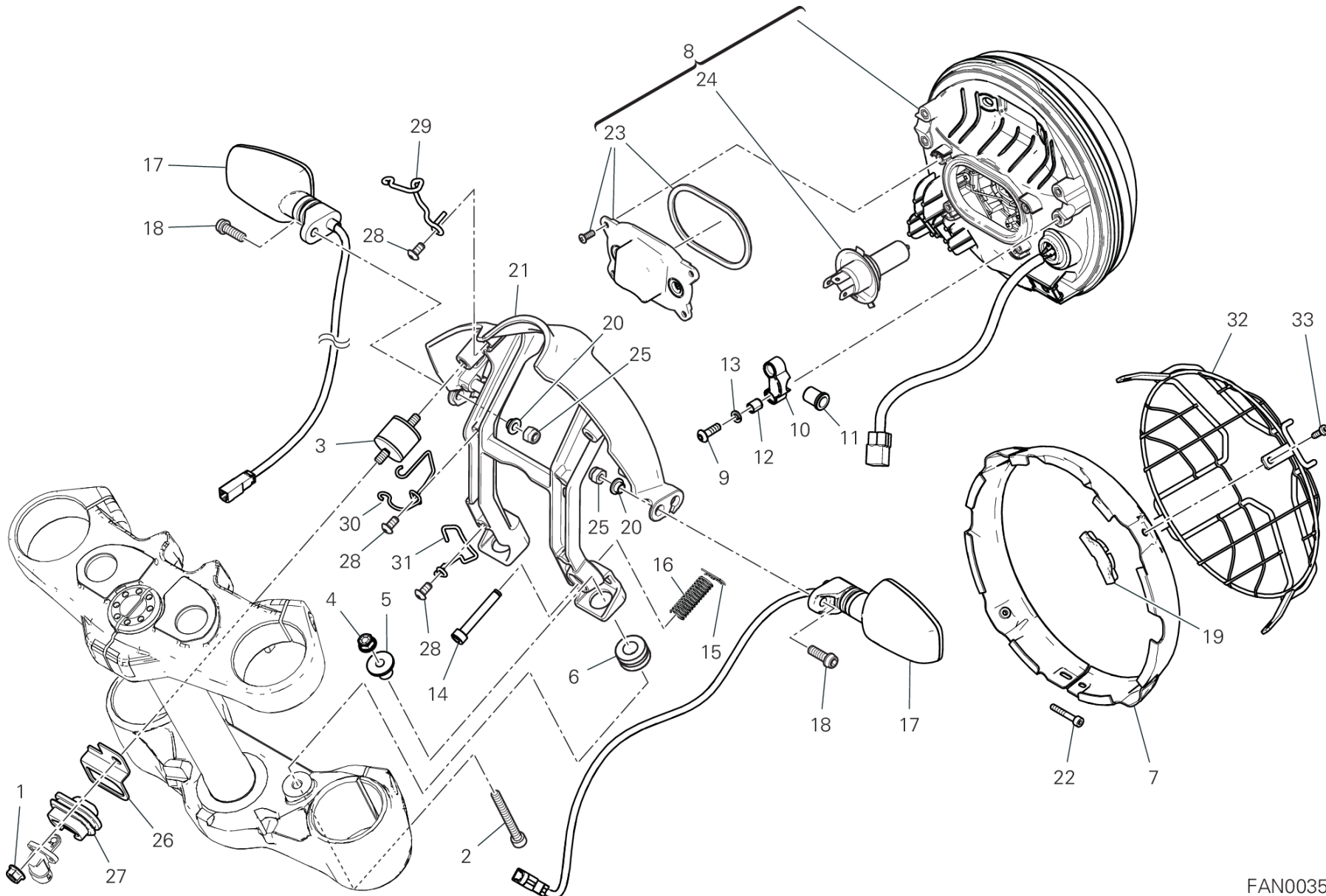
POS.	CODE	DESCRIPTION	QTY	START DATE	END DATE	VALIDITY	NOTES
1	85040471A	QUICK FASTENING M5	3	01/08/2018			
2	51610043B	HORN	1	09/01/2018		XST:EUR,GSO,ROK	
3	77211021A	SCREW TBEIF M6X10	1	09/01/2018			
4	54040111C	VOLTAGE REGULATOR	1	09/01/2018			
5	55212121B	SENSOR, SPEED	2	09/01/2018			
6	71314901A	GASKET TH.02	4	29/11/2017			
	71319201A	GASKET 0.5 MM	3	29/11/2017			
7	77210423C	SCREW TBEIF M6X16	2	09/01/2018			
8	55240121A	SENSOR, AIR TEMPERATURE	1	09/01/2018			
9	55243161B	SENSOR, PRESSURE	1	09/01/2018			
10	38540093B	PIATTAFORMA INERZIALE	1	01/08/2018			
11	71610061A	SPACER	3	01/08/2018			
12	74941118B	NUT 6MM	2	01/08/2018			
13	75840601A	FAIRLEAD	6	01/08/2018			
14	76410241A	VIBRATION DAMPER PAD	3	01/08/2018			
15	77240433C	SCREW	2	01/08/2018			
16	77240453C	SCREW TBEIF M6X22 10.9	2	01/08/2018			
17	77244233B	SCREW	3	01/08/2018			
18	8301A731AA	BRACKET	1	01/08/2018			



IMP01161



POS.	CODE	DESCRIPTION	QTY	START DATE	END DATE	VALIDITY	NOTES
1	89520481B	TANK CAP COMPLETE	1	22/06/2015		PLT:DB10;XST:EUR,GSO,ROK	
2	51840051B	COIL ANTENNA, IMMOBILIZER	1	22/06/2015			
3	86640111A	GASKET, FUEL TANK CAP	1	22/06/2015			
4	59840291A	KEY, NON INDENTED WITHOUT TRANSPONDER	1	22/06/2015			
5	65240241C	KEY-OPERATED SWITCH	1	22/06/2015			
6	59810201A	KEY WITH TRANSPONDER	1	22/06/2015			
7	59821441D	LOCKS KIT	1	07/03/2018		PLT:DB10;XST:EUR,GSO,ROK	
8	77151278B	SCREW TCEI M8X30	2	09/01/2018			
9	82714821A	PLATE	1	01/08/2018			
10	75011551A	NUT M22X1.5	1	01/08/2018			
11	77240308C	SCREW	2	01/08/2018			
12	59820611A	SEAT LOCK	1	22/06/2015			
13	59910151A	LOCK LATCH	1	01/08/2018			



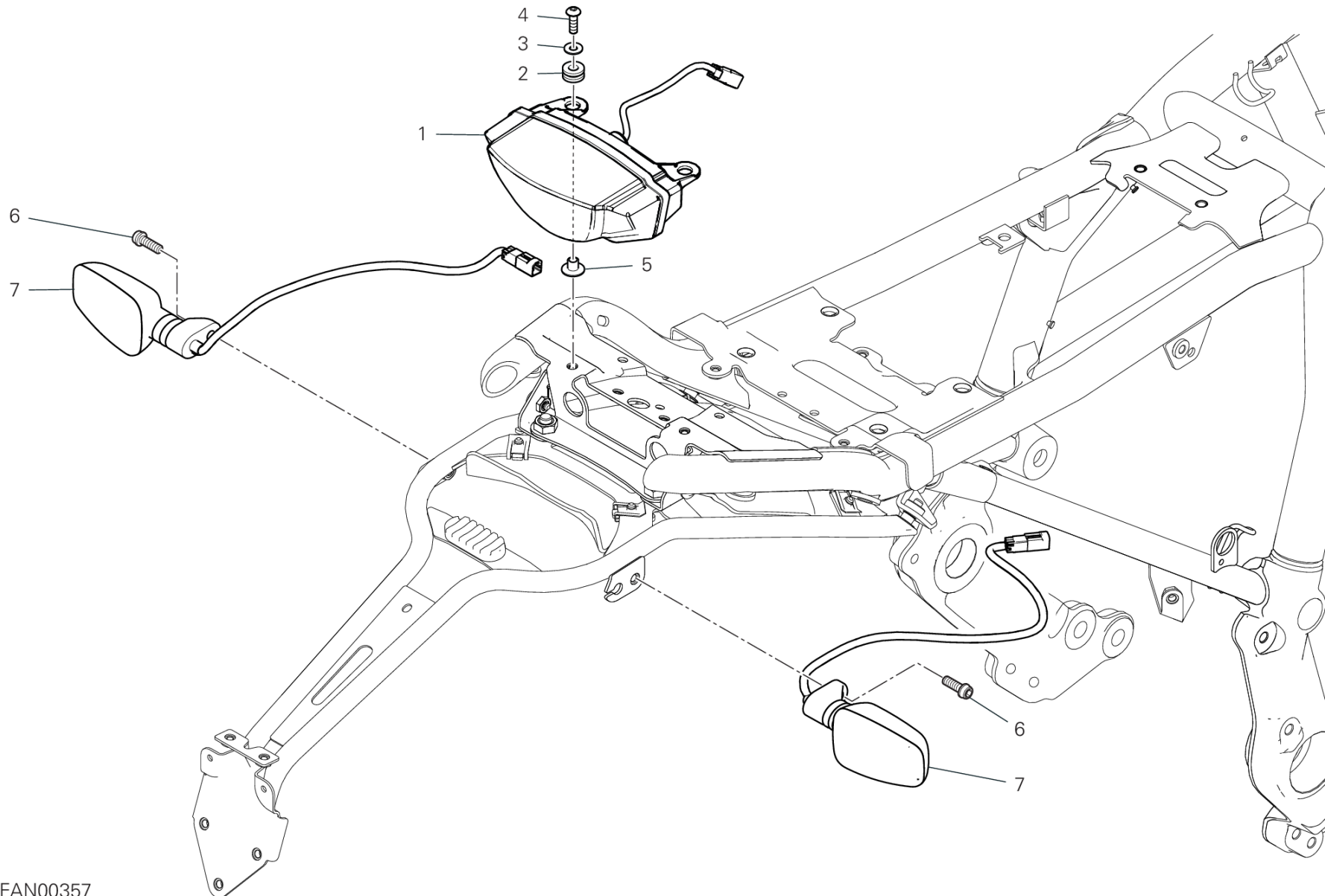
FAN00356

DRAWING 14A - HEADLIGHT [MOD:SCR800DS]

GROUP ELECTRIC



POS.	CODE	DESCRIPTION	QTY	START DATE	END DATE	VALIDITY	NOTES
1	74841101AA	NUT 6MM	2	09/01/2018			
2	77150768B	SCREW TCEI M6X55	2				
3	70040241A	VIBRATION DAMPER	2				
4	74941118B	NUT 6MM	2				
5	7131A792A	BUSH	2				
6	76410641A	VIBRATION DAMPER PAD	2				
7	46020081BA	COVER HEADLIGHT	1	28/08/2018			
8	52010491B	HEADLIGHT FRONT	1	01/06/2018			
9	77510171A	SCREW TBEI M5X16	4				
10	8291E041A	U-BOLT KIT	2				
11	71011901A	SPINDLE, TAPER	2				
12	71115491A	SPACER	4				
13	85340021A	SPRING WASHER	4				
14	77941952A	SCREW, HEADLIGHT ADJUSTING	1				
15	68540081A	COTTER PIN	1				
16	79940201A	SPRING	1				
17	53010411B	FLASHER LIGHT	2	01/06/2018			
18	77110401B	SCREW	2	05/02/2018			
19	87211431AA	PLUG	4	05/06/2018			
20	71610441B	SPACER	2	06/03/2018			
21	8291E031C	HEADLIGHT BRACKET	1	05/02/2018			
22	77150258B	SCREW	1				
23	39040341A	PLUG ASSY HEADLIGHT	1				
24	39040241A	BULB HEADLIGHT	1				
25	74940041A	NUT, SELF-LOCKING M6	2	05/02/2018			
26	8301A831AA	BRACKET	1	05/02/2018			
27	76410971A	RUBBER PAD	1	05/02/2018			
28	77440171A	SCREW	3	05/02/2018			
29	75810941B	FAIRLEAD UPPER	1	05/02/2018			
30	75810931C	FAIRLEAD MIDDLE	1	05/02/2018			
31	75811441A	FAIRLEAD LOWER	1	01/08/2018			
32	4601H131AA	MASH HEADLIGHT	1	26/08/2018			
33	77354623B	SCREW M4X10	4	26/08/2018			



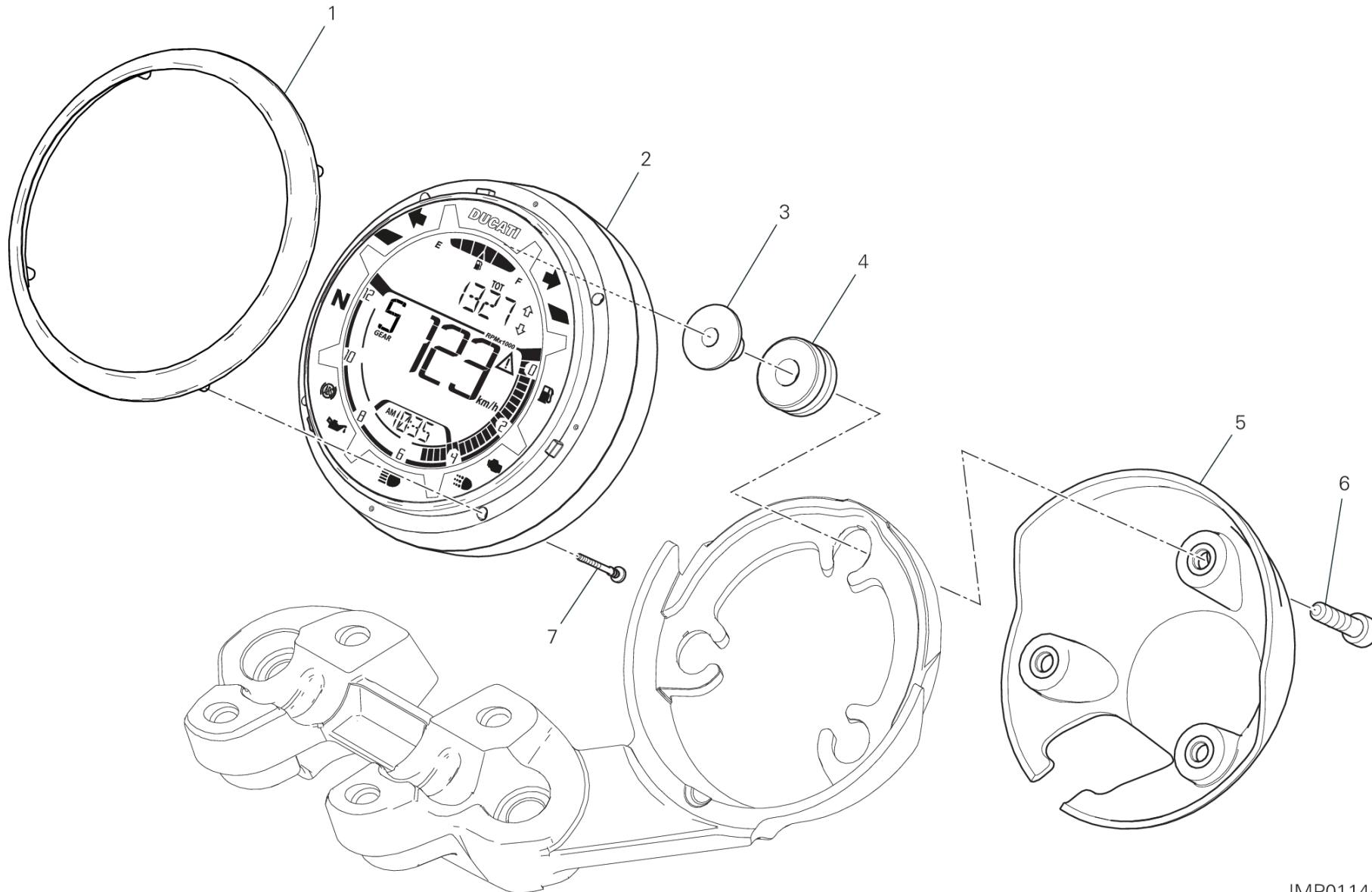
FAN00357

DRAWING 14B - TAILLIGHT [MOD:SCR800DS]

GROUP ELECTRIC



POS.	CODE	DESCRIPTION	QTY	START DATE	END DATE	VALIDITY	NOTES
1	52510507A	TAILLIGHT	1				
2	76411671A	RUBBER PAD	2				
3	85240131A	WASHER 5.3X15X1	2				
4	77510171A	SCREW TBEI M5X16	2				
5	71615261AA	SPACER	2				
6	77156643B	SCREW TCEIF M6X14 8.8	2	05/02/2018			
7	53010412B	FLASHER LIGHT	2	01/06/2018			



IMP01144

DRAWING 15A - INSTRUMENT PANEL [MOD:SCR800DS]

GROUP ELECTRIC



POS.	CODE	DESCRIPTION	QTY	START DATE	END DATE	VALIDITY	NOTES
1	40820203AA	RING SILVER	1	05/02/2018			
2	40611653B	INSTRUMENT PANEL	1	20/06/2018		XST:EUR,GSO,ROK	
3	71615151AA	SPACER	3	08/01/2015			
4	76411141A	VIBRATION DAMPER PAD	3	27/10/2015			
5	24714911A	COVER, METER	1	29/10/2014			
6	77150443B	SCREW TCEI M5X22 UNI5931 8.8	3	08/01/2015			
7	77440421A	SCREW	4	29/10/2014			

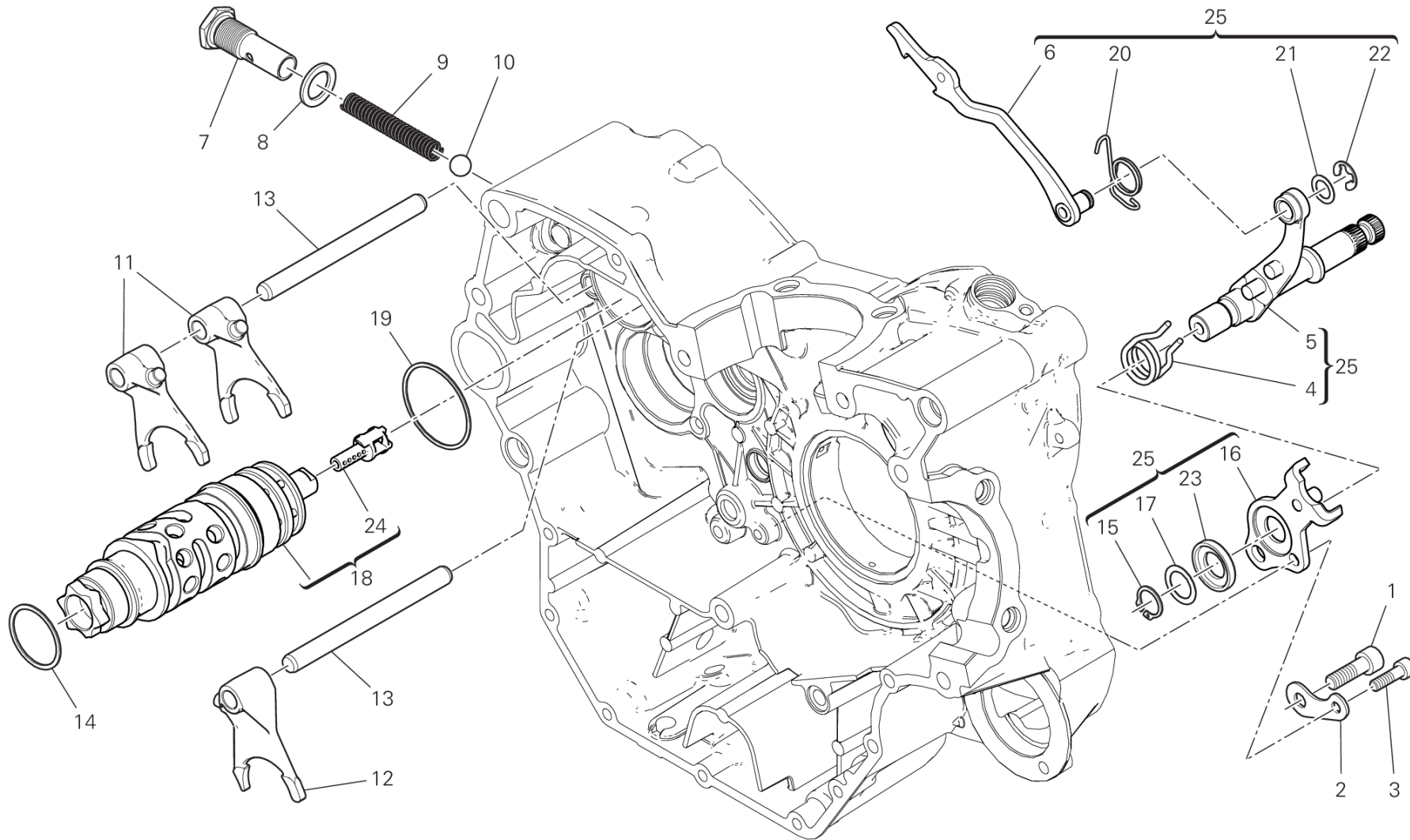


DRAWING L - SHELL ADVANCE [MOD:SCR800DS]

GROUP OIL



POS.	CODE	DESCRIPTION	QTY	START DATE	END DATE	VALIDITY	NOTES
1	944650035	SHELL ADVANCE DUCATI 15W50 - 1L BOTTLE	1				
2	944650037	SHELL ADVANCE DUCATI 15W50 – 209L DRUM	1				



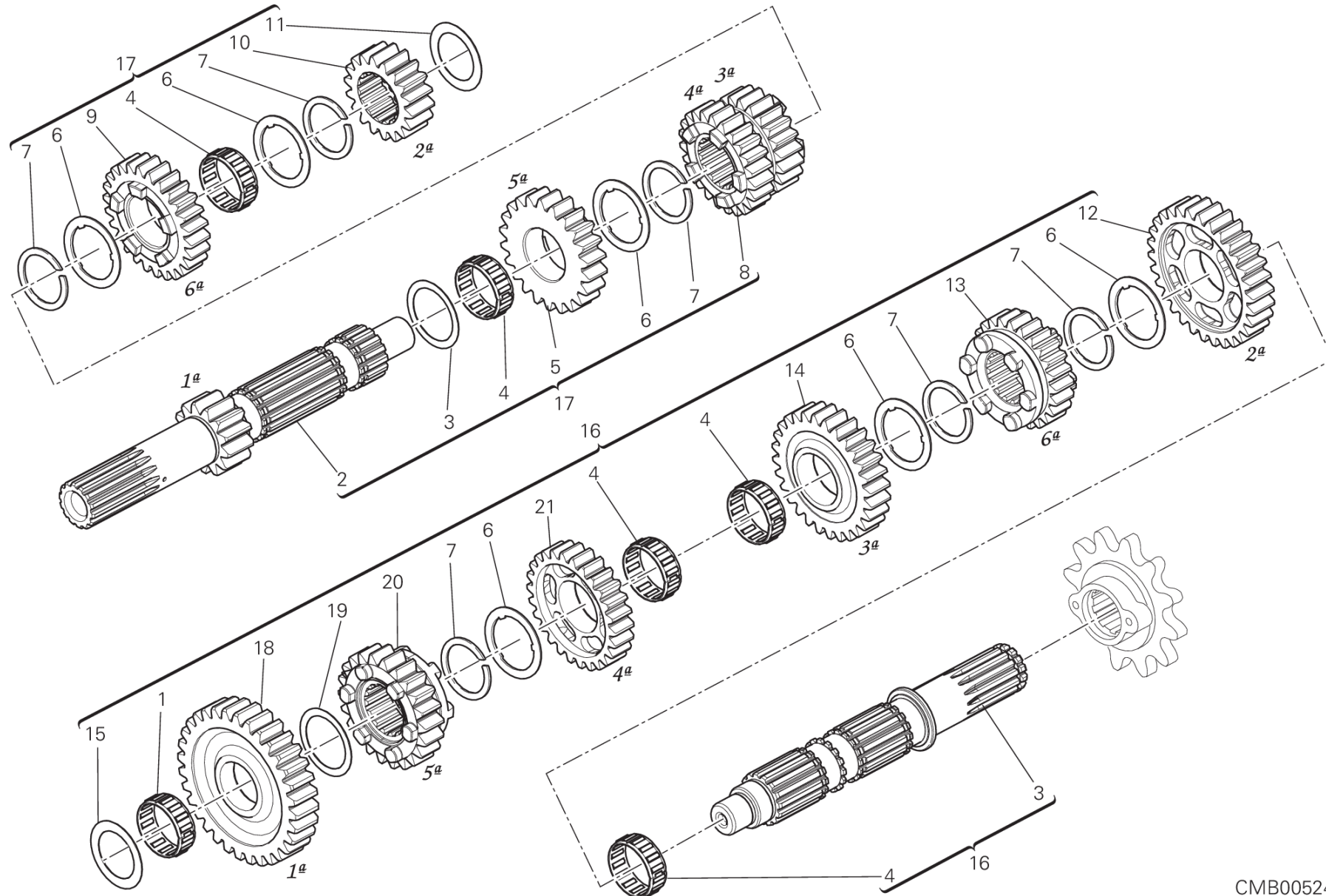
CMB00523

DRAWING 02A - SHIFT CAM - FORK [MOD:SCR800DS]

GROUP ENGINE



POS.	CODE	DESCRIPTION	QTY	START DATE	END DATE	VALIDITY	NOTES
1	77151250ZF	SCREW	1	18/09/2012			
2	71319151A	SPACER	1	19/09/2011			
3	77150670ZF	SCREW	1	18/09/2012			
4	79915061A	SPRING, SHIFT RETURN	1	03/05/2012			
5	82114731A	GEAR SELECTOR SHAFT	1	25/07/2016			
6	18020401A	CONTROL FORK	1	25/07/2016		XST:EUR	
	18020511A	CONTROL FORK	1	16/10/2017		XST:GSO,ROK	
7	77912033A	SCREW M16X1.5	1	19/12/2016			
8	027291090	GASKET 16.2X24X2	1	19/09/2011			
9	066013143	GEAR SELECTOR SPRING	1	19/09/2011			
10	768351134	BALL 11MM	1	19/09/2011			
11	180Z0011A	1ST, 4TH-2ND, 3RD GEAR SELECTOR FORK	2	19/09/2011			
12	180Z0021A	5TH,6TH GEAR SELECTOR FORK	1	19/09/2011			
13	82113881A	FORK PIN	2	19/09/2011			
14	85210051A	THRUST WASHER 1 MM	1	10/02/2012			
15	735001542	CIRCLIP 15 DIN 471	1	24/12/2009			
16	82610261A	STOPPER PLATE	1	24/12/2009			
17	040029126	THRUST WASHER 15.5X22X0.5	1	24/12/2009			
18	18220691B	COMPLETE GEARBOX DRUM	1	23/11/2017			
19	85210941A	THRUST WASHER 45.2X49X0.9	1	10/02/2012			
20	79912961A	RETURN SPRING	1	24/12/2009			
21	040009050	THRUST WASHER 10.5X16X0.5	1	24/12/2009			
22	88450341B	SPRING RING	1	24/12/2009			
23	88110121A	CENTERING RING	1	24/12/2009			
24	55243911A	MAGNETE (Unit)	1	23/11/2017			
25	82120151A	CONTROL FORK	1	15/10/2018			



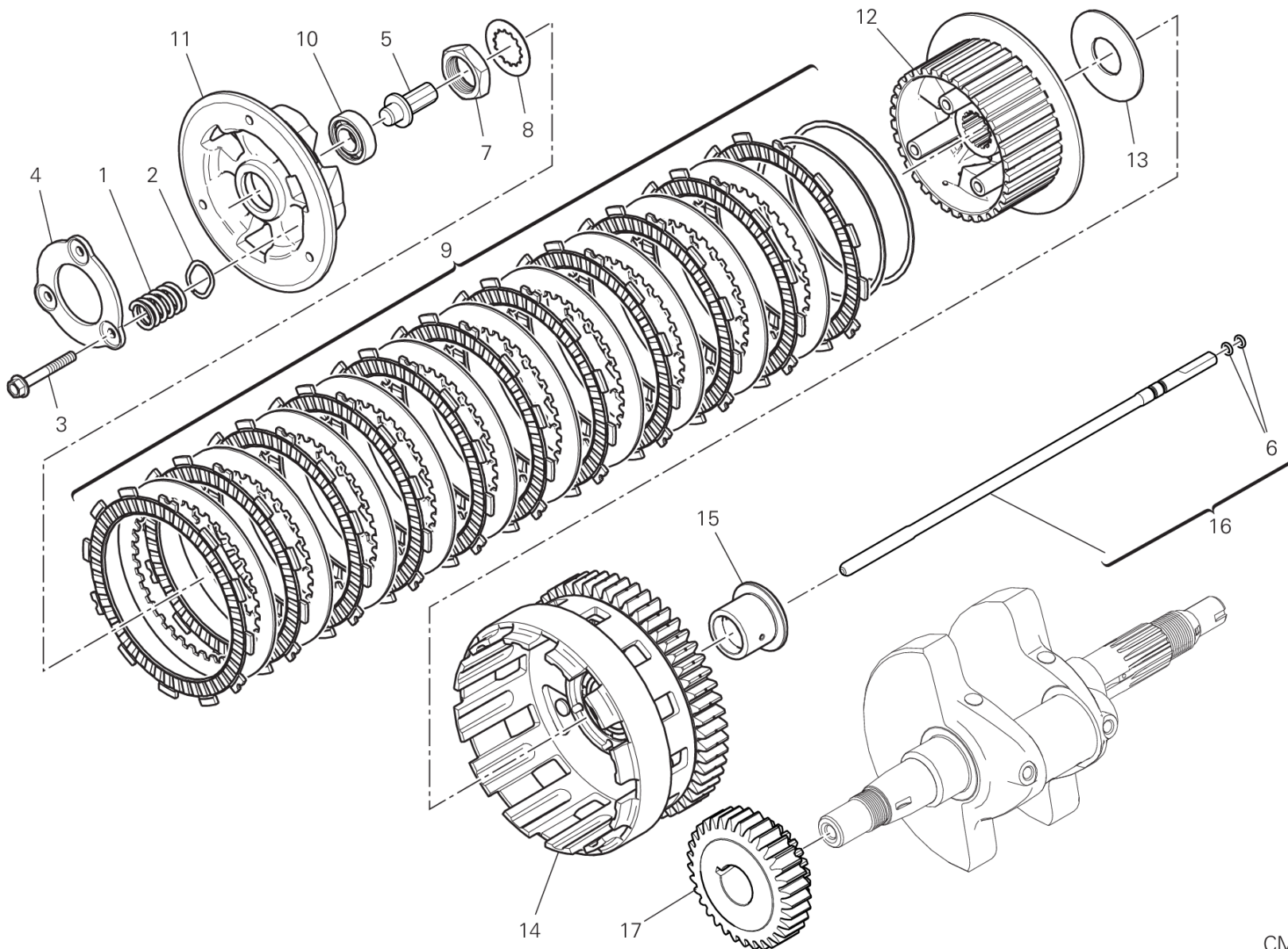
CMB00524

DRAWING 03A - GEAR BOX [MOD:SCR800DS]

GROUP ENGINE



POS.	CODE	DESCRIPTION	QTY	START DATE	END DATE	VALIDITY	NOTES
1	70140211A	BEARING, NEEDLE	1	24/12/2009			
2	14911081A	GEARBOX MAIN SHAFT	1	02/08/2013			
3	14911061A	DRIVEN SHAFT	1	01/09/2017			
4	70140051A	BEARING, NEEDLE	5	02/08/2013			
5	17214561A	GEAR DRIVE 5TH SPEED	1	02/08/2013			
6	85611261A	THRUST WASHER 0.5 MM	6	24/12/2009			
7	88210141A	SPRING RING	6	24/12/2009			
8	17214551A	GEAR, 3RD-4TH PINION	1	02/08/2013			
9	17214541A	GEAR DRIVE 6TH SPEED	1	02/08/2013			
10	17212581A	DRIVING GEAR 2ND	1	24/12/2009			
11	71310141E	THRUST WASHER 20.3X32X1.6	1	02/08/2013			
12	17214521A	DRIVEN GEAR 2ND SPEED	1	02/08/2013			
13	17211171A	DRIVEN GEAR 6TH SPEED:24	1	01/09/2017			
14	17212541A	DRIVEN GEAR 3RD SPEED	1	01/09/2017			
15	71312661A	THRUST WASHER 17.3X31X3.15	1	02/08/2013			
16	15021781A	COMPLETE LAY SHAFT	1	02/08/2013			
17	15021771A	COMPLETE MAIN SHAFT	1	02/08/2013			
18	17211121A	DRIVEN GEAR 1ST SP.	1	01/09/2017			
19	85611231A	THRUST WASHER 1 MM	1	24/12/2009			
20	17211161A	DRIVEN GEAR 5TH SPEED T22	1	02/08/2013			
21	17214571A	DRIVEN GEAR 4TH SPEED	1	01/09/2017			



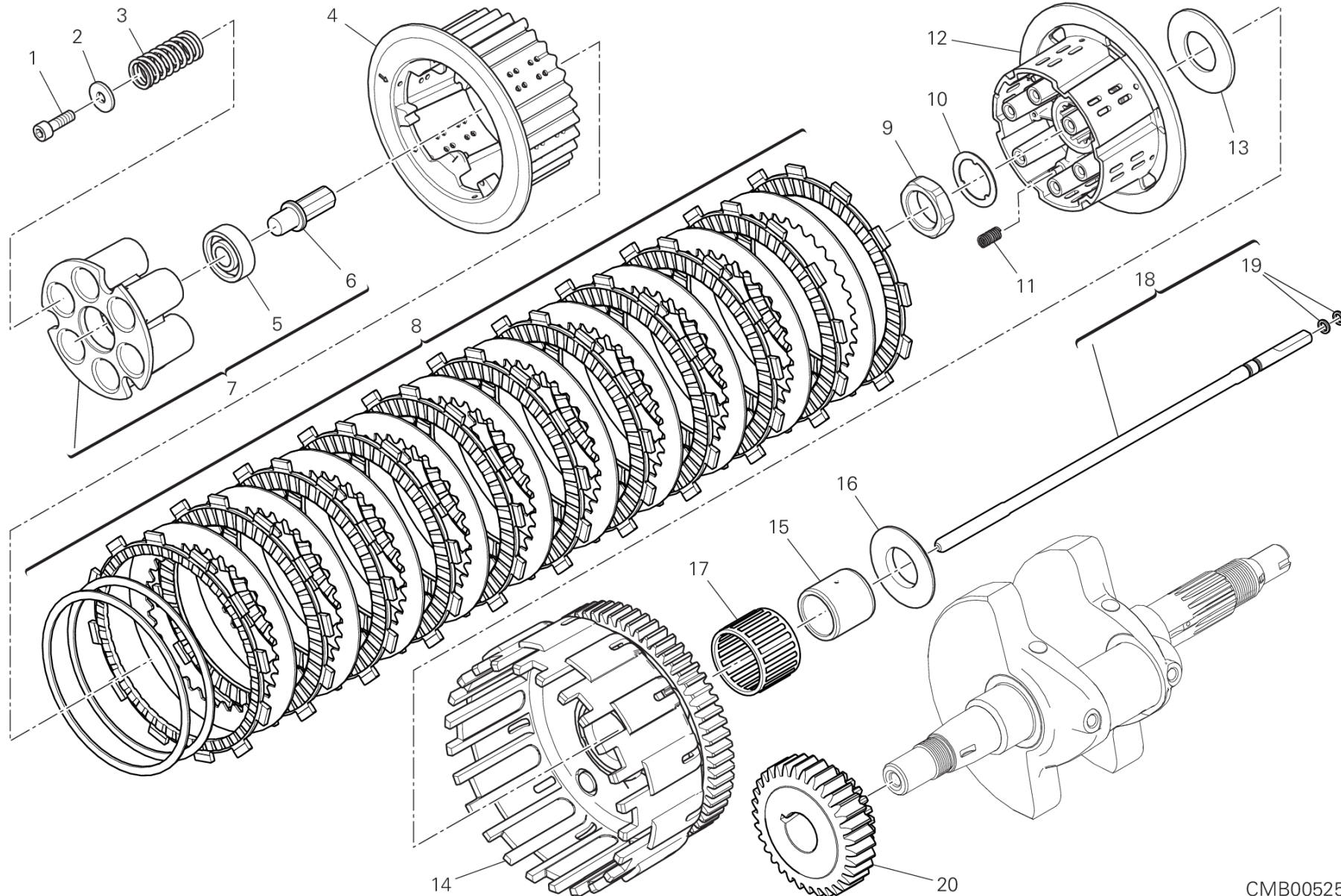
CMB00551

DRAWING 03B - CLUTCH (FCC) [MOD:SCR800DS]

GROUP ENGINE



POS.	CODE	DESCRIPTION	QTY	START DATE	END DATE	VALIDITY	NOTES
1	79710671A	SPRING	3	19/12/2016			
2	85611391B	THRUST WASHER	3	02/05/2012			
3	77211201A	SCREW	3	02/05/2012			
4	19410511A	RING	1	02/05/2012			
5	81810162A	CLUTCH CONTROL PIN (FCC)	1	25/03/2013			
6	88641731A	O-RING 1.78X4.76	2	18/07/2011			
7	75010071E	NUT M25X1.5	1	25/03/2013			
8	85110201A	LOCK WASHER	1	25/03/2013			
9	19020531A	CLUTCH DISC SET	1	02/05/2012			
10	70250601A	BEARING	1	02/05/2012			
11	19610542C	DISK, CLUTCH PRESSURE (FCC)	1	06/09/2013			
12	19610681A	PLATE HOLDER HUB (FCC)	1	06/10/2014			
13	71313091A	SPACER	1	02/05/2012			
14	19820441A	PRIMARY DRIVEN GEAR COMP.	1	06/09/2013			
15	71315901A	SPACER	1	17/10/2012			
16	11723621A	CLUTCH CONTROL ROD	1	19/12/2016			
17	17010511A	GEAR, PRIMARY DRIVE T25/33	1	06/10/2014			



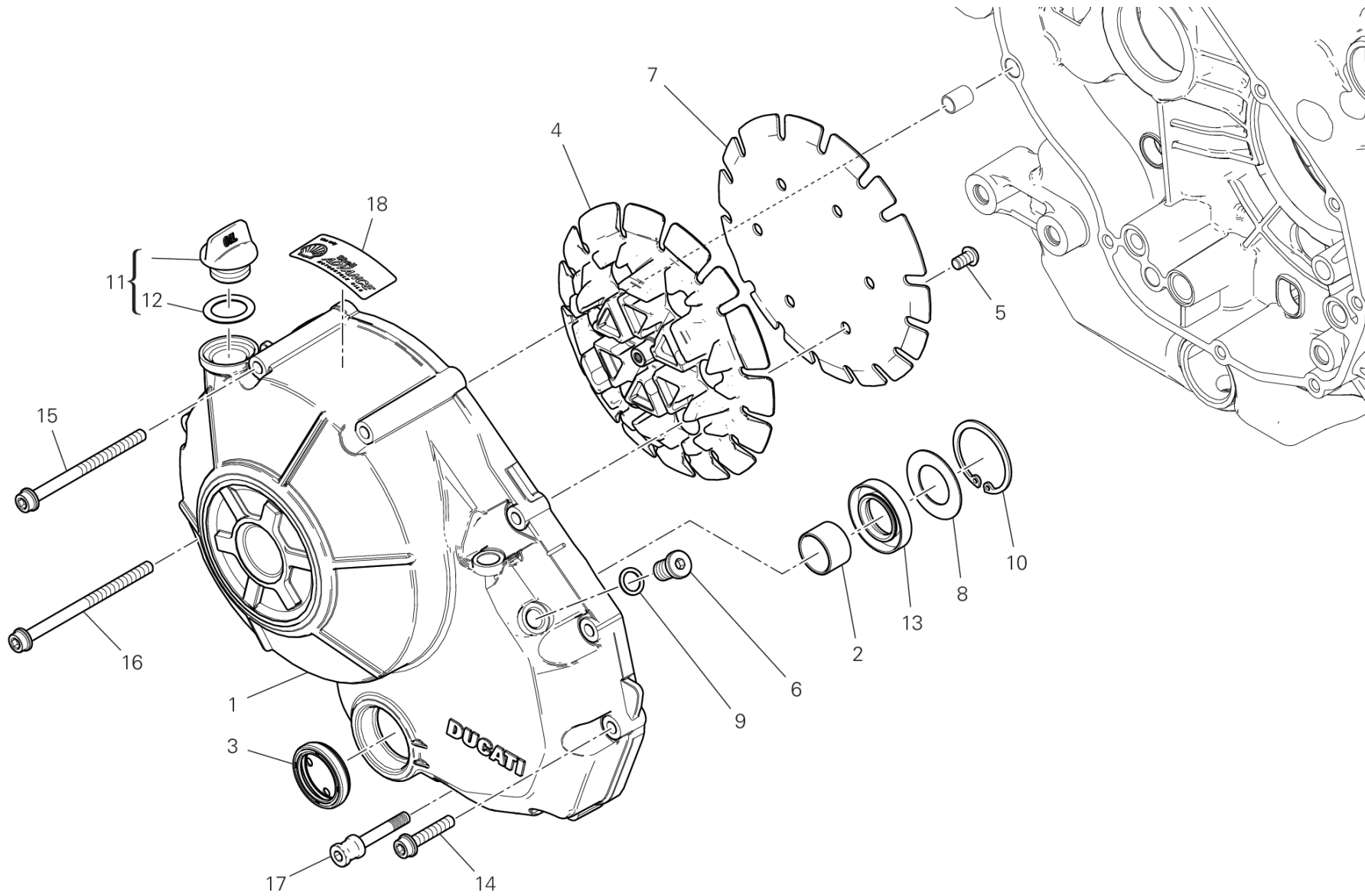
CMB00525

DRAWING 03C - CLUTCH (APTC) [MOD:SCR800DS]

GROUP ENGINE



POS.	CODE	DESCRIPTION	QTY	START DATE	END DATE	VALIDITY	NOTES
1	77150678B	SCREW TCEI M6X16	6	08/05/2013			
2	85211771A	WASHER 6.6X18X8	6	22/02/2012			
3	79710221A	CLUTCH SPRING	6	22/02/2012			
4	19610251A	BOSS, CLUTCH	1	24/12/2009			
5	70250381A	BEARING 12X32X10	1	24/12/2009			
6	81810511A	CLUTCH CONTROL PIN (ADLER)	1	16/03/2018			
7	19420711A	DISK, CLUTCH PRESSURE (Unit)	1	19/03/2018			
8	19020312A	CLUTCH DISC SET	1	28/10/2014			
9	75010071E	NUT M25X1.5	1	15/03/2013			
10	85110201A	LOCK WASHER	1	24/11/2014			
11	79710171A	SPRING	3	24/12/2009			
12	19610241A	CLUTCH DRUM	1	24/12/2009			
13	85610141A	WASHER, THRUST	1	24/12/2009			
14	19810331A	PRIMARY DRIVEN GEAR COMP.	1	24/12/2009			
15	88110261A	BEARING INNER RING	1	22/02/2012			
16	71311191A	SPACER	1	22/02/2012			
17	70250151A	BEARING, NEEDLE	1	24/12/2009			
18	11723621A	CLUTCH CONTROL ROD	1	23/11/2017			
19	88641731A	O-RING 1.78X4.76	2	21/02/2017			
20	17010511A	GEAR, PRIMARY DRIVE T25/33	1	19/02/2018			



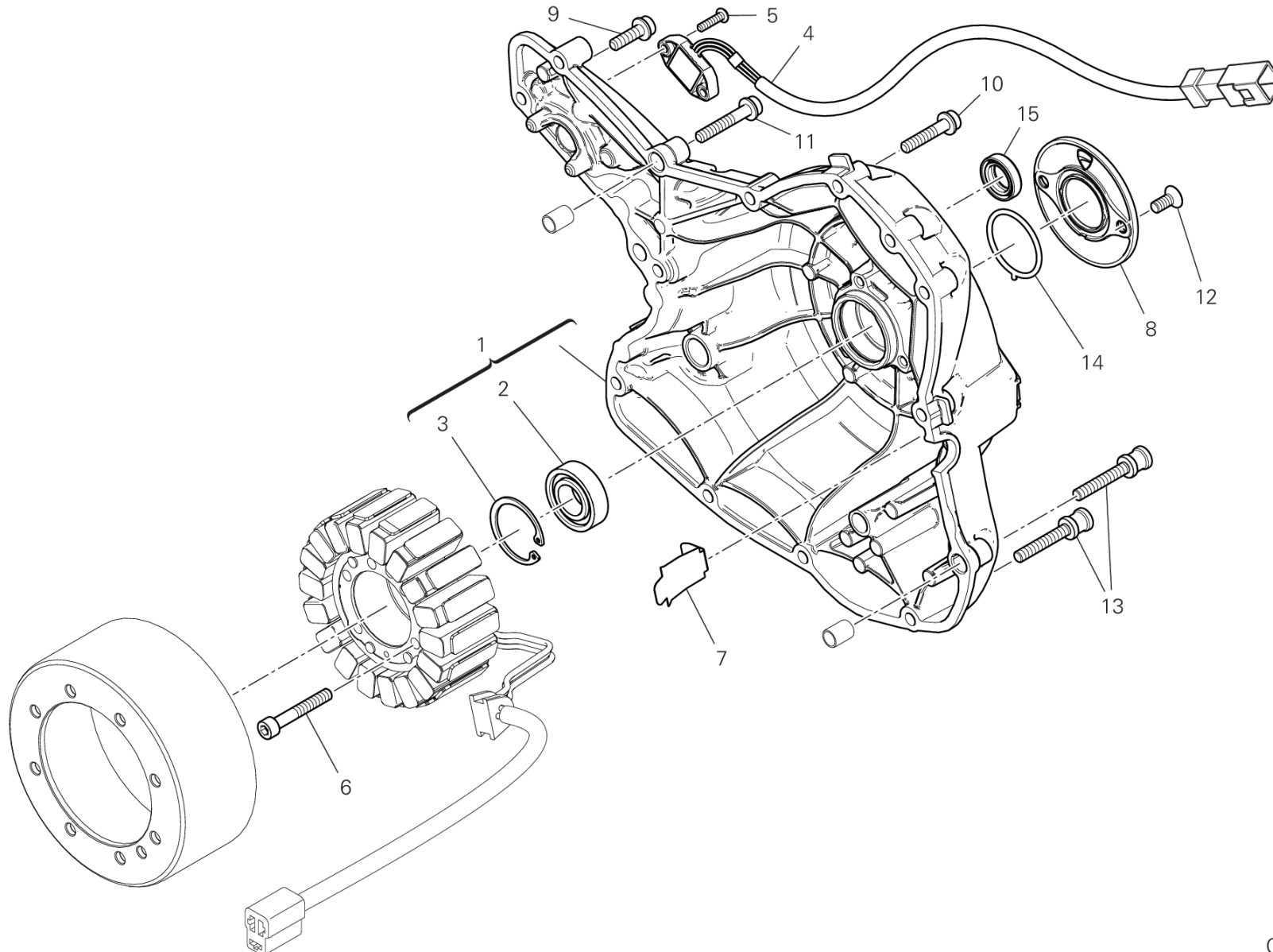
CRT00814

DRAWING 04A - CLUTCH COVER [MOD:SCR800DS]

GROUP ENGINE



POS.	CODE	DESCRIPTION	QTY	START DATE	END DATE	VALIDITY	NOTES
1	24314251AZ	CLUTCH COVER	1	30/10/2017			
2	066549680	BUSH	1	11/12/2016			
3	25440013A	WINDOW, OIL LEVEL CHECK	1	11/12/2016			
4	48611941A	DAMPER, SOUND ARRESTER	1	11/12/2016			
5	77510721A	SCREW	6	11/12/2016			
6	78011001B	PLUG, THREADED M10X1	1	11/12/2016			
7	8271F641A	SHEET ACOUSTIC DAMPER	1	11/12/2016			
8	85213601A	WASHER, THRUST 22x37.8x1	1	11/12/2016			
9	85250631A	WASHER	1	11/12/2016			
10	88450711A	SPRING RING	1	11/12/2016			
11	89320191A	PLUG ASSY	1	11/12/2016			
12	88642301A	O-RING	1	05/03/2014			
13	93040211A	OIL SEAL	1	11/12/2016			
14	77140717C	SCREW TCEIF M6X30 10.9	5	19/12/2016			
15	77140817C	SCREW TCEIF M6X80 10.9	3	19/12/2016			
16	77140837C	SCREW TCEIF M6X90 10.9	1	19/12/2016			
17	77916041D	SCREW, SPECIAL	1	10/04/2018			
18	43313911A	TRANSFER "SHELL ULTRA"	1	30/10/2017			



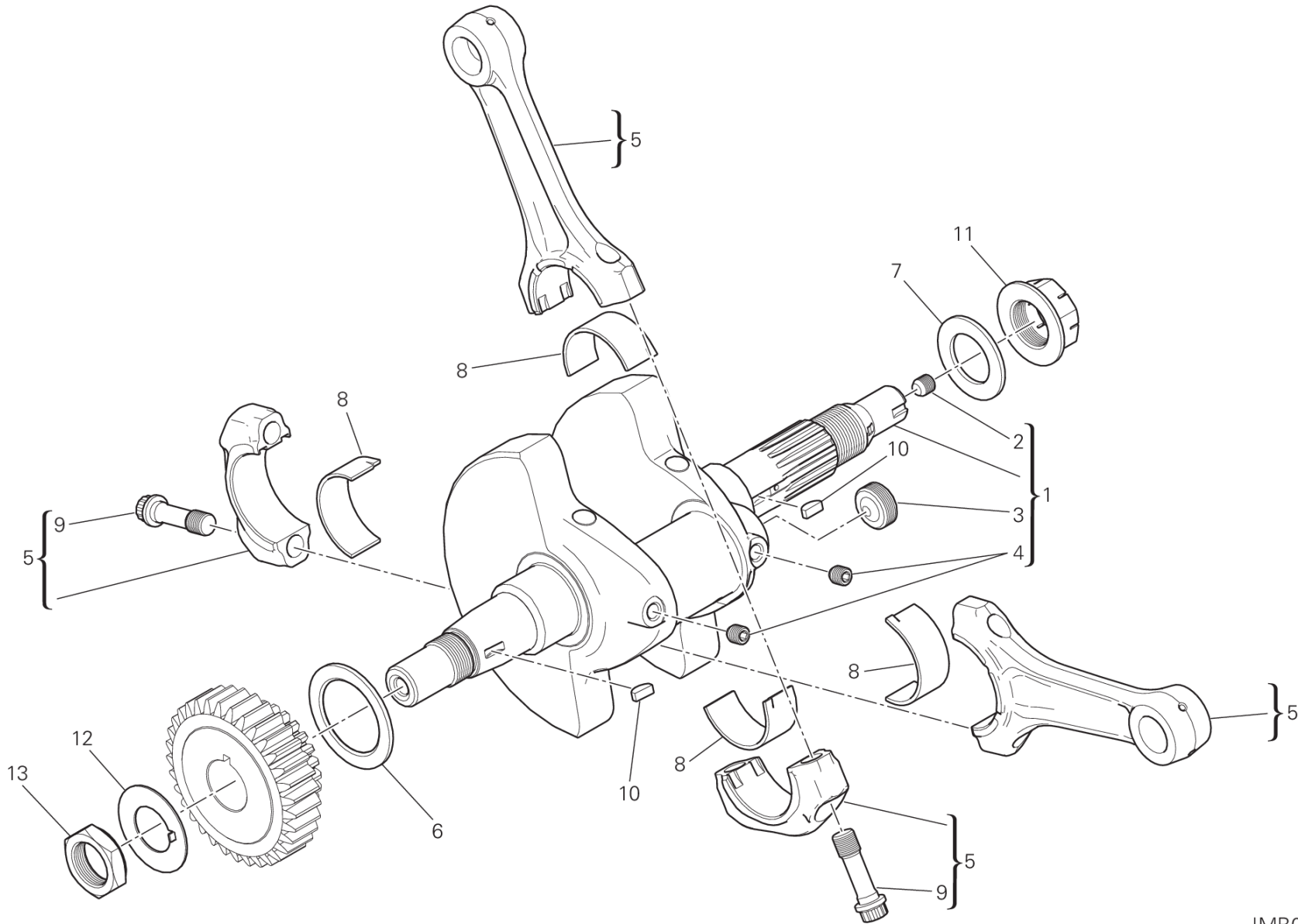
CRT00798

DRAWING 04B - GENERATOR COVER [MOD:SCR800DS]

GROUP ENGINE



POS.	CODE	DESCRIPTION	QTY	START DATE	END DATE	VALIDITY	NOTES
1	24221561AZ	GENERATOR COVER	1	19/12/2016			
2	70250081A	BALL BEARING 6003 TN9 C3	1	11/12/2016			
3	88450721A	SPRING RING	1	11/12/2016			
4	55243941B	GEARBOX POSITION SENSOR	1	04/12/2017			
5	72050069E	SCREW	2	19/12/2016			
6	77150738BC	SCREW	3	19/12/2016			
7	82716091A	PLATE	1	19/12/2016			
8	24714771AC	COVER	1	19/12/2016			
9	77140677C	SCREW	2	19/12/2016			
10	77140717C	SCREW TCEIF M6X30 10.9	8	01/02/2018			
11	77140727C	SCREW	1	01/02/2018			
12	77750498C	SCREW TSPEI M6X14	2	19/12/2016			
13	77916041D	SCREW, SPECIAL	3	01/02/2018			
14	88610951A	O-RING 32.99X2.62	1	19/12/2016			
15	937831524	OIL SEAL	1	26/09/2017			



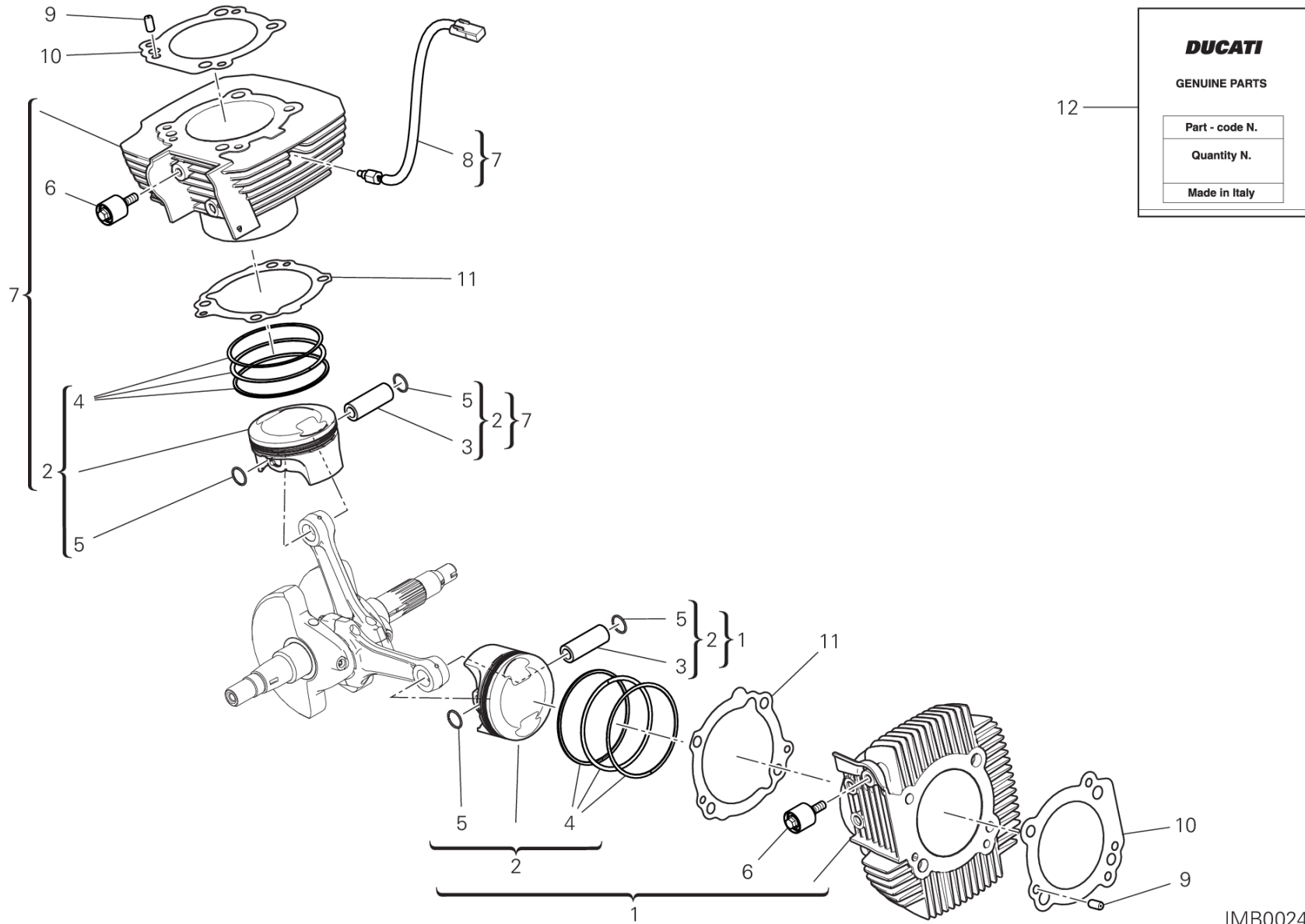
IMB00248

DRAWING 05A - CONNECTING RODS [MOD:SCR800DS]

GROUP ENGINE



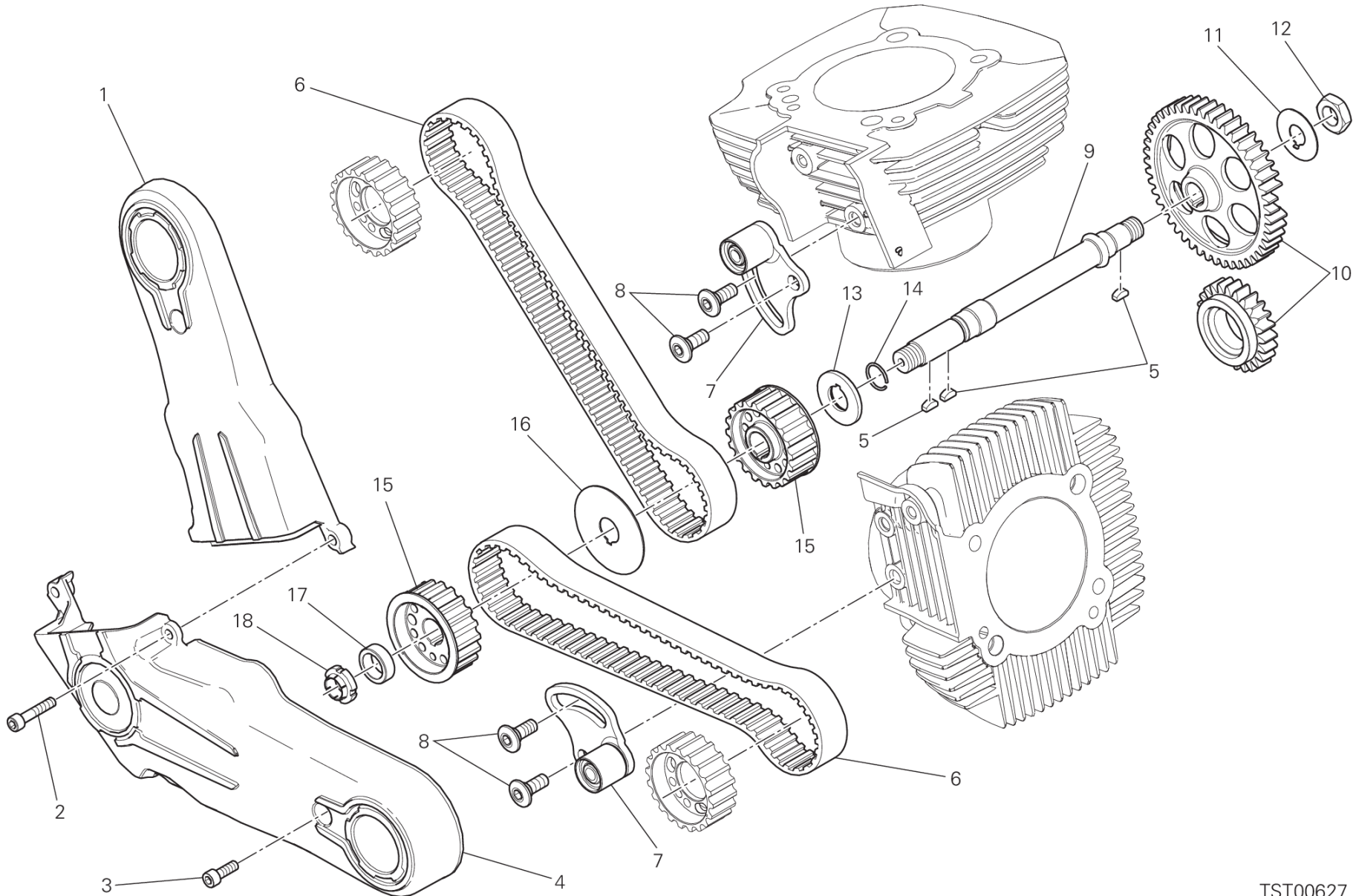
POS.	CODE	DESCRIPTION	QTY	START DATE	END DATE	VALIDITY	NOTES
1	14621923AR	DRIVE SHAFT COMPLETO	1	04/11/2014			
2	77911092A	SCREW, SPECIAL	1	14/09/2012			
3	78010161B	THREADED PLUG	1	07/09/2016			
4	77915471A	THREADED DOWEL STEI M8X8	2	14/09/2012			
5	15620822AA	CONNECTING ROD (Class 1-2)	2	23/11/2017			
	15620822AB	CONNECTING ROD (Class 3-4)	2	23/11/2017			
	15620822AC	CONNECTING ROD (Class 5-6)	2	23/11/2017			
6	85212881A	THRUST WASHER 50X35X1.9	1				
	85212881B	THRUST WASHER 50X35X1.95	1				
	85212881C	SHIM 50X35X2	1				
	85212881D	SHIM 50X35X2.05	1				
	85212881E	THRUST WASHER 50X35X2.1	1				
	85212881F	SHIM 50X35X2.15	1				
	85212881G	SHIM 50X35X2.2	1				
	85212881H	THRUST WASHER 50X35X2.25	1				
	85212881I	THRUST WASHER 50X35X2.3	1				
	85212881J	THRUST WASHER 50X35X2.35	1				
	85212881K	THRUST WASHER 50X35X2.4	1				
	85212881L	THRUST WASHER 50X35X2.45	1				
	85212881M	THRUST WASHER 50X35X2.5	1				
	85212881N	THRUST WASHER 50X35X2.55	1				
7	85212691A	WASHER	1	01/01/2013			
8	11210801AA	HALF-BEARING RED	2	02/12/2011			
	11210801AB	HALF-BEARING BLUE	2	02/12/2011			
9	77914045B	BOLT, CONNECTING ROD	4	06/11/2017			
10	68010131A	KEY, WOODRUFF 4X5X10	2	19/09/2011			
11	75010121D	NUT, SPECIAL	1	01/01/2013			
12	85110191A	WASHER, LOCK	1	19/09/2011			
13	75011611A	NUT	1	19/09/2011			



IMB00249



POS.	CODE	DESCRIPTION	QTY	START DATE	END DATE	VALIDITY	NOTES
1	12022922AB	HORIZONTAL CYLINDER-PISTON FIT	1	23/11/2017			
2	12221612C	PISTON ASSY	2	10/01/2017			
3	12113031A	PISTON PIN	2	11/02/2016			
4	12120531B	PISTON RING SET	2	11/02/2016			
5	12111741A	CIRCLIP, PISTON PIN	4	11/02/2016			
6	45120211A	TENSIONER TIMING BELT FIXED	2	21/04/2017			
7	12022912AB	VERTICAL CYLINDER-PISTON FIT	1	23/11/2017			
8	55241452A	SENSOR, TEMPERATURE	1	19/12/2016			
9	71111721A	PIN DOWEL	2	23/11/2017			
10	78611041A	GASKET, CYLINDER HEAD	2	23/11/2017			
11	78610851A	CYLINDER-CRANKCASE GASKET	2	23/11/2017			
12	79120462B	GASKETS SET	1	23/11/2017			



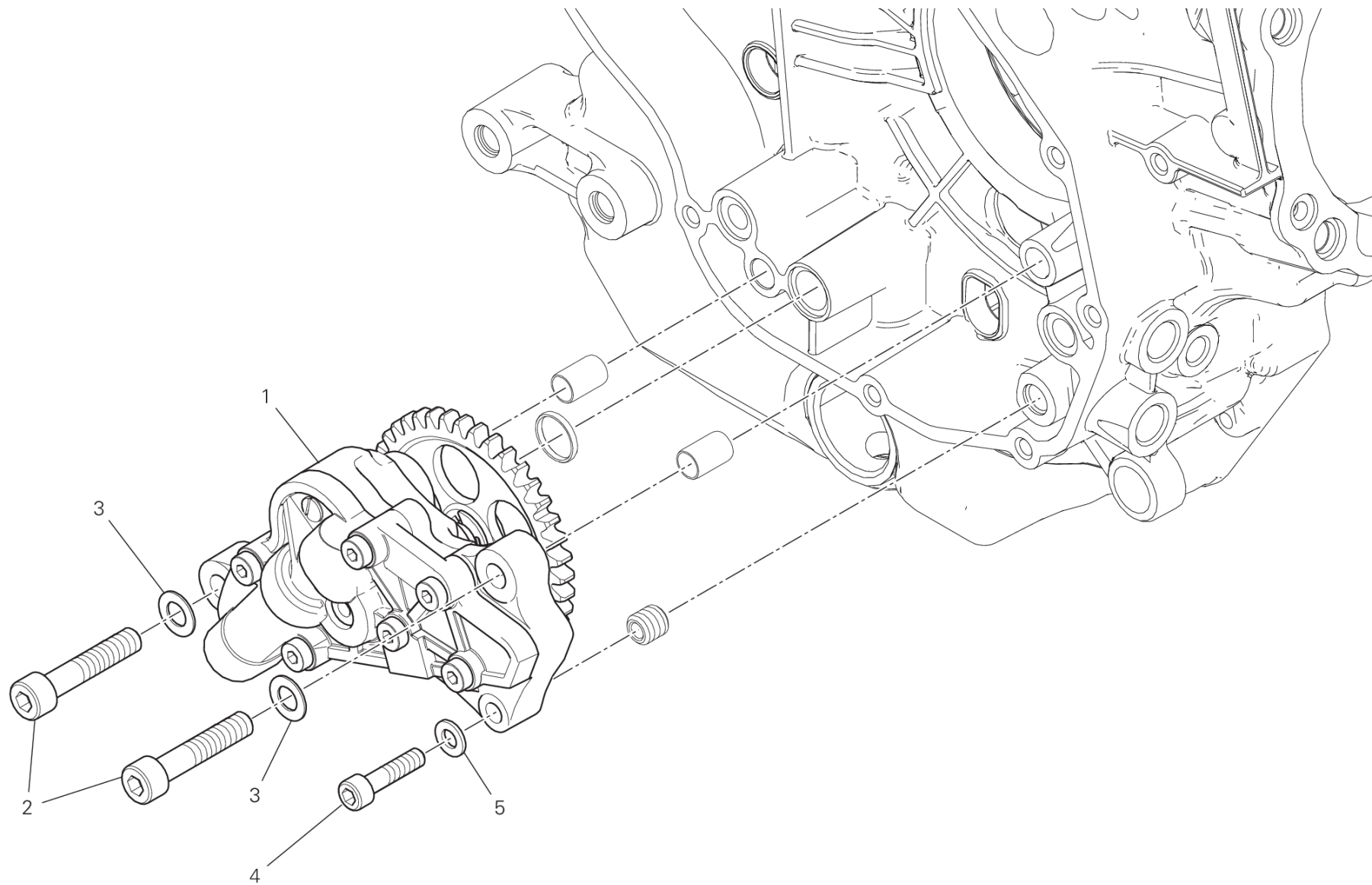
TST00627

DRAWING 07A - TIMING SYSTEM [MOD:SCR800DS]

GROUP ENGINE



POS.	CODE	DESCRIPTION	QTY	START DATE	END DATE	VALIDITY	NOTES
1	24510791B	VERTICAL TIMING BELT COVER	1	21/03/2018		XST:ROK	
	24511522AD	VERTICAL TIMING BELT COVER	1	23/11/2017		XST:EUR,GSO	
2	77110521A	SCREW TCEI M6X30	3	15/03/2012			
3	77110491A	SCREW TCEI M6X18	2	15/03/2012			
4	24510801A	HORIZONTAL TIMING BELT COVER	1	21/03/2018		XST:ROK	
	24511511AD	HORIZONTAL TIMING BELT COVER	1	23/11/2017		XST:EUR,GSO	
5	68010131A	KEY, WOODRUFF 4X5X10	3	15/03/2012			
6	73740242A	TIMING DRIVE TOOTHED BELT	2	04/11/2014			
7	45120201A	TENSIONER, TIMING BELT MOVABLE	2	15/03/2012			
8	77210103A	SCREW	4	15/03/2012			
9	147Z0011A	LAY SHAFT	1	15/03/2012			
10	17121081A	TIMING GEARS SET	1	27/02/2012			
11	85110131A	WASHER, LOCK	1	15/03/2012			
12	75011601A	NUT M14X1X7	1	15/03/2012			
13	71610732A	SPACER	1	15/03/2012			
14	88210031A	SNAP RING	1	15/03/2012			
15	25510233A	TIMING BELT PULLEY, DRIVE T20	2	15/03/2012			
16	85610623A	WASHER, BELT PULLEY	1	15/03/2012			
17	71610991B	SPACER	1	15/03/2012			
18	70350062A	ELASTIC-STOP RING NUT	1	15/03/2012			



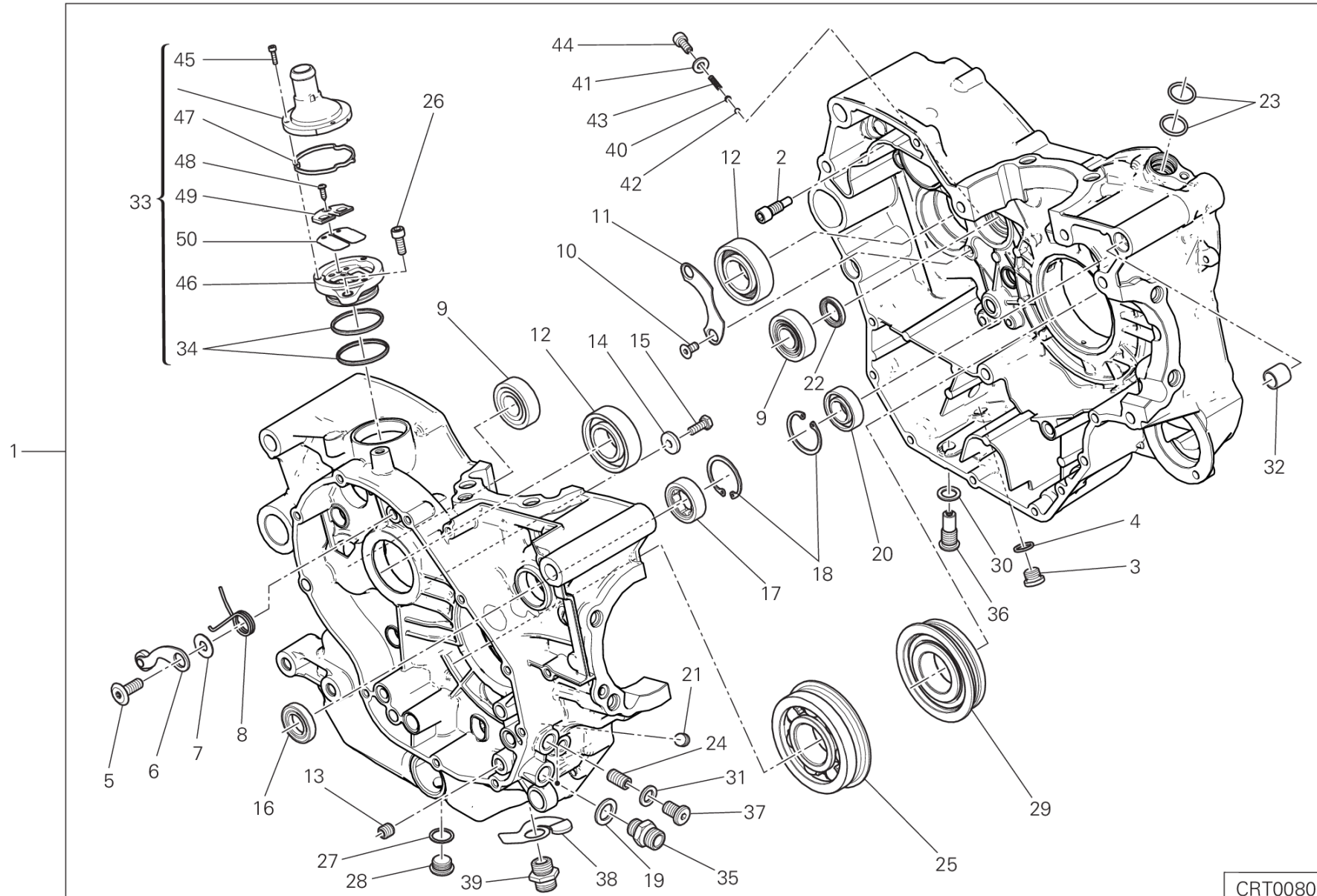
RAF00638

DRAWING 08A - OIL PUMP [MOD:SCR800DS]

GROUP ENGINE



POS.	CODE	DESCRIPTION	QTY	START DATE	END DATE	VALIDITY	NOTES
1	17420433A	OIL PUMP ASSY	1	21/03/2017			
2	77151298B	SCREW TCEI M8X40	2	15/03/2012			
3	85310021A	SPRING WASHER 8 MM	2	15/03/2012			
4	77110518B	SCREW TCEI M6X25	1	20/03/2014			
5	85310041A	SPRING WASHER 6 MM	1	15/03/2012			



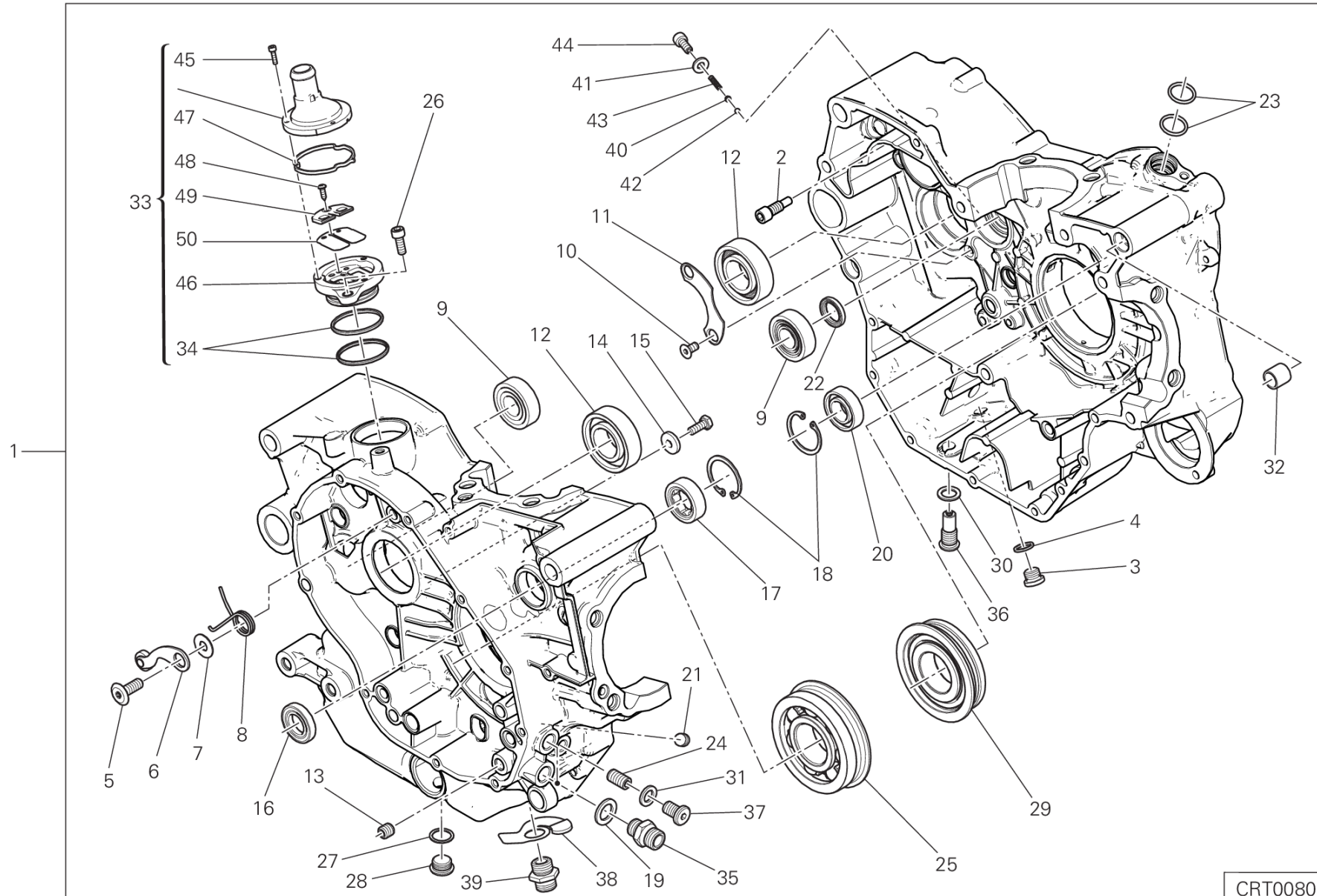
CRT00801

DRAWING 09A - HALF-CRANKCASES PAIR [MOD:SCR800DS]

GROUP ENGINE



POS.	CODE	DESCRIPTION	QTY	START DATE	END DATE	VALIDITY	NOTES
1	22523721A	COMPLETE HALF-CRANKCASES PAIR	1	01/06/2018			
2	77919881A	SCREW, SPECIAL	2	07/11/2017			
3	77910262A	SCREW M12X1	1	13/10/2014			
4	85250261A	GASKET, ALUMINIUM 12X16X1.5	1	08/10/2014			
5	77910391A	SCREW M8X21.5	1	08/10/2014			
6	45520181A	GEAR FIXING CLICK ASSEMBLY	1	13/10/2014			
7	85210532A	WASHER 8.2X20X1	1	13/10/2014			
8	79910491A	SPRING, RETURN	1	08/10/2014			
9	70240401A	BEARING	2	22/02/2012			
10	720941616	SCREW TSPEI M6X12	2	22/02/2012			
11	036749275	PLATE, RETAINER	1	22/02/2012			
12	751202567	BEARING	2	22/02/2012			
13	067049310	BUSH	1	13/10/2014			
14	71311401A	SPACER	2	22/02/2012			
15	77052508B	SCREW TE M6X16	2	22/02/2012			
16	93041631B	SEAL RING	1	07/11/2017			
17	757941542	BEARING	1	22/02/2012			
18	735033380	CIRCLIP	2	22/02/2012			
19	78710111A	GASKET, ALUMINIUM 14X22X2	2	22/02/2012			
20	70250081A	BALL BEARING 6003 TN9 C3	1	22/02/2012			
21	77950621A	THREADED DOWEL M10X1	1	22/02/2012			
22	93041611A	SEAL RING	1	13/10/2014			
23	88640331A	O-RING 17.96X2.62	2	22/02/2012			
24	77840041A	THREADED DOWEL M10X1	1	08/10/2014			
25	70240931A	BEARING 35X85X23	1	22/02/2012			
26	77150658B	SCREW TCEI M6X16	1	22/02/2012			
27	85211201A	ALUMINIUM GASKET	1	08/10/2014			
28	77911982A	THREADED PLUG M15X1	1	13/10/2014			
29	70240921A	BEARING 35X78X19	1	22/02/2012			
30	85250421A	COPPER GASKET 12.2X18X1.5 MM	1	22/02/2012			
31	85211951A	GASKET 10.5X17X2	1	08/10/2014			
32	71110951A	PIN DOWEL	2	22/02/2012			
33	59320621B	BREATHER VALVE	1	22/02/2012			
34	46320222A	O-RING	2	02/04/2010			
35	81510221A	NIPPLE, HOSEM14X1.5	2	22/02/2012			



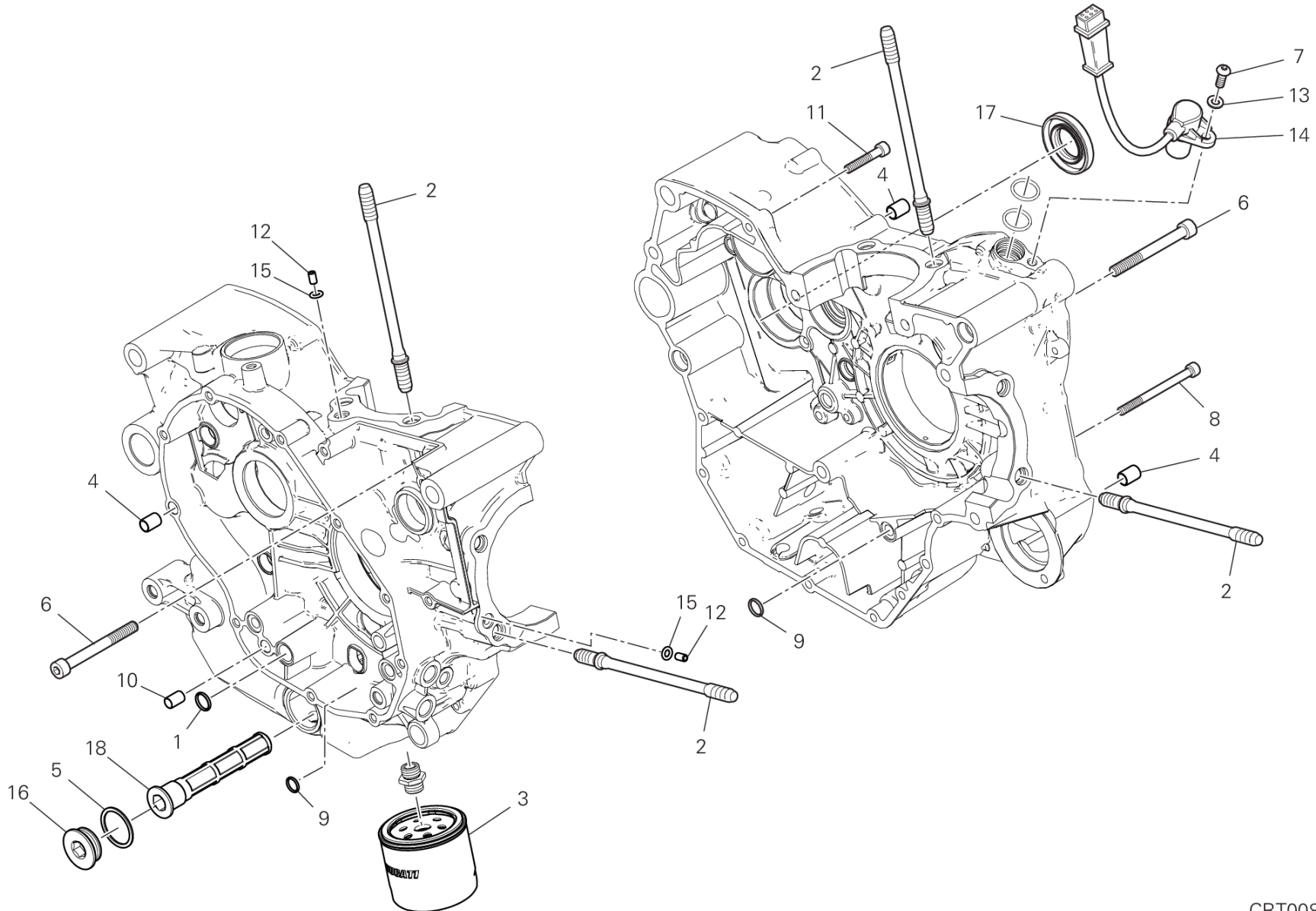
CRT00801

DRAWING 09A - HALF-CRANKCASES PAIR [MOD:SCR800DS]

GROUP ENGINE



POS.	CODE	DESCRIPTION	QTY	START DATE	END DATE	VALIDITY	NOTES
36	89320062A	PLUG, OIL DRAIN	1	22/02/2012			
37	77911622A	SCREW TCEI M10X1.5X16	1	13/10/2014			
38	79920772A	BYPASS SPRING	1	08/10/2014			
39	81510281A	BOLT UNION	1	08/10/2014			
40	83110151A	PLATE	1	14/03/2013			
41	85212461A	WASHER, BRASS 6X13X2 MM	1	05/03/2012			
42	84740061A	BALL	1	22/02/2012			
43	79940121A	SPRING	1	22/02/2012			
44	77916501AE	SCREW, SPECIAL	1	05/03/2012			
45	77150068B	SCREW	3	07/12/2010			
46	59310601B	HOLDER READ VALVE	1	02/04/2010			
47	78811151A	GASKET	1	02/04/2010			
48	77250341B	SCREW, TAPPING 3.5X12	1	02/04/2010			
49	82716031A	SPACER	1	02/04/2010			
50	81110021A	REED VALVE ASSY	1	02/04/2010			



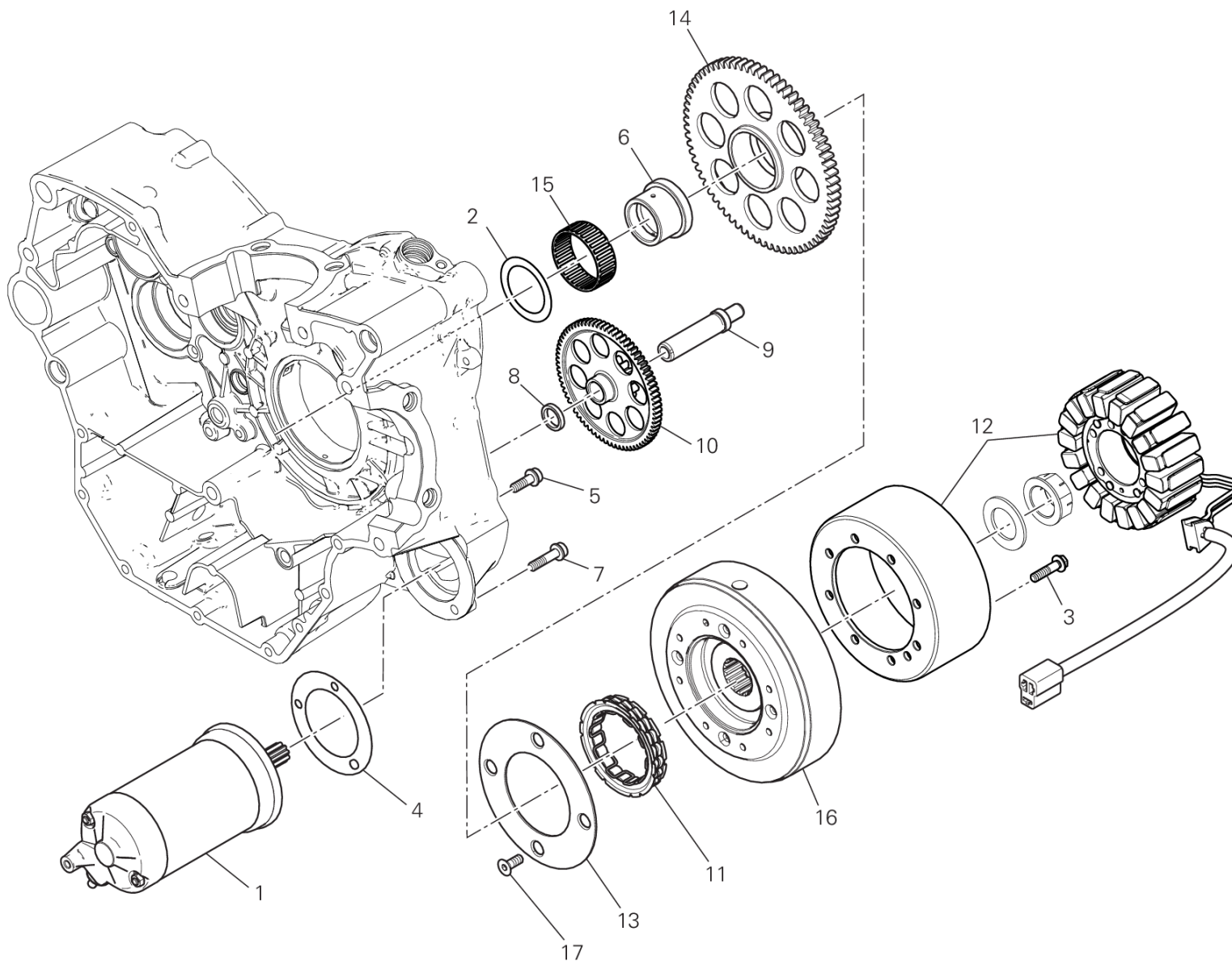
CRT00800

DRAWING 09B - HALF-CRANKCASES PAIR [MOD:SCR800DS]

GROUP ENGINE



POS.	CODE	DESCRIPTION	QTY	START DATE	END DATE	VALIDITY	NOTES
1	88640371A	O-RING	1	23/11/2017			
2	76610671C	STUD BOLT FASTENING HEAD CYLINDER	8	23/11/2017			
3	44440038A	FILTER, OIL	1	06/12/2017			
4	71111601A	PIN DOWEL	3	19/12/2016			
5	85250051A	GASKET 32X38X1.5	1	19/12/2016			
6	77151368B	SCREW TCEI M8X75	7	16/04/2013			
7	77550211A	SCREW TBEI M6X16	1	23/09/2011			
8	77150808B	SCREW TCEI M6X75	2	16/04/2013			
9	88641321A	O-RING	3	16/04/2013			
10	075949280	LOCATING DOWEL	2	23/11/2017			
11	77150728B	SCREW TCEI M6X35	7	16/04/2013			
12	71111281A	PIN DOWEL	2	19/12/2016			
13	85310031A	SPRING WASHER 6 MM	1	16/04/2013			
14	55241321C	SENSOR, TIMING & RPM	1	16/04/2013			
15	88641991A	O-RING	2	16/04/2013			
16	87310371A	THREADED PLUG M32X1.5	1	19/12/2016			
17	93041651A	SEAL RING	1	23/11/2017			
18	89420091A	STRAINER, OIL	1	23/11/2017			



IMPO1140

DRAWING 10A - ELECTRIC STARTING AND IGNITION [MOD:SCR800DS]

GROUP ENGINE

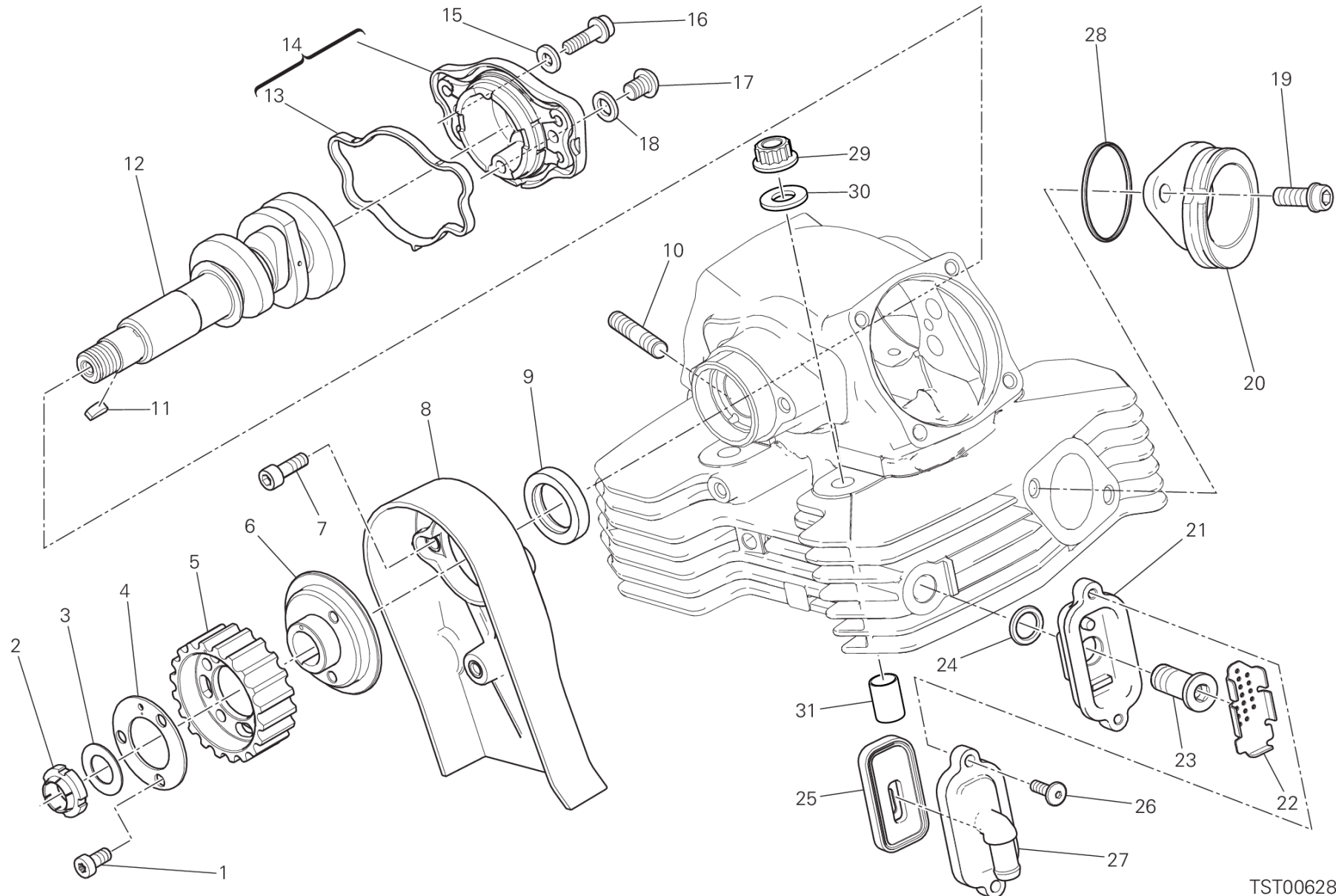


POS.	CODE	DESCRIPTION	QTY	START DATE	END DATE	VALIDITY	NOTES
1	27040107A	STARTING MOTOR	1	07/03/2018			
2	061950065	THRUST WASHER 35.5X48	1	23/11/2017			
3	77253300ZF	SCREW	8	14/09/2016			
4	78810542A	ENGINE STARTER GASKET	1	21/03/2013			
5	77140677CF	SCREW TCEIF M6X20	2	07/03/2018			
6	88110341A	BUSH	1	16/10/2017			
7	77140697CF	SCREW 6x25	1	02/02/2015			
8	71319191A	SPACER	1	21/03/2013			
9	82113471A	STARTER REDUCTION SHAFT	1	21/03/2013			
10	176Z0021A	IDLE GEAR T74/13	1	21/03/2013			
11	70140471A	CLUTCH, ONE WAY	1	14/09/2016			
12	26420471A	GENERATOR DENSO	1	19/12/2016			
13	160Z0041A	PLATE CLUTCH, ONE WAY	1	14/09/2016			
14	17310291A	ELECTRIC STARTER DRIVEN GEAR	1	14/09/2016			
15	70140031A	BEARING, NEEDLE	1	23/11/2017			
16	276Z0061A	IGNITION FLYWHEEL	1	14/09/2016			
17	77750508CC	SCREW	4	14/09/2016			



DRAWING 11A - VERTICAL CYLINDER HEAD - TIMING [MOD:SCR800DS]

GROUP ENGINE



TST00628

DRAWING 11A - VERTICAL CYLINDER HEAD - TIMING [MOD:SCR800DS]

GROUP ENGINE

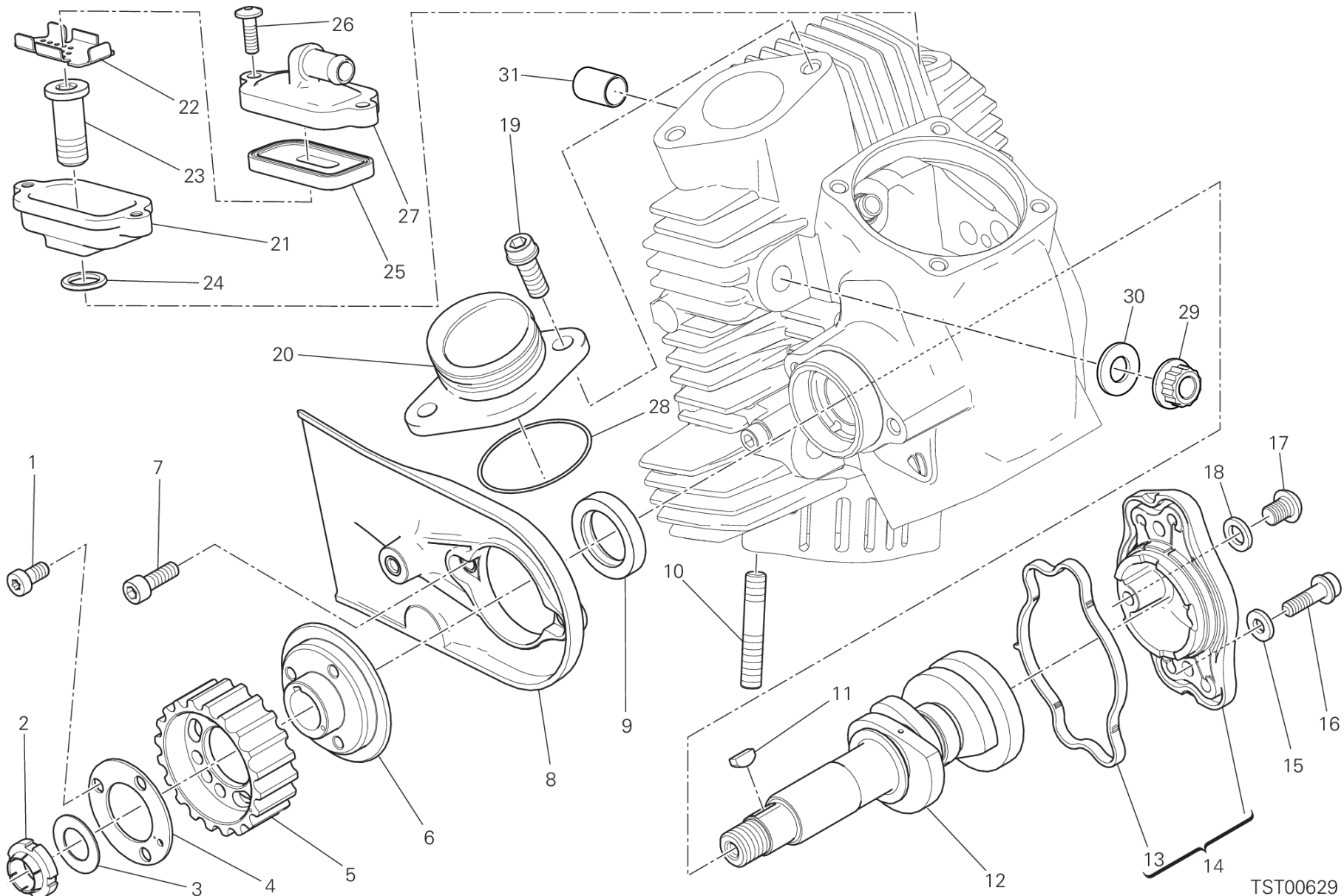


POS.	CODE	DESCRIPTION	QTY	START DATE	END DATE	VALIDITY	NOTES
1	77950302A	SCREW TC M6X12	3	05/04/2011			
2	70350062A	ELASTIC-STOP RING NUT	1	02/07/2015			
3	85211731A	WASHER 15.2X24X1	1	17/11/2010			
4	85610743A	WASHER, SPECIAL	1	05/04/2011			
5	25510243A	TIMING BELT PULLEY, DRIVEN T20	1	05/04/2011			
6	16011051A	RING, REAR PULLEY	1	05/04/2011			
7	77110491A	SCREW TCEI M6X18	2	17/11/2010			
8	24510812A	VERTICAL BELT INTERNAL COVER	1	17/11/2010			
9	93041621B	SEAL RING	1	03/11/2014			
10	76640172A	STUD BOLT M8X30	2	17/11/2010			
11	68010131A	KEY, WOODRUFF 4X5X10	1	17/11/2010			
12	14814921A	VERTICAL HEAD CAMSHAFT	1	07/05/2014			
13	78811111C	GASKET	1	01/05/2010			
14	23520421A4	SIDE CAP	1	18/01/2018			
15	85212461A	WASHER, BRASS 6X13X2 MM	2	17/11/2010			
16	77113861A	SCREW	2	17/11/2010			
17	77510661A	SCREW	1	15/03/2012			
18	85212971A	COPPER GASKET	1	15/03/2012			
19	77157238B	SCREW TCEIF M8X20	2	07/05/2014			
20	16014781A	INTAKE MANIFOLD	1	07/05/2014			
21	16311231A	HOLDER VALVE	1	03/11/2014			
22	82716351A	PLATE	1	03/11/2014			
23	77918701A	SCREW, SPECIAL	1	03/11/2014			
24	88640991A	O-RING	1	03/11/2014			
25	81140012B	VALVE	1	03/11/2014			
26	77240288C	SCREW	2	03/11/2014			
27	24714081A	COVER	1	03/11/2014			
28	46320222A	O-RING	1	03/11/2014			
29	74810501A	NUT M10X1.5	4	23/11/2017			
30	85610642A	WASHER, SPECIAL 10.5X21X2	4	23/11/2017			
31	71111261A	BUSH	2	23/11/2017			



DRAWING 11B - HORIZONTAL HEAD – TIMING SYSTEM [MOD:SCR800DS]

GROUP ENGINE



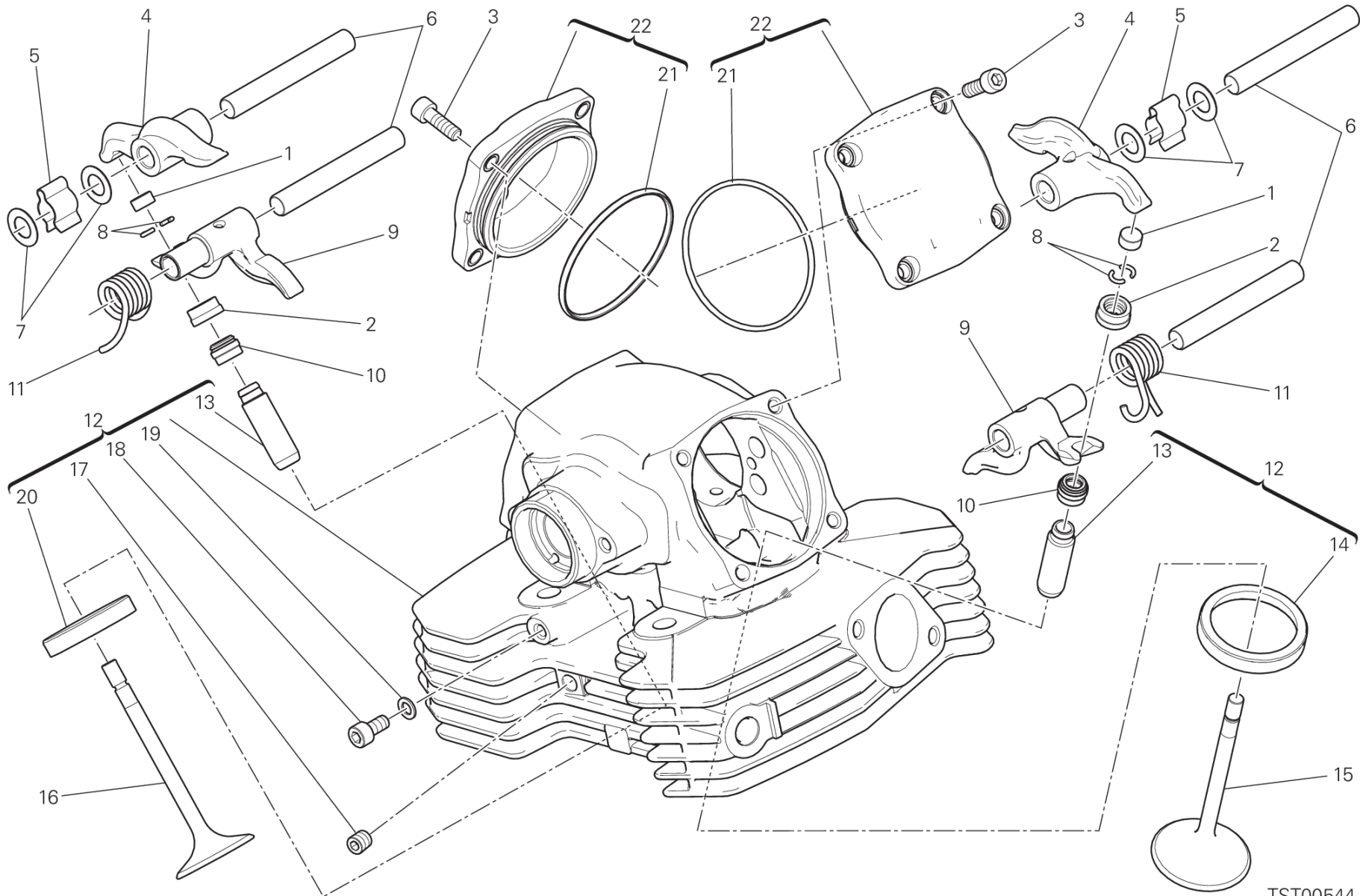
TST00629

DRAWING 11B - HORIZONTAL HEAD – TIMING SYSTEM [MOD:SCR800DS]

GROUP ENGINE



POS.	CODE	DESCRIPTION	QTY	START DATE	END DATE	VALIDITY	NOTES
1	77950302A	SCREW TC M6X12	3	05/04/2011			
2	70350062A	ELASTIC-STOP RING NUT	1	03/11/2014			
3	85211731A	WASHER 15.2X24X1	1	17/11/2010			
4	85610743A	WASHER, SPECIAL	1	05/04/2011			
5	25510243A	TIMING BELT PULLEY, DRIVEN T20	1	05/04/2011			
6	16011051A	RING, REAR PULLEY	1	05/04/2011			
7	77110491A	SCREW TCEI M6X18	2	17/11/2010			
8	24510822A	HORIZONTAL BELT INTERNAL COVER	1	03/11/2014			
9	93041621B	SEAL RING	1	03/11/2014			
10	76640172A	STUD BOLT M8X30	2	17/11/2010			
11	68010131A	KEY, WOODRUFF 4X5X10	1	17/11/2010			
12	14814911A	HORIZONTAL HEAD CAMSHAFT	1	03/11/2014			
13	78811111C	GASKET	1	01/05/2010			
14	23520421A4	SIDE CAP	1	18/01/2018			
15	85212461A	WASHER, BRASS 6X13X2 MM	2	17/11/2010			
16	77113861A	SCREW	2	17/11/2010			
17	77510661A	SCREW	1	15/03/2012			
18	85212971A	COPPER GASKET	1	15/03/2012			
19	77157238B	SCREW TCEIF M8X20	2	07/05/2014			
20	16014781A	INTAKE MANIFOLD	1	07/05/2014			
21	16311231A	HOLDER VALVE	1	03/11/2014			
22	82716351A	PLATE	1	03/11/2014			
23	77918701A	SCREW, SPECIAL	1	03/11/2014			
24	88640991A	O-RING	1	03/11/2014			
25	81140012B	VALVE	1	03/11/2014			
26	77240288C	SCREW	2	03/11/2014			
27	24714081A	COVER	1	03/11/2014			
28	46320222A	O-RING	1	03/11/2014			
29	74810501A	NUT M10X1.5	4	23/11/2017			
30	85610642A	WASHER, SPECIAL 10.5X21X2	4	23/11/2017			
31	71111261A	BUSH	2	23/11/2017			



TST00544

DRAWING 11C - VERTICAL HEAD [MOD:SCR800DS]

GROUP ENGINE

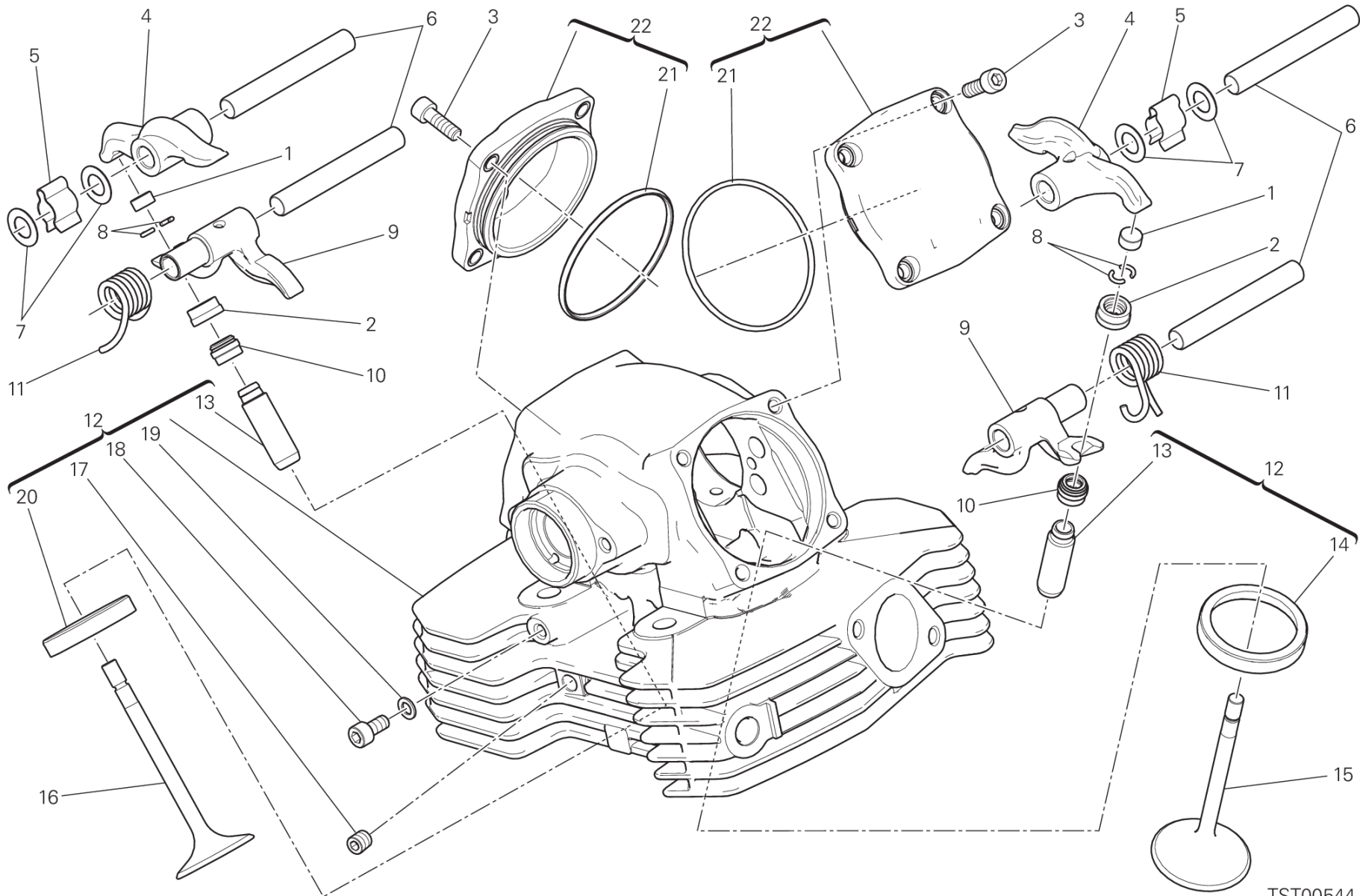


POS.	CODE	DESCRIPTION	QTY	START DATE	END DATE	VALIDITY	NOTES
1	84010012A	ADJUSTER, OPENING ROCKER ARM 2.00 MM	2				
	84010022A	ADJUSTER, OPENING ROCKER ARM 2.05 MM	2				
	84010032A	ADJUSTER, OPENING ROCKER ARM 2.10 MM	2				
	84010042A	ADJUSTER, OPENING ROCKER ARM 2.15 MM	2				
	84010052A	ADJUSTER, OPENING ROCKER ARM 2.20 MM	2				
	84010062A	ADJUSTER, OPENING ROCKER ARM 2.25 MM	2				
	84010072A	ADJUSTER, OPENING ROCKER ARM 2.30 MM	2				
	84010082A	ADJUSTER, OPENING ROCKER ARM 2.35 MM	2				
	84010092A	ADJUSTER, OPENING ROCKER ARM 2.40 MM	2				
	84010102A	ADJUSTER, OPENING ROCKER ARM 2.45 MM	2				
	84010112A	ADJUSTER, OPENING ROCKER ARM 2.50 MM	2				
	84010122A	ADJUSTER, OPENING ROCKER ARM 2.55 MM	2				
	84010132A	ADJUSTER, OPENING ROCKER ARM 2.60 MM	2				
	84010142A	ADJUSTER, OPENING ROCKER ARM 2.65 MM	2				
	84010152A	ADJUSTER, OPENING ROCKER ARM 2.70 MM	2				
	84010162A	ADJUSTER, OPENING ROCKER ARM 2.75 MM	2				
	84010172A	ADJUSTER, OPENING ROCKER ARM 2.80 MM	2				
	84010182A	ADJUSTER, OPENING ROCKER ARM 2.85 MM	2				
	84010192A	ADJUSTER, OPENING ROCKER ARM 2.90 MM	2				
	84010202A	ADJUSTER, OPENING ROCKER ARM 2.95 MM	2				
	84010212A	ADJUSTER, OPENING ROCKER ARM 3.00 MM	2				
	84010222A	ADJUSTER, OPENING ROCKER ARM 3.05 MM	2				
	84010232A	ADJUSTER, OPENING ROCKER ARM 3.10 MM	2				
	84010242A	ADJUSTER, OPENING ROCKER ARM 3.15 MM	2				
	84010252A	ADJUSTER, OPENING ROCKER ARM 3.20 MM	2				
	84010262A	ADJUSTER, OPENING ROCKER ARM 3.25 MM	2				
	84010272A	ADJUSTER, OPENING ROCKER ARM 3.30 MM	2				
	84010282A	ADJUSTER, OPENING ROCKER ARM 3.35 MM	2				
	84010292A	ADJUSTER, OPENING ROCKER ARM 3.40 MM	2				
	84010302A	ADJUSTER, OPENING ROCKER ARM 3.45 MM	2				
	84010312A	ADJUSTER, OPENING ROCKER ARM 1.80 MM	2				
	84010322A	ADJUSTER, OPENING ROCKER ARM 1.85 MM	2				
	84010332A	ADJUSTER, OPENING ROCKER ARM 1.90 MM	2				
	84010342A	ADJUSTER, OPENING ROCKER ARM 1.95 MM	2				
	84010722A	ADJUSTER, OPENING ROCKER ARM 3.60 MM	2	20/06/2012			



DRAWING 11C - VERTICAL HEAD [MOD:SCR800DS]

GROUP ENGINE



TST00544

DRAWING 11C - VERTICAL HEAD [MOD:SCR800DS]

GROUP ENGINE

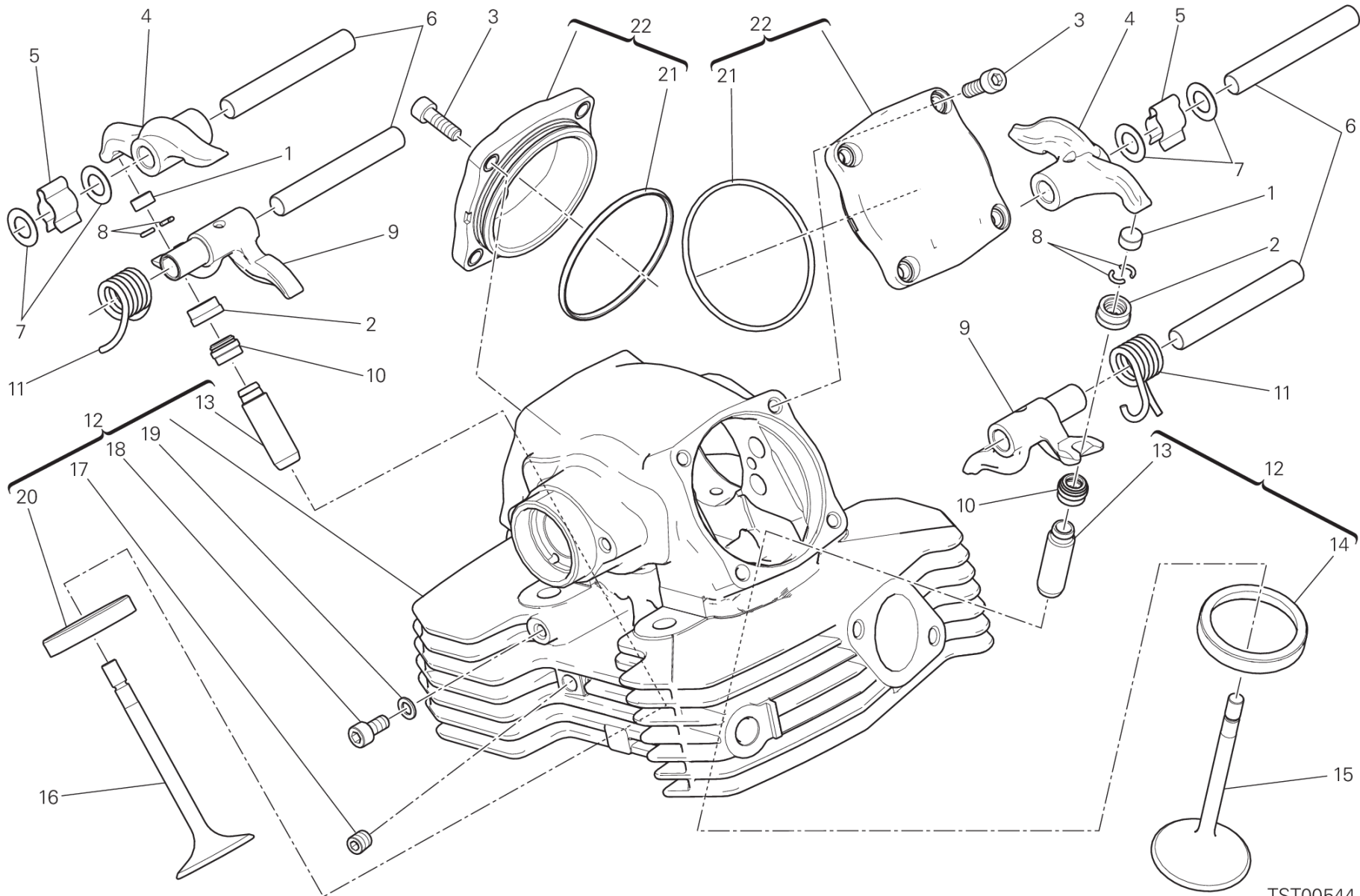


POS.	CODE	DESCRIPTION	QTY	START DATE	END DATE	VALIDITY	NOTES
	84010732A	ADJUSTER, OPENING ROCKER ARM 3.80 MM	2	20/06/2012			
	84011082A	ADJUSTER, OPENING ROCKER ARM 3.50 MM	2	20/06/2012			
	84011092A	ADJUSTER, OPENING ROCKER ARM 3.55 MM	2	20/06/2012			
	84011102A	ADJUSTER, OPENING ROCKER ARM 3.65 MM	2	20/06/2012			
	84011112A	ADJUSTER, OPENING ROCKER ARM 3.70 MM	2	20/06/2012			
	84011122A	ADJUSTER, OPENING ROCKER ARM 3.75 MM	2	20/06/2012			
	84011132A	ADJUSTER, OPENING ROCKER ARM 3.85 MM	2	20/06/2012			
	84011142A	ADJUSTER, OPENING ROCKER ARM 3.9 MM	2	20/06/2012			
2	84010412B	ADJUSTER, CLOSING ROCKER ARM 2.20 MM	2				
	84010422B	ADJUSTER, CLOSING ROCKER ARM 2.25 MM	2				
	84010432B	ADJUSTER, CLOSING ROCKER ARM 2.30 MM	2				
	84010442B	ADJUSTER, CLOSING ROCKER ARM 2.35 MM	2				
	84010452B	ADJUSTER, CLOSING ROCKER ARM 2.40 MM	2				
	84010462B	ADJUSTER, CLOSING ROCKER ARM 2.45 MM	2				
	84010472B	ADJUSTER, CLOSING ROCKER ARM 2.50 MM	2				
	84010482B	ADJUSTER, CLOSING ROCKER ARM 2.55 MM	2				
	84010492B	ADJUSTER, CLOSING ROCKER ARM 2.60 MM	2				
	84010502B	ADJUSTER, CLOSING ROCKER ARM 2.65 MM	2				
	84010512B	ADJUSTER, CLOSING ROCKER ARM 2.70 MM	2				
	84010522B	ADJUSTER, CLOSING ROCKER ARM 2.75 MM	2				
	84010532B	ADJUSTER, CLOSING ROCKER ARM 2.80 MM	2				
	84010542B	ADJUSTER, CLOSING ROCKER ARM 2.85 MM	2				
	84010552B	ADJUSTER, CLOSING ROCKER ARM 2.90 MM	2				
	84010562B	ADJUSTER, CLOSING ROCKER ARM 2.95 MM	2				
	84010572B	ADJUSTER, CLOSING ROCKER ARM 3.00 MM	2				
	84010582B	ADJUSTER, CLOSING ROCKER ARM 3.05 MM	2				
	84010592B	ADJUSTER, CLOSING ROCKER ARM 3.10 MM	2				
	84010602B	ADJUSTER, CLOSING ROCKER ARM 3.15 MM	2				
	84010612B	ADJUSTER, CLOSING ROCKER ARM 3.20 MM	2				
	84010622B	ADJUSTER, CLOSING ROCKER ARM 3.25 MM	2				
	84010632B	ADJUSTER, CLOSING ROCKER ARM 3.30 MM	2				
	84010642B	ADJUSTER, CLOSING ROCKER ARM 3.35 MM	2				
	84010652B	ADJUSTER, CLOSING ROCKER ARM 3.40 MM	2				
	84010662B	ADJUSTER, CLOSING ROCKER ARM 3.45 MM	2				
	84010672B	ADJUSTER, CLOSING ROCKER ARM 3.50 MM	2				



DRAWING 11C - VERTICAL HEAD [MOD:SCR800DS]

GROUP ENGINE



TST00544

DRAWING 11C - VERTICAL HEAD [MOD:SCR800DS]

GROUP ENGINE

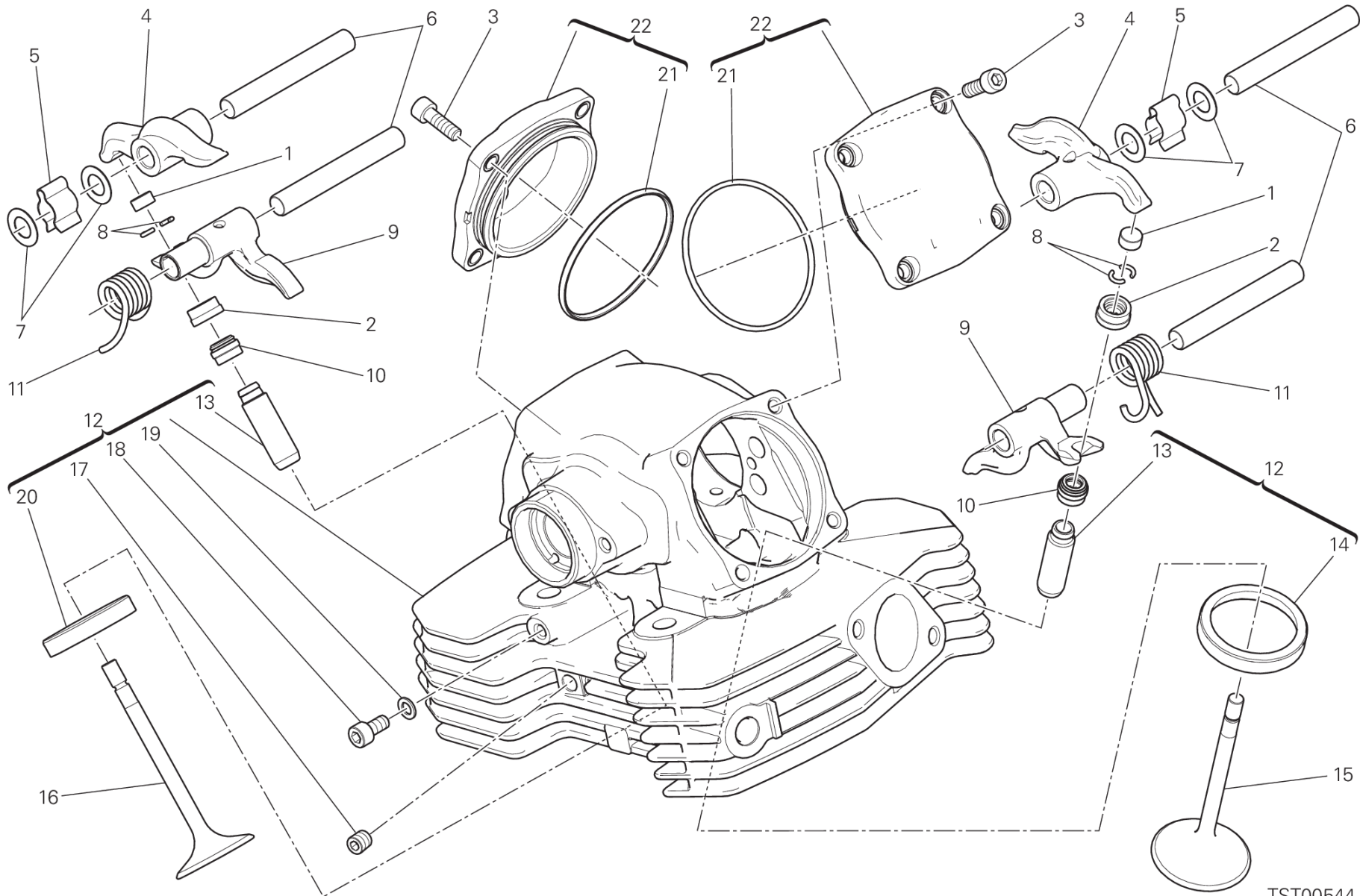


POS.	CODE	DESCRIPTION	QTY	START DATE	END DATE	VALIDITY	NOTES
	84010682B	ADJUSTER, CLOSING ROCKER ARM 3.55 MM	2				
	84010692B	ADJUSTER, CLOSING ROCKER ARM 3.60 MM	2				
	84010702B	ADJUSTER, CLOSING ROCKER ARM 3.65 MM	2				
	84010712B	ADJUSTER, CLOSING ROCKER ARM 3.70 MM	2				
	84010722B	ADJUSTER, CLOSING ROCKER ARM 3.75 MM	2				
	84010732B	ADJUSTER, CLOSING ROCKER ARM 3.80 MM	2				
	84010742B	ADJUSTER, CLOSING ROCKER ARM 3.85 MM	2				
	84010752B	ADJUSTER, CLOSING ROCKER ARM 3.90 MM	2				
	84010762B	ADJUSTER, CLOSING ROCKER ARM 3.95 MM	2				
	84010772B	ADJUSTER, CLOSING ROCKER ARM 4.00 MM	2				
	84010782B	ADJUSTER, CLOSING ROCKER ARM 4.05 MM	2				
	84010792B	ADJUSTER, CLOSING ROCKER ARM 4.10 MM	2				
	84010802B	ADJUSTER, CLOSING ROCKER ARM 4.15 MM	2				
	84010812B	ADJUSTER, CLOSING ROCKER ARM 4.20 MM	2				
	84010822B	ADJUSTER, CLOSING ROCKER ARM 4.25 MM	2				
	84010832B	ADJUSTER, CLOSING ROCKER ARM 4.30 MM	2				
	84010842B	ADJUSTER, CLOSING ROCKER ARM 4.35 MM	2				
	84010852B	ADJUSTER, CLOSING ROCKER ARM 4.40 MM	2				
	84010862B	ADJUSTER, CLOSING ROCKER ARM 4.45 MM	2				
	84010872B	ADJUSTER, CLOSING ROCKER ARM 4.50 MM	2				
3	77150668BA	SCREW M6X18	8	17/11/2010			
4	20820011A	OPEN. ROCKER ARM	2	17/11/2010			
5	79912121A	SPRING, ROCKER ARM AXLE	2	17/11/2010			
6	82120011B	ROCKER ARM PIN	4	17/11/2010			
7	064770010	WASHER, THRUST	4	17/11/2010			
8	66910011E	C RING	4	17/11/2010			
9	20920011A	CLOSE ROCKER ARM	2	17/11/2010			
10	76440572A	SEAL VALVE STEM	2	07/05/2014			
11	79915021A	SPRING, CLOSING ROCKER ARM	2	17/11/2010			
12	30122872DB	COMPLETE VERTICAL HEAD	1	15/05/2017			
13	30310681AA	GUIDE, VALVE +0.03 MM	2	22/02/2012			
	30310681AB	GUIDE, VALVE +0.06 MM	2	22/02/2012			
	30310681AC	GUIDE, VALVE +0.09 MM	2	22/02/2012			
14	30410901A	SEAT, INTAKE VALVE	1	24/12/2009			
	30410901AB	SEAT, INLET VALVE +0.03 MM	1	22/02/2012			



DRAWING 11C - VERTICAL HEAD [MOD:SCR800DS]

GROUP ENGINE



TST00544

DRAWING 11C - VERTICAL HEAD [MOD:SCR800DS]

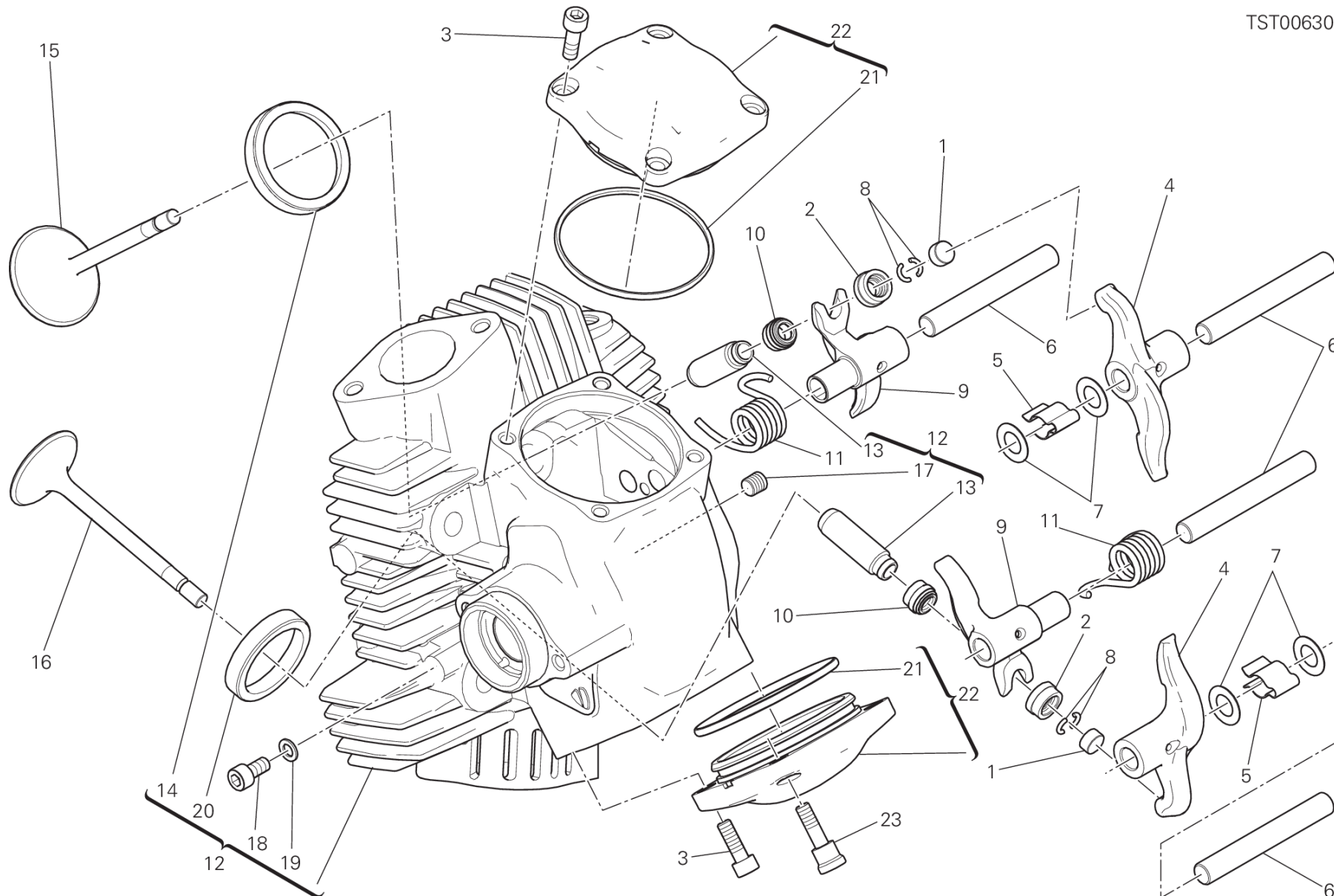
GROUP ENGINE



POS.	CODE	DESCRIPTION	QTY	START DATE	END DATE	VALIDITY	NOTES
	30410901AC	SEAT, INLET VALVE +0.06 MM	1	22/02/2012			
15	21010881A	INTAKE VALVE	1	15/03/2013			
16	21110881A	EXHAUST VALVE	1	15/03/2013			
17	78010871A	THREADED DOWEL	1	23/07/2013			
18	77911331A	SCREW, SPECIAL TCEI M6X12	1	24/12/2009			
19	85250231A	GASKET	1	24/12/2009			
20	30410911A	SEAT, EXHAUST VALVE	1	24/12/2009			
	30410911AB	SEAT, EXHAUST VALVE +0.03 MM	1	22/02/2012			
	30410911AC	SEAT, EXHAUST VALVE +0.06 MM	1	22/02/2012			
21	88641381A	O-RING 63.13X2.62	2	24/12/2009			
22	24020393A	VALVE COVER	2	13/02/2013			



TST00630



DRAWING 11D - HORIZONTAL HEAD [MOD:SCR800DS]

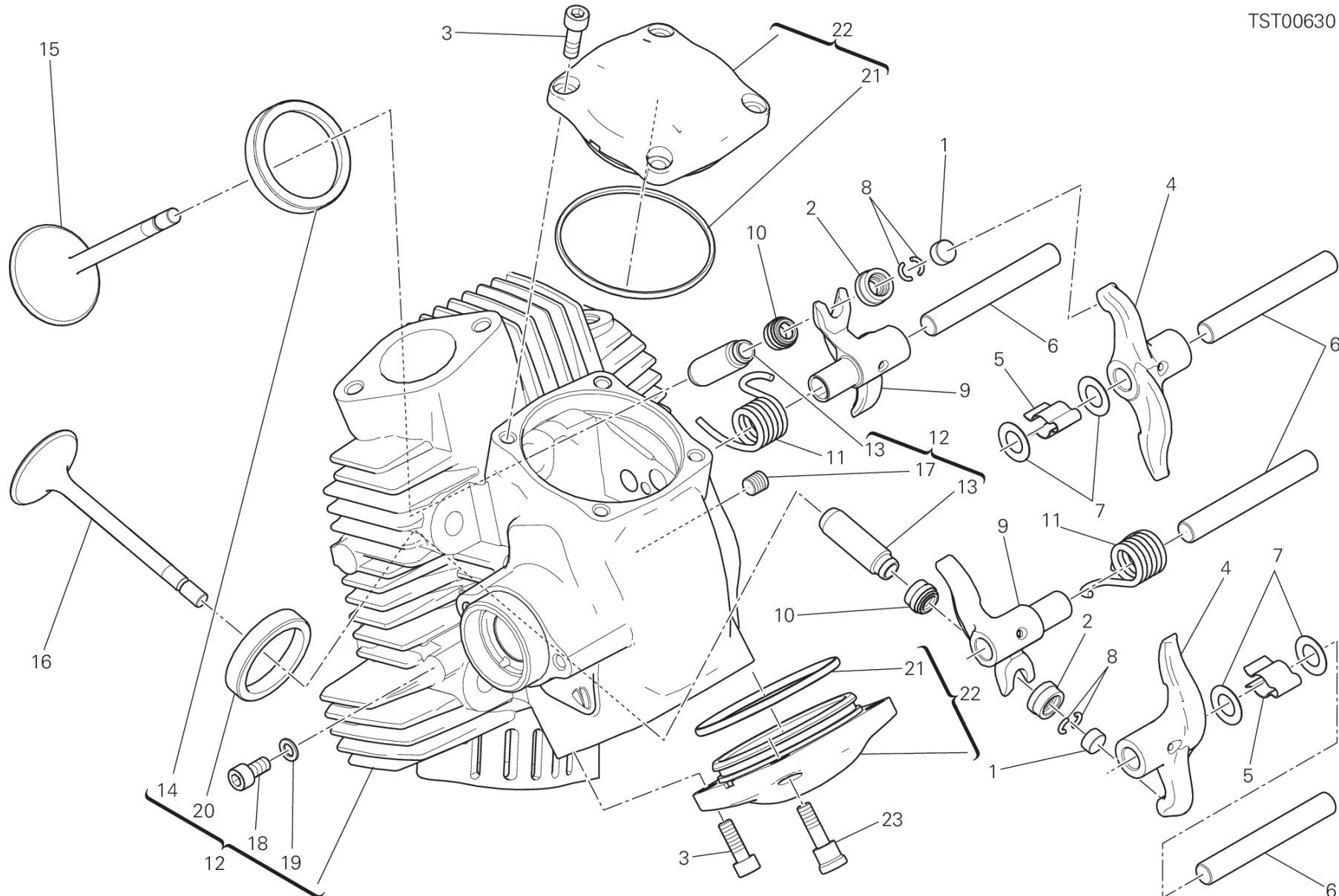
GROUP ENGINE



POS.	CODE	DESCRIPTION	QTY	START DATE	END DATE	VALIDITY	NOTES
1	84010012A	ADJUSTER, OPENING ROCKER ARM 2.00 MM	2				
	84010022A	ADJUSTER, OPENING ROCKER ARM 2.05 MM	2				
	84010032A	ADJUSTER, OPENING ROCKER ARM 2.10 MM	2				
	84010042A	ADJUSTER, OPENING ROCKER ARM 2.15 MM	2				
	84010052A	ADJUSTER, OPENING ROCKER ARM 2.20 MM	2				
	84010062A	ADJUSTER, OPENING ROCKER ARM 2.25 MM	2				
	84010072A	ADJUSTER, OPENING ROCKER ARM 2.30 MM	2				
	84010082A	ADJUSTER, OPENING ROCKER ARM 2.35 MM	2				
	84010092A	ADJUSTER, OPENING ROCKER ARM 2.40 MM	2				
	84010102A	ADJUSTER, OPENING ROCKER ARM 2.45 MM	2				
	84010112A	ADJUSTER, OPENING ROCKER ARM 2.50 MM	2				
	84010122A	ADJUSTER, OPENING ROCKER ARM 2.55 MM	2				
	84010132A	ADJUSTER, OPENING ROCKER ARM 2.60 MM	2				
	84010142A	ADJUSTER, OPENING ROCKER ARM 2.65 MM	2				
	84010152A	ADJUSTER, OPENING ROCKER ARM 2.70 MM	2				
	84010162A	ADJUSTER, OPENING ROCKER ARM 2.75 MM	2				
	84010172A	ADJUSTER, OPENING ROCKER ARM 2.80 MM	2				
	84010182A	ADJUSTER, OPENING ROCKER ARM 2.85 MM	2				
	84010192A	ADJUSTER, OPENING ROCKER ARM 2.90 MM	2				
	84010202A	ADJUSTER, OPENING ROCKER ARM 2.95 MM	2				
	84010212A	ADJUSTER, OPENING ROCKER ARM 3.00 MM	2				
	84010222A	ADJUSTER, OPENING ROCKER ARM 3.05 MM	2				
	84010232A	ADJUSTER, OPENING ROCKER ARM 3.10 MM	2				
	84010242A	ADJUSTER, OPENING ROCKER ARM 3.15 MM	2				
	84010252A	ADJUSTER, OPENING ROCKER ARM 3.20 MM	2				
	84010262A	ADJUSTER, OPENING ROCKER ARM 3.25 MM	2				
	84010272A	ADJUSTER, OPENING ROCKER ARM 3.30 MM	2				
	84010282A	ADJUSTER, OPENING ROCKER ARM 3.35 MM	2				
	84010292A	ADJUSTER, OPENING ROCKER ARM 3.40 MM	2				
	84010302A	ADJUSTER, OPENING ROCKER ARM 3.45 MM	2				
	84010312A	ADJUSTER, OPENING ROCKER ARM 1.80 MM	2				
	84010322A	ADJUSTER, OPENING ROCKER ARM 1.85 MM	2				
	84010332A	ADJUSTER, OPENING ROCKER ARM 1.90 MM	2				
	84010342A	ADJUSTER, OPENING ROCKER ARM 1.95 MM	2				
	84010722A	ADJUSTER, OPENING ROCKER ARM 3.60 MM	2	20/06/2012			



TST00630



DRAWING 11D - HORIZONTAL HEAD [MOD:SCR800DS]

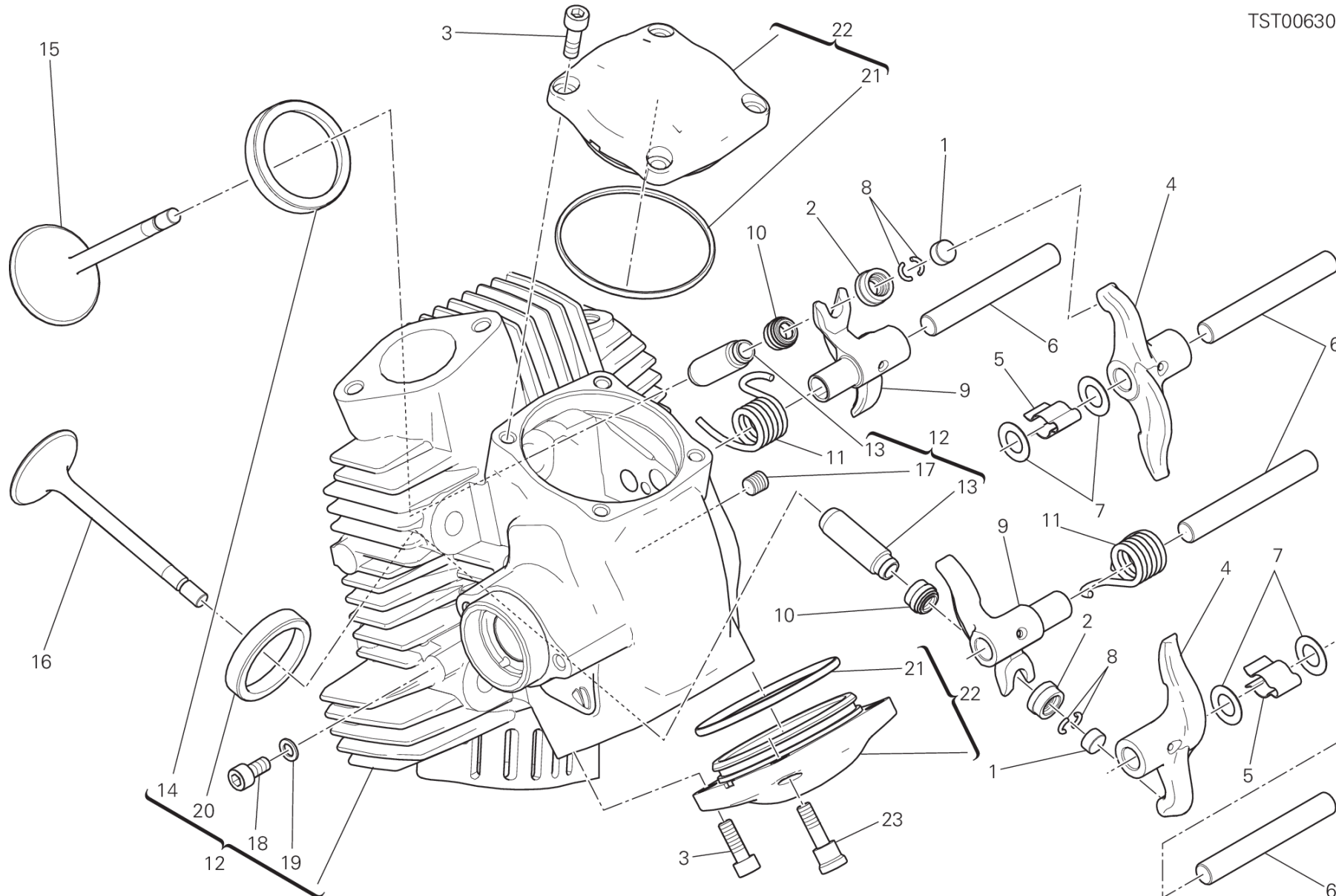
GROUP ENGINE



POS.	CODE	DESCRIPTION	QTY	START DATE	END DATE	VALIDITY	NOTES
	84010732A	ADJUSTER, OPENING ROCKER ARM 3.80 MM	2	20/06/2012			
	84011082A	ADJUSTER, OPENING ROCKER ARM 3.50 MM	2	20/06/2012			
	84011092A	ADJUSTER, OPENING ROCKER ARM 3.55 MM	2	20/06/2012			
	84011102A	ADJUSTER, OPENING ROCKER ARM 3.65 MM	2	20/06/2012			
	84011112A	ADJUSTER, OPENING ROCKER ARM 3.70 MM	2	20/06/2012			
	84011122A	ADJUSTER, OPENING ROCKER ARM 3.75 MM	2	20/06/2012			
	84011132A	ADJUSTER, OPENING ROCKER ARM 3.85 MM	2	20/06/2012			
	84011142A	ADJUSTER, OPENING ROCKER ARM 3.9 MM	2	20/06/2012			
2	84010412B	ADJUSTER, CLOSING ROCKER ARM 2.20 MM	2				
	84010422B	ADJUSTER, CLOSING ROCKER ARM 2.25 MM	2				
	84010432B	ADJUSTER, CLOSING ROCKER ARM 2.30 MM	2				
	84010442B	ADJUSTER, CLOSING ROCKER ARM 2.35 MM	2				
	84010452B	ADJUSTER, CLOSING ROCKER ARM 2.40 MM	2				
	84010462B	ADJUSTER, CLOSING ROCKER ARM 2.45 MM	2				
	84010472B	ADJUSTER, CLOSING ROCKER ARM 2.50 MM	2				
	84010482B	ADJUSTER, CLOSING ROCKER ARM 2.55 MM	2				
	84010492B	ADJUSTER, CLOSING ROCKER ARM 2.60 MM	2				
	84010502B	ADJUSTER, CLOSING ROCKER ARM 2.65 MM	2				
	84010512B	ADJUSTER, CLOSING ROCKER ARM 2.70 MM	2				
	84010522B	ADJUSTER, CLOSING ROCKER ARM 2.75 MM	2				
	84010532B	ADJUSTER, CLOSING ROCKER ARM 2.80 MM	2				
	84010542B	ADJUSTER, CLOSING ROCKER ARM 2.85 MM	2				
	84010552B	ADJUSTER, CLOSING ROCKER ARM 2.90 MM	2				
	84010562B	ADJUSTER, CLOSING ROCKER ARM 2.95 MM	2				
	84010572B	ADJUSTER, CLOSING ROCKER ARM 3.00 MM	2				
	84010582B	ADJUSTER, CLOSING ROCKER ARM 3.05 MM	2				
	84010592B	ADJUSTER, CLOSING ROCKER ARM 3.10 MM	2				
	84010602B	ADJUSTER, CLOSING ROCKER ARM 3.15 MM	2				
	84010612B	ADJUSTER, CLOSING ROCKER ARM 3.20 MM	2				
	84010622B	ADJUSTER, CLOSING ROCKER ARM 3.25 MM	2				
	84010632B	ADJUSTER, CLOSING ROCKER ARM 3.30 MM	2				
	84010642B	ADJUSTER, CLOSING ROCKER ARM 3.35 MM	2				
	84010652B	ADJUSTER, CLOSING ROCKER ARM 3.40 MM	2				
	84010662B	ADJUSTER, CLOSING ROCKER ARM 3.45 MM	2				
	84010672B	ADJUSTER, CLOSING ROCKER ARM 3.50 MM	2				



TST00630



DRAWING 11D - HORIZONTAL HEAD [MOD:SCR800DS]

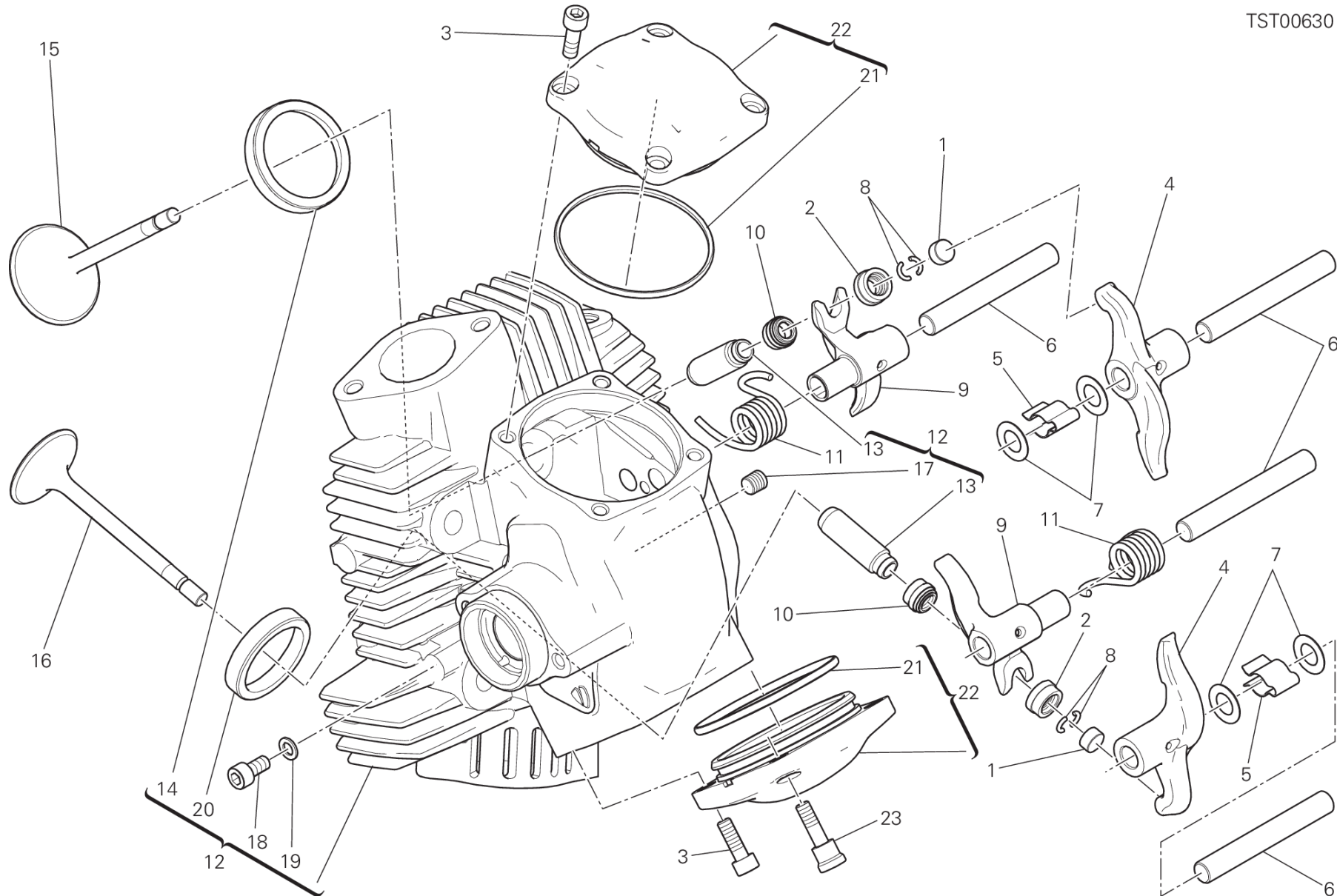
GROUP ENGINE



POS.	CODE	DESCRIPTION	QTY	START DATE	END DATE	VALIDITY	NOTES
	84010682B	ADJUSTER, CLOSING ROCKER ARM 3.55 MM	2				
	84010692B	ADJUSTER, CLOSING ROCKER ARM 3.60 MM	2				
	84010702B	ADJUSTER, CLOSING ROCKER ARM 3.65 MM	2				
	84010712B	ADJUSTER, CLOSING ROCKER ARM 3.70 MM	2				
	84010722B	ADJUSTER, CLOSING ROCKER ARM 3.75 MM	2				
	84010732B	ADJUSTER, CLOSING ROCKER ARM 3.80 MM	2				
	84010742B	ADJUSTER, CLOSING ROCKER ARM 3.85 MM	2				
	84010752B	ADJUSTER, CLOSING ROCKER ARM 3.90 MM	2				
	84010762B	ADJUSTER, CLOSING ROCKER ARM 3.95 MM	2				
	84010772B	ADJUSTER, CLOSING ROCKER ARM 4.00 MM	2				
	84010782B	ADJUSTER, CLOSING ROCKER ARM 4.05 MM	2				
	84010792B	ADJUSTER, CLOSING ROCKER ARM 4.10 MM	2				
	84010802B	ADJUSTER, CLOSING ROCKER ARM 4.15 MM	2				
	84010812B	ADJUSTER, CLOSING ROCKER ARM 4.20 MM	2				
	84010822B	ADJUSTER, CLOSING ROCKER ARM 4.25 MM	2				
	84010832B	ADJUSTER, CLOSING ROCKER ARM 4.30 MM	2				
	84010842B	ADJUSTER, CLOSING ROCKER ARM 4.35 MM	2				
	84010852B	ADJUSTER, CLOSING ROCKER ARM 4.40 MM	2				
	84010862B	ADJUSTER, CLOSING ROCKER ARM 4.45 MM	2				
	84010872B	ADJUSTER, CLOSING ROCKER ARM 4.50 MM	2				
3	77150668BA	SCREW M6X18	7	17/11/2010			
4	20820011A	OPEN. ROCKER ARM	2	17/11/2010			
5	79912121A	SPRING, ROCKER ARM AXLE	2	17/11/2010			
6	82120011B	ROCKER ARM PIN	4	17/11/2010			
7	064770010	WASHER, THRUST	4	17/11/2010			
8	66910011E	C RING	4	17/11/2010			
9	20920011A	CLOSE ROCKER ARM	2	17/11/2010			
10	76440572A	SEAL VALVE STEM	2	07/05/2014			
11	79915021A	SPRING, CLOSING ROCKER ARM	2	17/11/2010			
12	30122882DB	COMPLETE HORIZONTAL HEAD	1	15/05/2017			
13	30310681AA	GUIDE, VALVE +0.03 MM	2	22/02/2012			
	30310681AB	GUIDE, VALVE +0.06 MM	2	22/02/2012			
	30310681AC	GUIDE, VALVE +0.09 MM	2	22/02/2012			
14	30410901A	SEAT, INTAKE VALVE	1	24/12/2009			
	30410901AB	SEAT, INLET VALVE +0.03 MM	1	22/02/2012			



TST00630

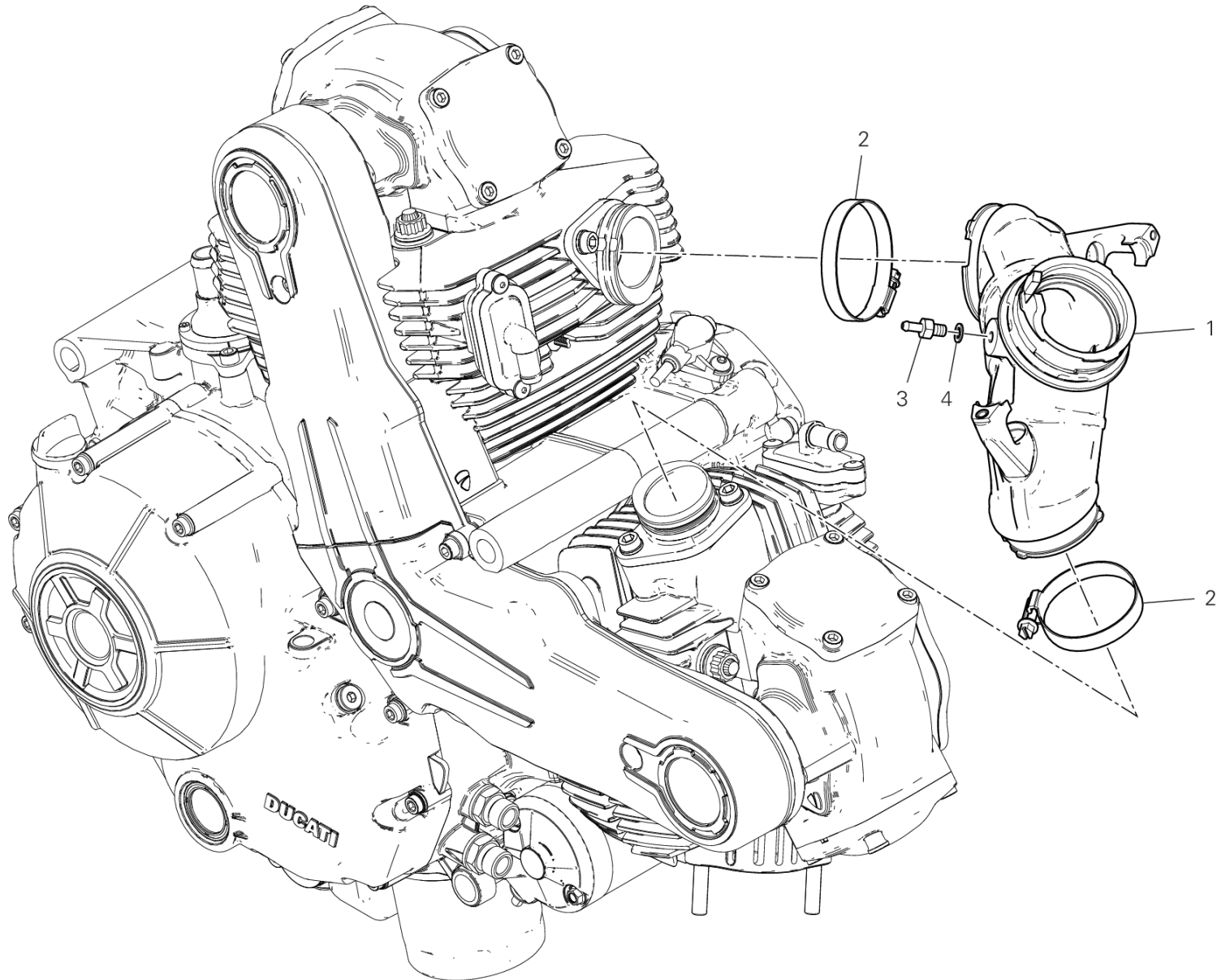


DRAWING 11D - HORIZONTAL HEAD [MOD:SCR800DS]

GROUP ENGINE



POS.	CODE	DESCRIPTION	QTY	START DATE	END DATE	VALIDITY	NOTES
	30410901AC	SEAT, INLET VALVE +0.06 MM	1	22/02/2012			
15	21010881A	INTAKE VALVE	1	15/03/2013			
16	21110881A	EXHAUST VALVE	1	15/03/2013			
17	78010871A	THREADED DOWEL	1	23/07/2013			
18	77911331A	SCREW, SPECIAL TCEI M6X12	1	24/12/2009			
19	85250231A	GASKET	1	24/12/2009			
20	30410911A	SEAT, EXHAUST VALVE	1	24/12/2009			
	30410911AB	SEAT, EXHAUST VALVE +0.03 MM	1	22/02/2012			
	30410911AC	SEAT, EXHAUST VALVE +0.06 MM	1	22/02/2012			
21	88641381A	O-RING 63.13X2.62	2	24/12/2009			
22	24020393A	VALVE COVER	2	13/02/2013			
23	77919631A	SCREW, SPECIAL	1	03/11/2014			



TST00631

DRAWING 11E - INTAKE MANIFOLD [MOD:SCR800DS]

GROUP ENGINE



POS.	CODE	DESCRIPTION	QTY	START DATE	END DATE	VALIDITY	NOTES
1	14010781B	INTAKE MANIFOLD	1	05/02/2018			
2	74141801A	CLAMP 40-60 MM	2	05/02/2018			
3	81413341A	UNION	1	05/02/2018			
4	85250231A	GASKET	1	15/05/2017			





POS.	CODE	DESCRIPTION	QTY	START DATE	END DATE	VALIDITY	NOTES
1	490PE333A	FRONT TYRE SCORPION™ RALLY STR (120-70 R19)	1	01/02/2016			(*)=Pneumatico di primo equipaggiamento
2	491PE336A	REAR TYRE SCORPION™ RALLY STR (170-60 R17)	1	01/02/2016			(*)=Pneumatico di primo equipaggiamento
3	490PE255A	FRONT TYRE SCORPION™ TRAIL II (120-70 ZR19)	1				
4	491PE263A	REAR TYRE SCORPION™ TRAIL II (170-60 ZR17)	1				
5	490PE323A	FRONT TYRE SCORPION™ RALLY (120-70 R19)	1				
6	491PE327A	REAR TYRE SCORPION™ RALLY (170-60 R17)	1				
7	490P0303A	FRONT TYRE ANGEL™ GT II (120-70 R19)	1				
8	491P0353A	REAR TYRE ANGEL™ GT II (170-60 R17)	1				



DRAWING B3 - (*) PIRELLI SCORPION™ RALLY STR [MOD:SCR800DS]

GROUP TYRES



POS.	CODE	DESCRIPTION	QTY	START DATE	END DATE	VALIDITY	NOTES
1	490PE333A	FRONT TYRE SCORPION™ RALLY STR (120-70 R19)	1	01/02/2016			(*)=Pneumatico di primo equipaggiamento
2	491PE336A	REAR TYRE SCORPION™ RALLY STR (170-60 R17)	1	01/02/2016			(*)=Pneumatico di primo equipaggiamento



DRAWING C3 - PIRELLI SCORPION™ TRAIL II [MOD:SCR800DS]

GROUP TYRES



POS.	CODE	DESCRIPTION	QTY	START DATE	END DATE	VALIDITY	NOTES
1	490PE255A	FRONT TYRE SCORPION™ TRAIL II (120-70 ZR19)	1	01/02/2016			
2	491PE263A	REAR TYRE SCORPION™ TRAIL II (170-60 ZR17)	1	01/02/2016			



DRAWING D2 - PIRELLI SCORPION™ RALLY [MOD:SCR800DS]

GROUP TYRES



POS.	CODE	DESCRIPTION	QTY	START DATE	END DATE	VALIDITY	NOTES
1	490PE323A	FRONT TYRE SCORPION™ RALLY (120-70 R19)	1	01/02/2016			
2	491PE327A	REAR TYRE SCORPION™ RALLY (170-60 R17)	1	01/02/2016			

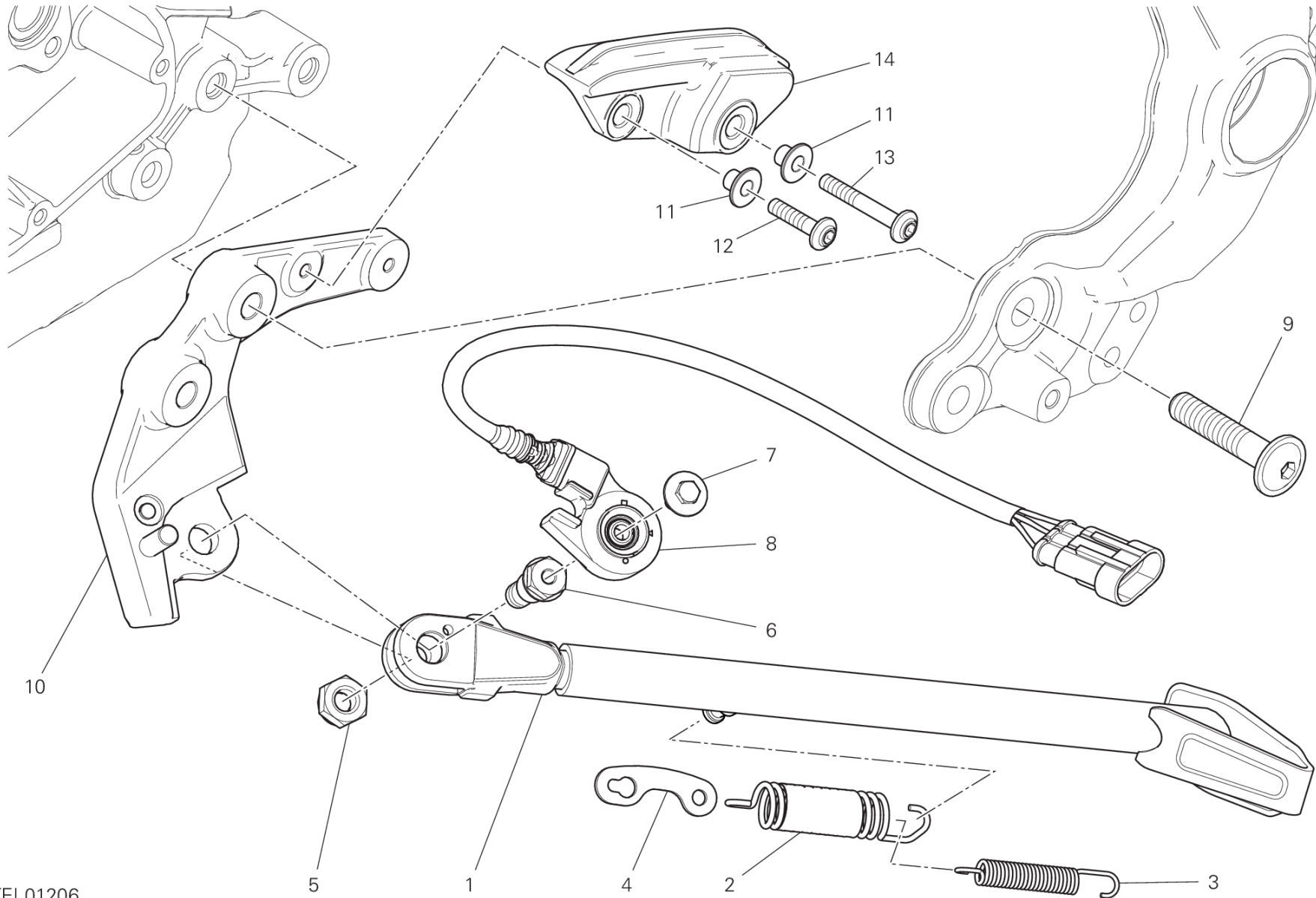


DRAWING H - PIRELLI ANGEL™ GT II [MOD:SCR800DS]

GROUP TYRES



POS.	CODE	DESCRIPTION	QTY	START DATE	END DATE	VALIDITY	NOTES
1	490P0303A	FRONT TYRE ANGEL™ GT II (120-70 R19)	1	01/02/2016			
2	491P0353A	REAR TYRE ANGEL™ GT II (170-60 R17)	1	01/02/2016			



TEL01206

DRAWING 16A - STAND [MOD:SCR800DS]

GROUP FRAME

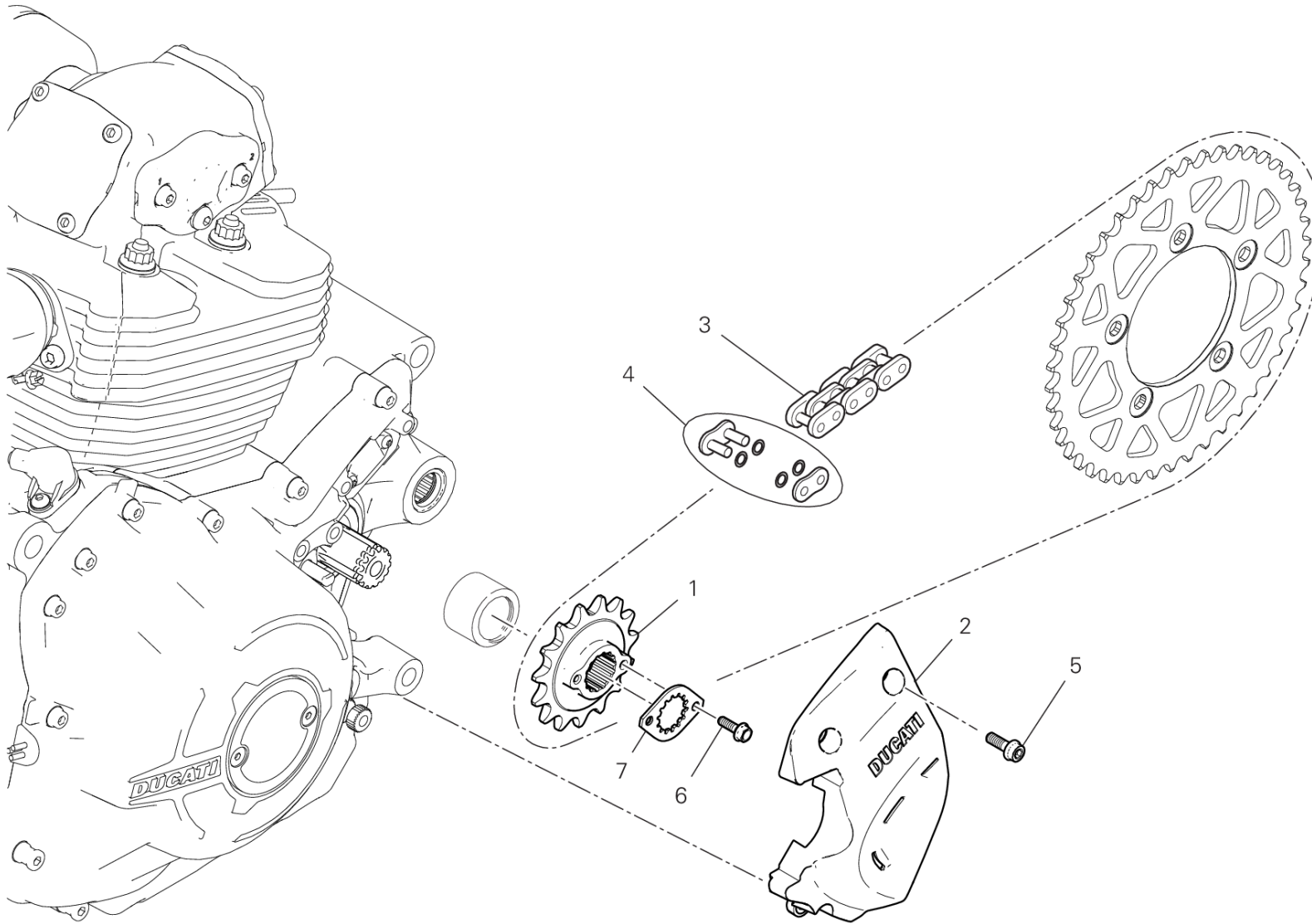


POS.	CODE	DESCRIPTION	QTY	START DATE	END DATE	VALIDITY	NOTES
1	55610981CA	SIDE STAND	1	01/04/2018			
2	79920881C	COMPLETE SPRING	1				
3	79915571AA	INNER SPRING	1				
4	82716371AA	LINK, SIDE STAND	1				
5	74910031AA	NUT	1				
6	55610662AB	SHAFT, STAND	1				
7	77917241AA	SCREW	1				
8	53910351A	SWITCH, STAND	1				
9	77240938C	SCREW TBEIF M10X50 10.9	2	28/08/2018			
10	55620971AA	BRACKET, SIDE STAND	1	01/04/2018			
11	71614111A	SPACER	2	28/08/2018			
12	77244353BA	SCREW	1	28/08/2018			
13	77244403BA	SCREW	1	28/08/2018			
14	44711781A	LOWER CHAIN SLIDING SHOE	1	28/08/2018			



DRAWING 17A - FRONT SPROCKET - CHAIN [MOD:SCR800DS]

GROUP FRAME



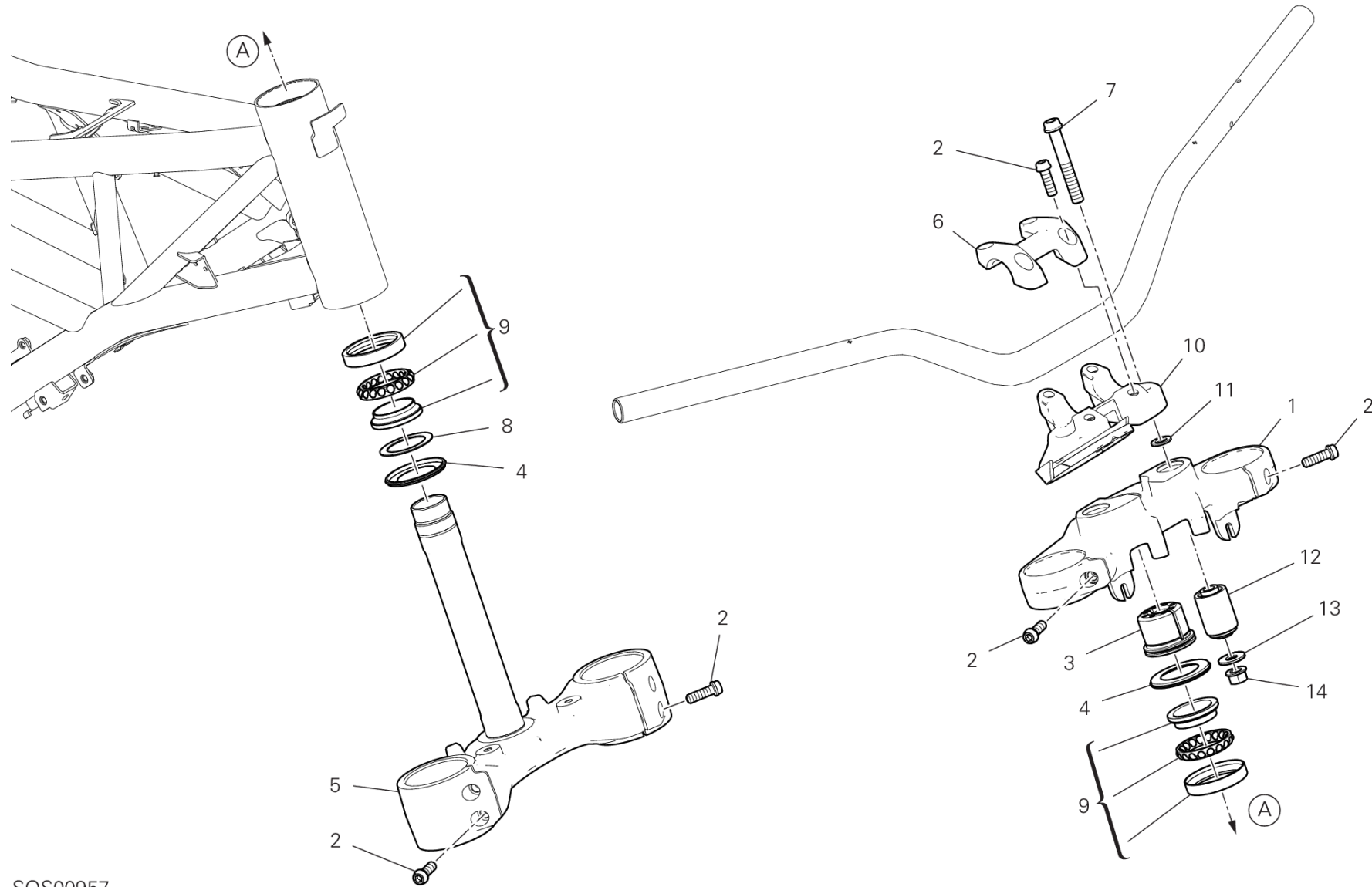
TEL01191

DRAWING 17A - FRONT SPROCKET - CHAIN [MOD:SCR800DS]

GROUP FRAME



POS.	CODE	DESCRIPTION	QTY	START DATE	END DATE	VALIDITY	NOTES
1	44910521A	SPROCKET T15	1	05/02/2018			
2	4601G751A	CHAIN PINION COVER	1				
3	67640981A	CHAIN 107+1	1	28/08/2018		MOD:SCR800DS	
4	67740231A	CHAIN LINK	1	01/01/2014		MOD:SCR800DS	
5	77110391A	SCREW TCEIF M6X16	3				
6	77210621A	SCREW TEF M5X16	2	05/02/2018			
7	82610111A	PLATE, DRIVE SPROCKET FIXING	1	05/02/2018			



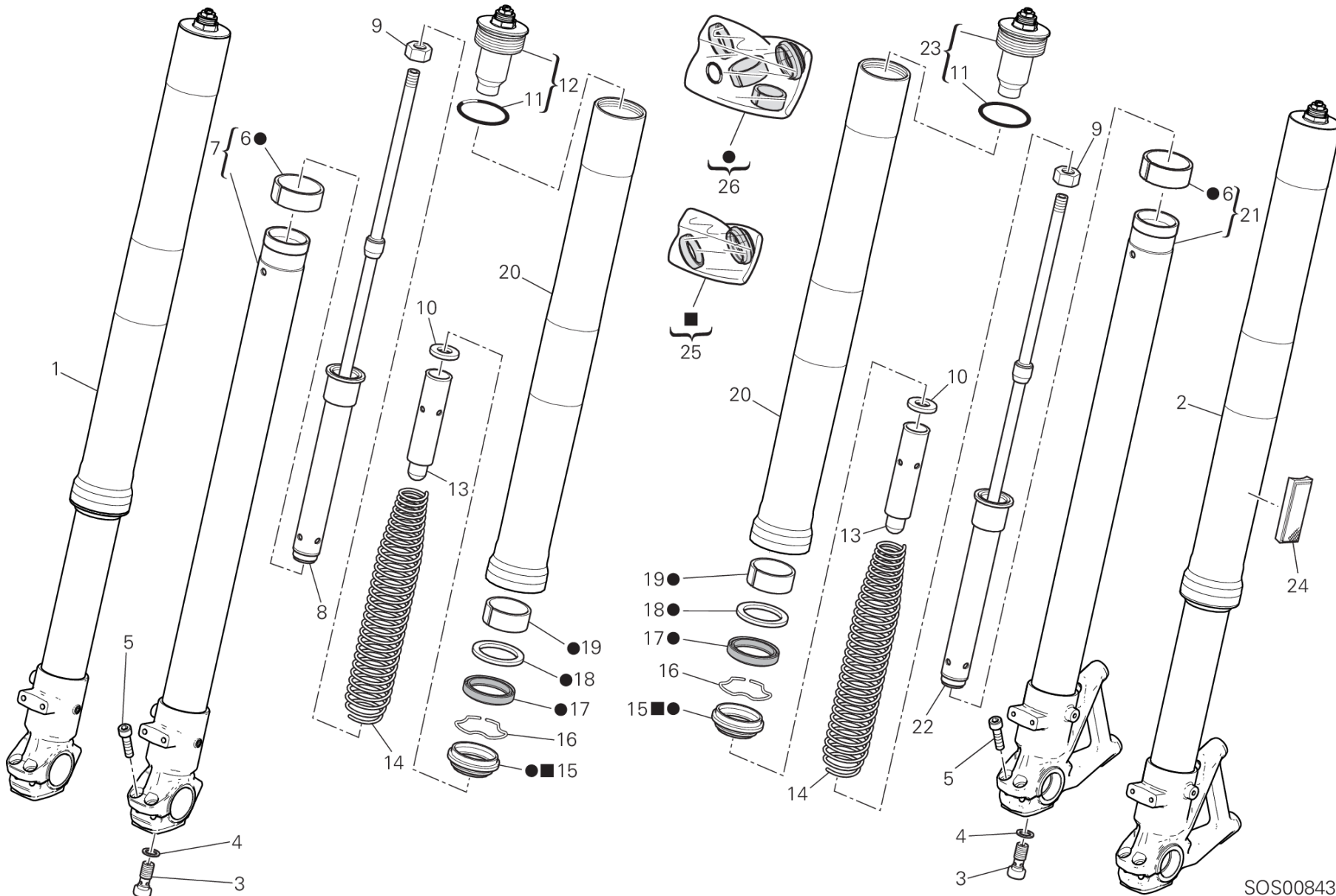
SOS00957

DRAWING 18A - STEERING ASSEMBLY [MOD:SCR800DS]

GROUP FRAME



POS.	CODE	DESCRIPTION	QTY	START DATE	END DATE	VALIDITY	NOTES
1	34111183AA	STEERING HEAD	1	21/02/2018			
2	77157254B	SCREW	11				
3	70310131A	THREAD, STEERING HEAD TOP	1				
4	93010041B	SEAL RING	2				
5	34220941AA	STEERING HEAD BASE (Unit)	1	21/02/2018			
6	36011811AA	HANDLEBAR BRACKET, UPPER	1				
7	77159414B	SCREW	2	02/02/2018			
8	85211031AB	WASHER	1				
9	70241231A	BEARING, STEERING NTN SF07A17P	2				
10	36011801AA	HOLDER, HANDLE LOWER	1				
11	85250401A	WASHER 10.5X18X1.6	2	02/02/2018			
12	70010541A	CUSHION, HANDLEBAR	2	02/02/2018			
13	85213701A	WASHER	2	02/02/2018			
14	74840241AB	NUT M10X1.25	2	02/02/2018			



SOS00843

DRAWING 18B - FRONT FORK [MOD:SCR800DS]

GROUP FRAME

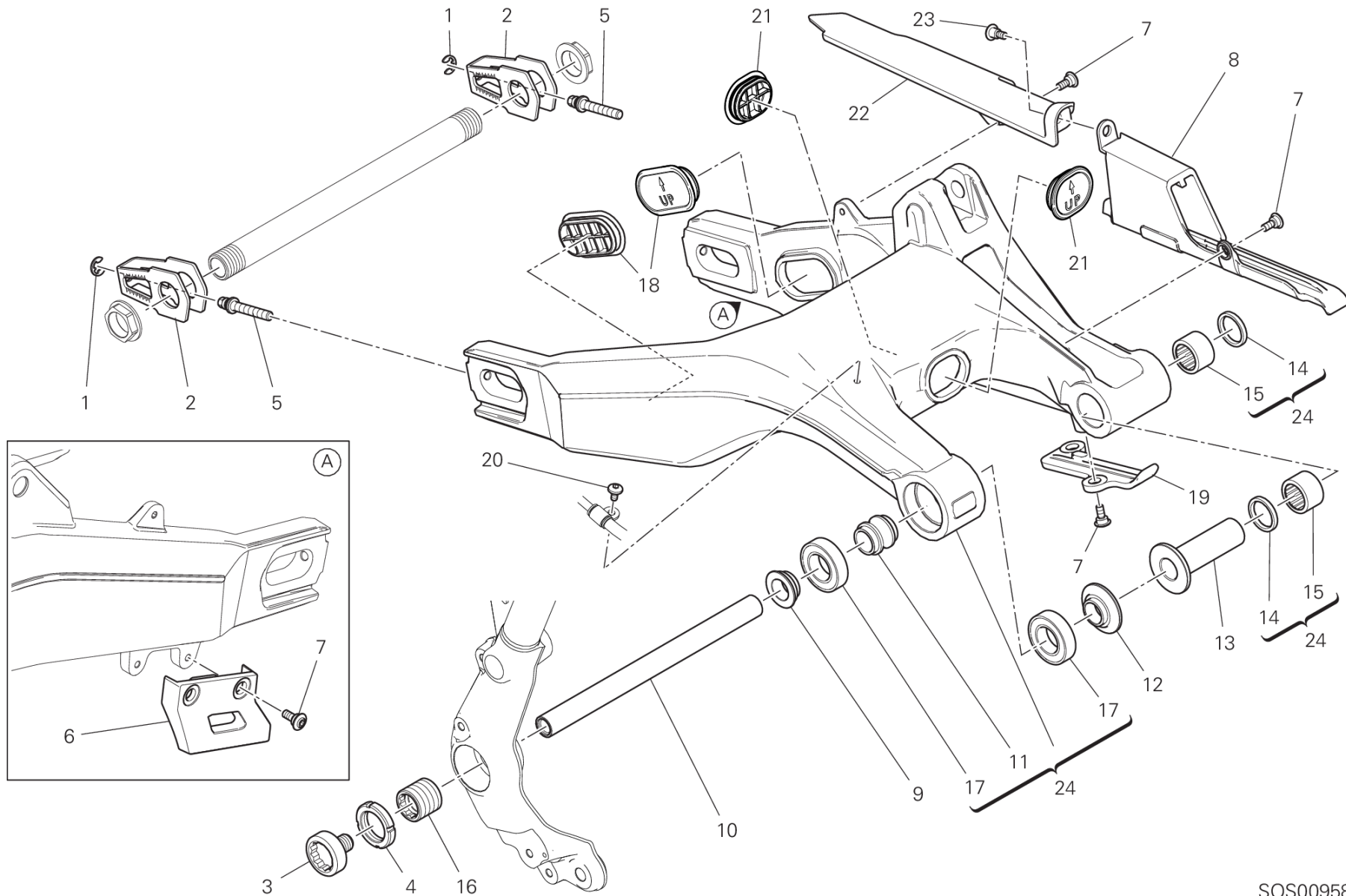


POS.	CODE	DESCRIPTION	QTY	START DATE	END DATE	VALIDITY	NOTES
1	34420951A	FORK LEG ASSY, RIGHT	1	21/02/2018			
2	34520951A	FORK LEG ASSY, LEFT	1	21/02/2018			
3	34914721A	SCREW	2	27/03/2017			
4	34912741A	WASHER, SPECIAL	2	27/03/2017			
5	77156694B	SCREW	4	01/11/2012			
6	34914811A	BUSH	2	27/03/2017			
7	34922361A	COMPLETE RIGHT SLIDER	1	27/03/2017			
8	34922381A	COMPLETE PUMPING ELEMENT, RIGHT	1	27/03/2017			
9	34912711A	NUT	2	27/03/2017			
10	34914411A	WASHER	2	27/03/2017			
11	34912681A	O-RING	2	27/03/2017			
12	34922401A	PLUG ASSY RIGHT	1	27/03/2017			
13	34912721A	PRE-LOAD SLEEVE	2	27/03/2017			
14	34914821A	FORK SPRING	2	27/03/2017			
15	34914761A	DUST COVER	2	27/03/2017			
16	34914771A	STOP RING	2	27/03/2017			
17	34914781A	OIL SEAL	2	27/03/2017			
18	34914791A	WASHER	2	27/03/2017			
19	34914801A	BUSH	2	27/03/2017			
20	34914751A	FORK OUTER TUBE	2	27/03/2017			
21	34922371A	COMPLETE LEFT SLIDER	1	27/03/2017			
22	34922391A	COMPLETE PUMPING ELEMENT, LEFT	1	27/03/2017			
23	34922411A	PLUG ASSY LEFT	1	27/03/2017			
24	52910221A	REFLECTOR, ADHESIVE AMBER	2	21/02/2018			
25	34922441A	SEAL KIT	1	27/03/2017			
26	34922451A	OVERHAUL KIT	1	27/03/2017			



DRAWING 19A - REAR SWINGING ARM [MOD:SCR800DS]

GROUP FRAME



SOS00958

DRAWING 19A - REAR SWINGING ARM [MOD:SCR800DS]

GROUP FRAME

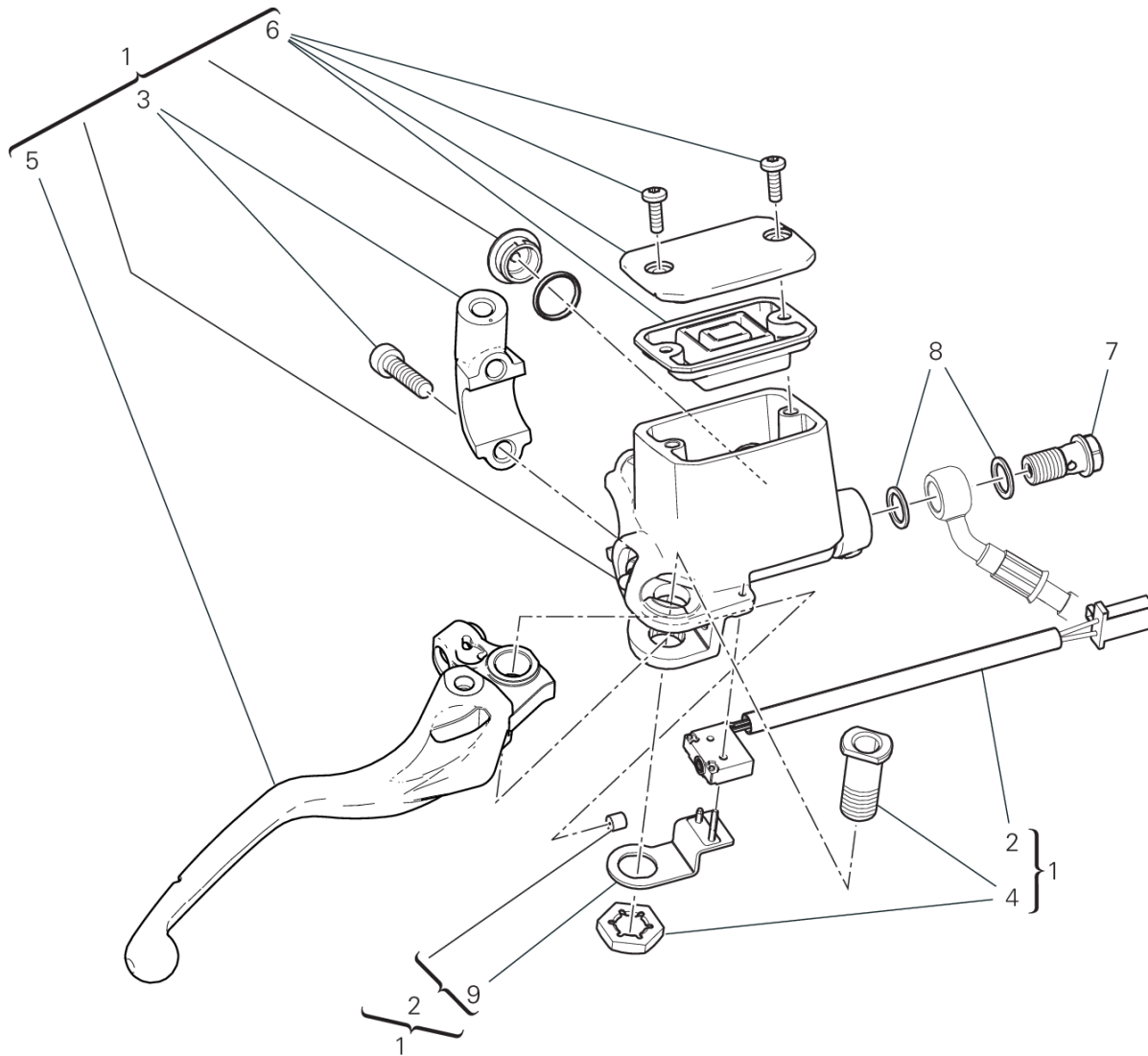


POS.	CODE	DESCRIPTION	QTY	START DATE	END DATE	VALIDITY	NOTES
1	88450341B	SPRING RING	2				
2	37310631A	PULLER, CHAIN	2				
3	77918421AB	SCREW, SPECIAL	2	28/08/2018			
4	70310861BA	RING NUT	2	28/08/2018			
5	77915451B	SCREW	2				
6	4601E672A	LOWER CHAIN GUARD	1	01/08/2018			
7	77211261B	SCREW, SPECIAL	6	01/08/2018			
8	44711731A	UPPER CHAIN SLIDING SHOE	1	15/10/2016			
9	71210301A	RIGHT SPACER	1	16/01/2017			
10	36911481AA	AXLE, REAR SWING ARM	1	28/08/2018			
11	71311871A	INNER SPACER	1	13/10/2016			
12	71210591AA	INNER SPACER RIGHT	1	16/01/2017			
13	71012051A	INNER SPACER LEFT	1	16/01/2017			
14	93050121A	SEAL RING	2	13/10/2016			
15	70140171A	BEARING, NEEDLE	2	13/10/2016			
16	7791A491AA	THREADED DOWEL	2	28/08/2018			
17	70250451A	BEARING	2	01/03/2016			
18	87210981A	CAP, SWINGARM COVER	2	13/10/2016			
19	44711741A	LOWER CHAIN SLIDING SHOE	1	15/10/2016			
20	77550213C	SCREW TBEI M6X16	1	28/08/2018			
21	87210971A	CAP, SWINGARM COVER	2	13/10/2016			
22	44711792A	CHAIN GUARD	1	02/11/2016			
23	77214231A	SCREW	1	13/10/2016			
24	37021772AB	REAR SWINGING ARM	1				



DRAWING 20A - FRONT BRAKE PUMP [MOD:SCR800DS]

GROUP FRAME



BRB00671

DRAWING 20A - FRONT BRAKE PUMP [MOD:SCR800DS]

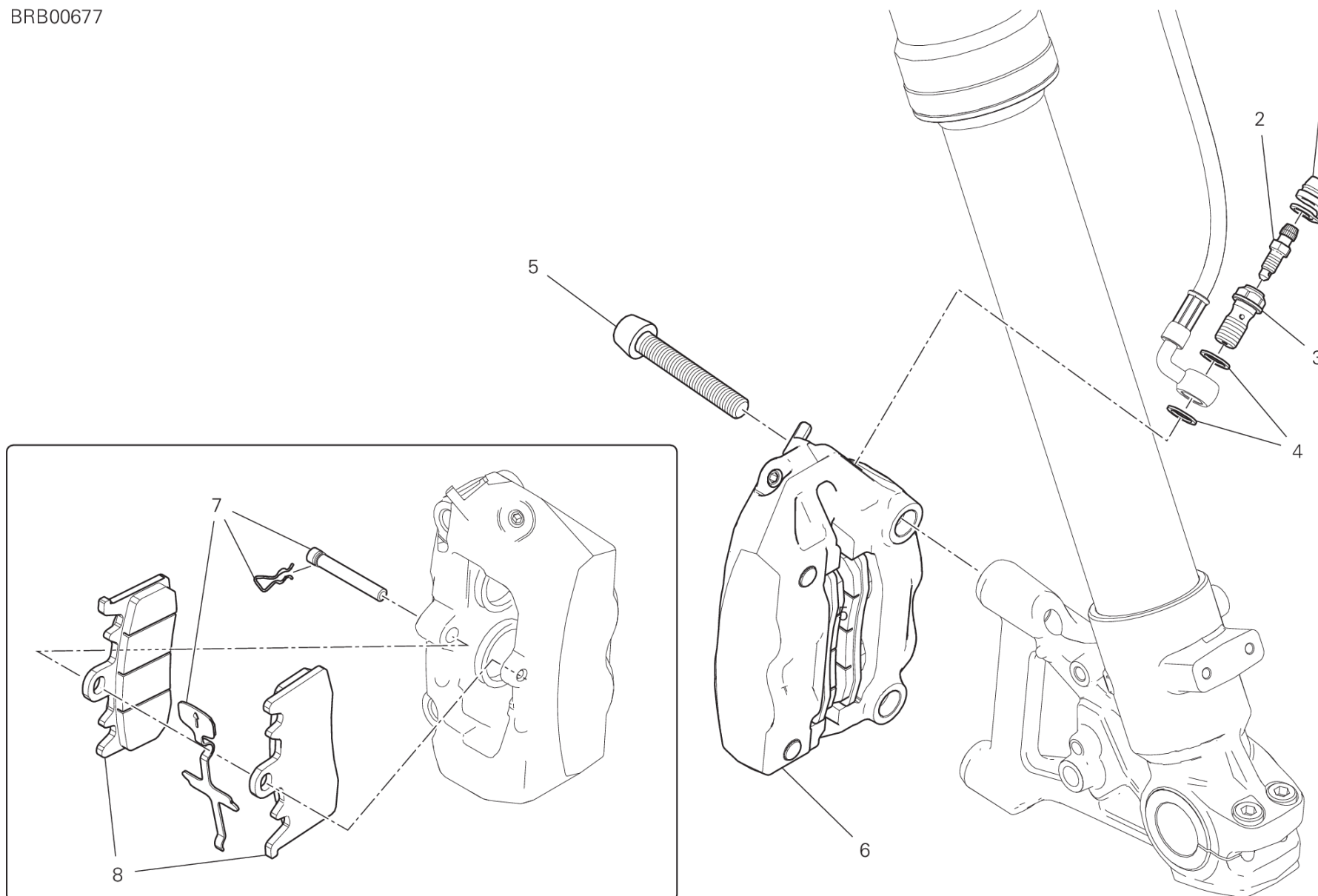
GROUP FRAME



POS.	CODE	DESCRIPTION	QTY	START DATE	END DATE	VALIDITY	NOTES
1	62441161A	FRONT BRAKE PUMP	1	21/05/2018			
2	53940911A	MICROSWITCH	1				
3	62640231A	U-BOLT KIT	1				
4	62640601A	BOLT, PIVOT	1				
5	63140591A	LEVER, FRONT BRAKE	1				
6	89340261A	PLUG ASSY FRONT BRAKE PUMP	1				
7	77913662AB	SCREW, SPECIAL	1				
8	85250241A	WASHER 10X14X1	2				
9	58540271A	HOLDER MICROSWITCH	1				



BRB00677

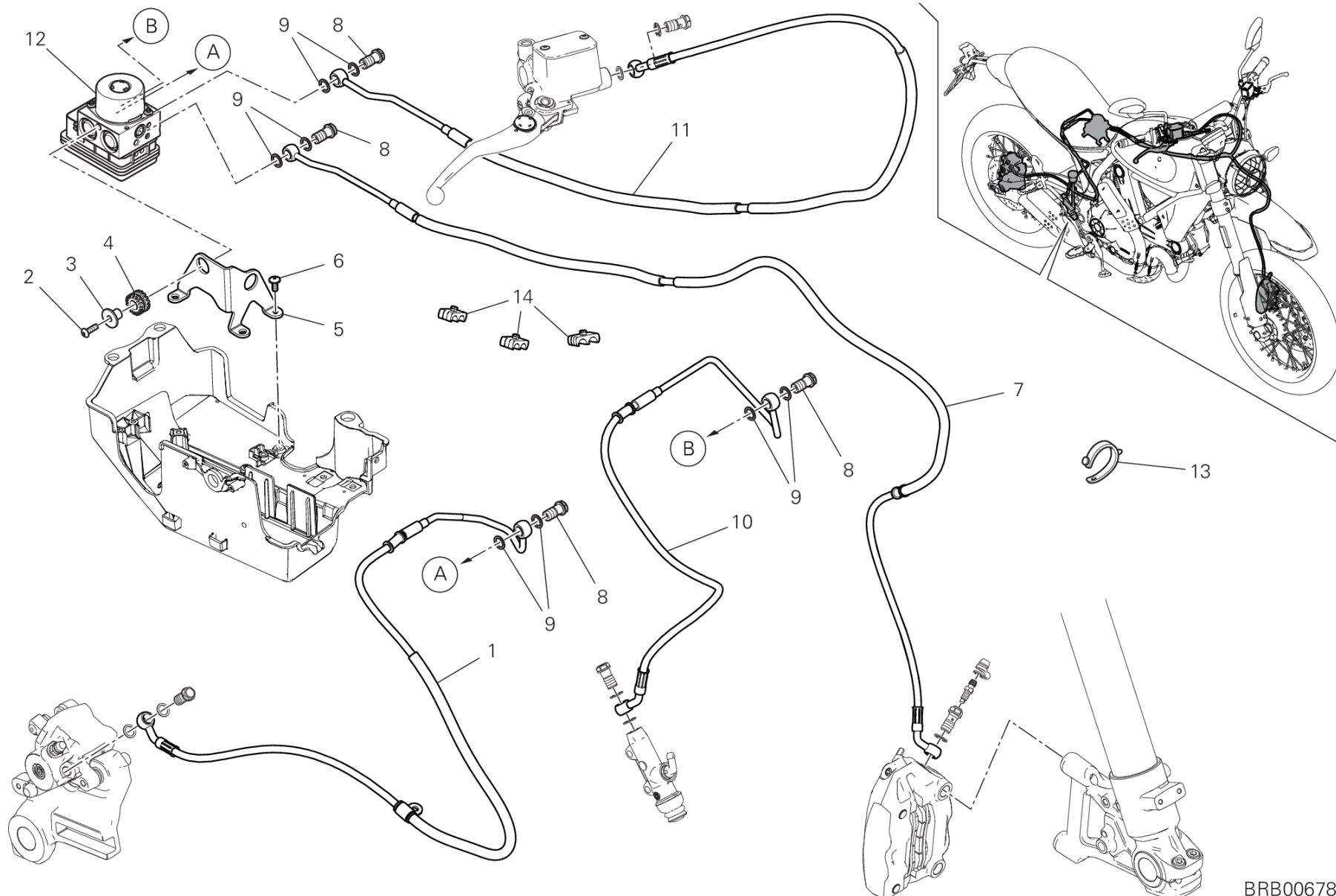


DRAWING 20B - FRONT BRAKE SYSTEM [MOD:SCR800DS]

GROUP FRAME



POS.	CODE	DESCRIPTION	QTY	START DATE	END DATE	VALIDITY	NOTES
1	61240052A	DUST COVER	1	30/10/2014			
2	18710021A	VALVE, BREATHER	1	30/10/2014			
3	77913971A	BOLT, BRAKE HOSE	1	30/10/2014			
4	85250241A	WASHER 10X14X1	2	30/10/2014			
5	77913311D	SCREW M 10 X 60	2	29/10/2014			
6	61041292C	LEFT FRONT BRAKE CALIPER	1	27/09/2016			
7	61240511A	SPARE PIN AND SPRING	1	01/07/2012			
8	61341021A	FRONT BRAKE PADS SET	1	01/07/2012			



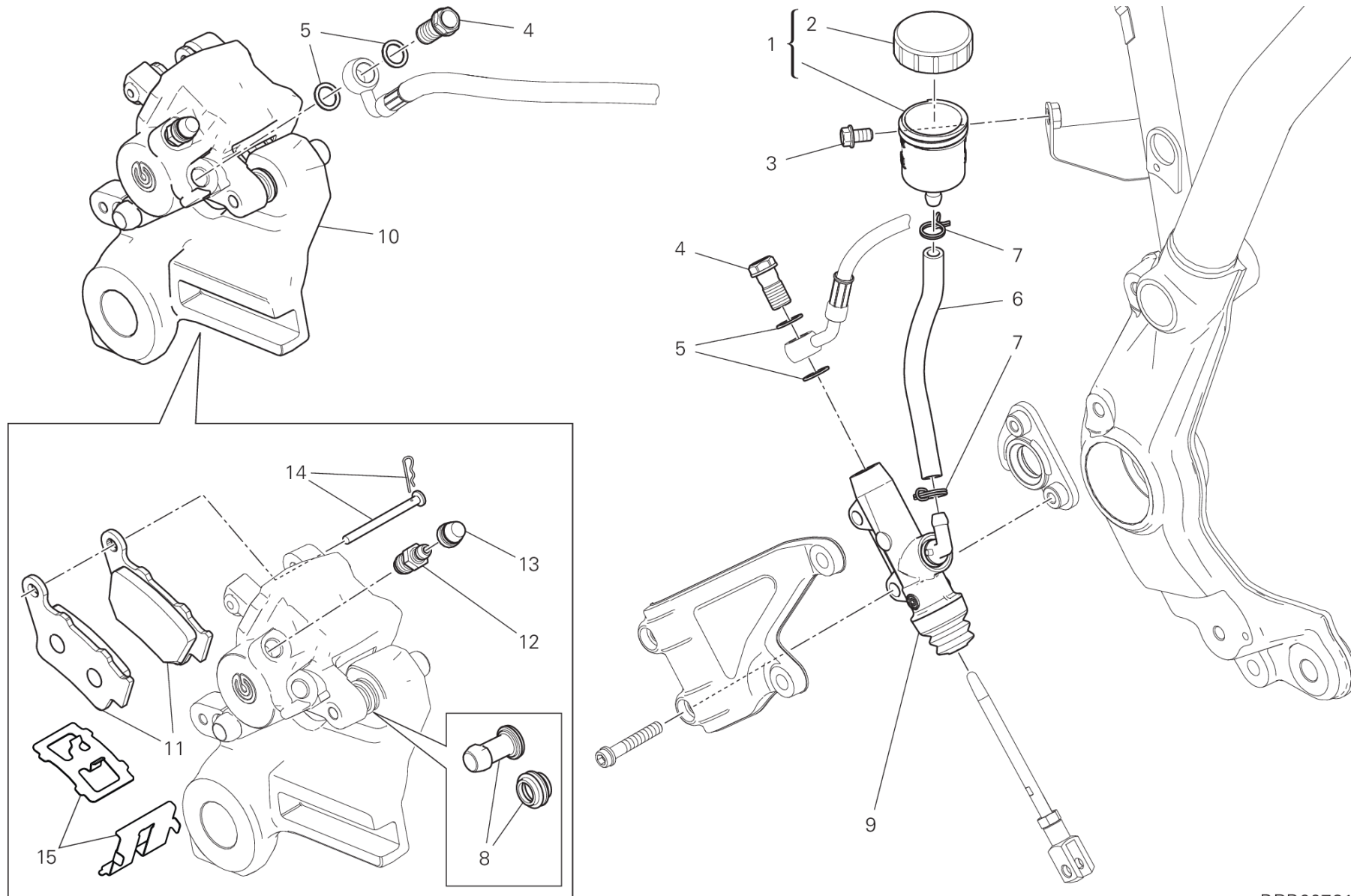
BRB00678

DRAWING 20C - BRAKING SYSTEM ABS [MOD:SCR800DS]

GROUP FRAME



POS.	CODE	DESCRIPTION	QTY	START DATE	END DATE	VALIDITY	NOTES
1	61911111A	CPU - REAR CALIPER LINE	1	21/05/2018			
2	77240453C	SCREW TBEIF M6X22 10.9	2	05/02/2018			
3	71610031A	SPACER	2	29/10/2014			
4	76410241A	VIBRATION DAMPER PAD	2	29/10/2014			
5	8301A771AA	BRACKET	1	05/02/2018			
6	77244173B	SCREW	4	01/08/2018			
7	61811231A	CPU - FRONT CALIPERS LINE	1	21/05/2018			
8	77913662AB	SCREW, SPECIAL	4	30/10/2014			
9	85250241A	WASHER 10X14X1	8	30/10/2014			
10	61911091A	REAR MASTER CYLINDER - CPU LINE	1	21/05/2018			
11	61811221A	FRONT MASTER CYLINDER - CPU LINE	1	21/05/2018			
12	54240851B	CONTROL UNIT ABS	1	01/09/2018			
13	74140381A	CLAMP	2	05/02/2018			
14	86611121A	RUBBER PAD	3	05/02/2018			



BRB00721

DRAWING 20D - REAR BRAKE SYSTEM [MOD:SCR800DS]

GROUP FRAME

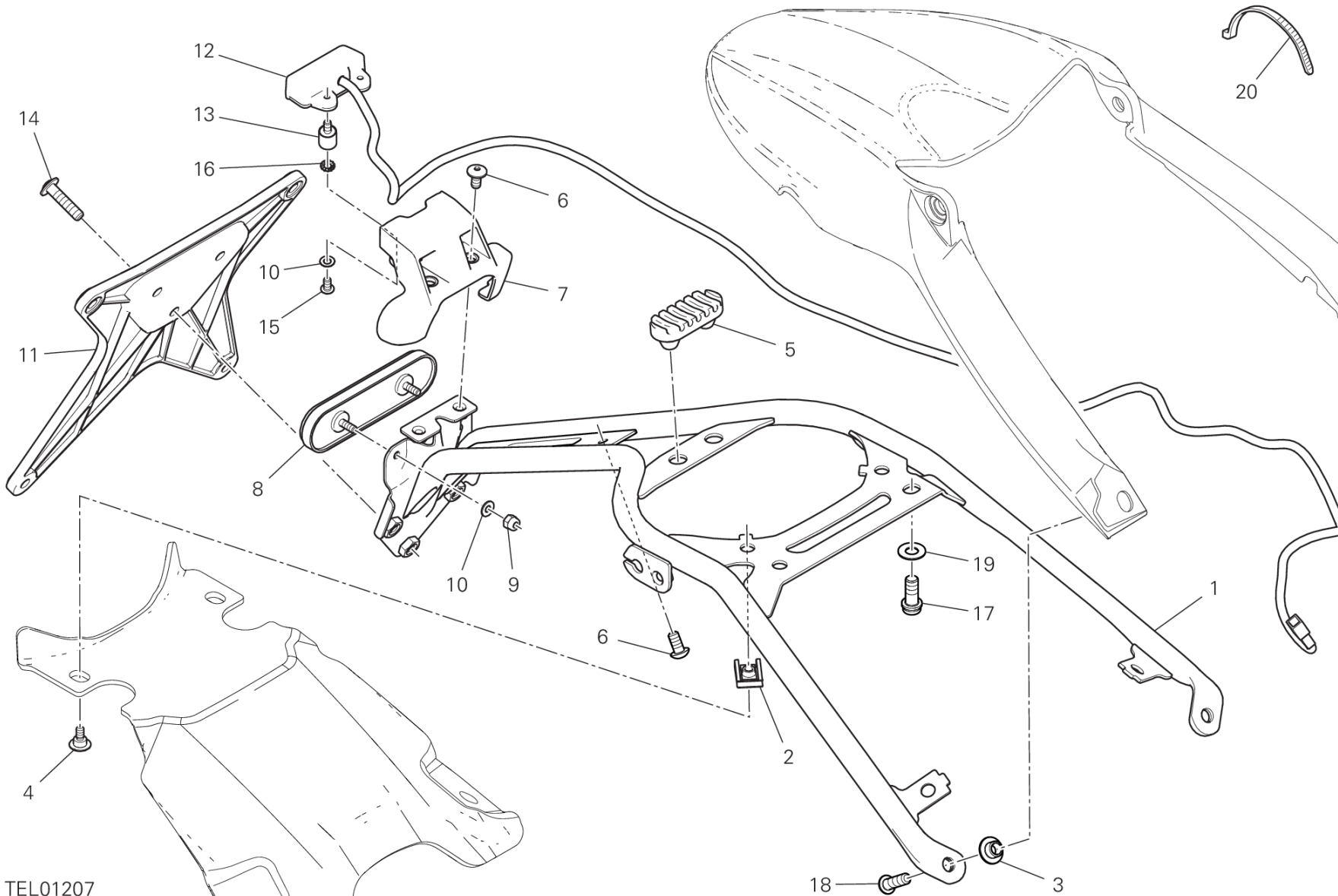


POS.	CODE	DESCRIPTION	QTY	START DATE	END DATE	VALIDITY	NOTES
1	58540311A	RESERVOIR, BRAKE FLUID	1	30/10/2014			
2	89340241A	COVER MASTER CYLINDER	1	24/12/2009			
3	77210591A	SCREW TEF M6X10	1				
4	77913662AB	SCREW, SPECIAL	2	30/10/2014			
5	85250241A	WASHER 10X14X1	4	30/10/2014			
6	87712471A	HOSE	1	21/05/2018			
7	74140431A	CLAMP	2	30/10/2014			
8	61240301A	DUST COVER	2	12/11/2014			
9	62540191A	REAR BRAKE PUMP	1	30/10/2014			
10	61140442A	REAR BRAKE CALIPER	1	16/03/2016			
11	61340761A	REAR BRAKE PADS SET	1	12/11/2014			
12	63140281A	DRAIN	1	12/11/2014			
13	61240081A	DUST PLUG (confezione da 20 pezzi)	1	12/11/2014			
14	61241221A	PAD PINS OVERHAUL SET	1	12/11/2014			
15	61240341A	SPRING, PAD STOPPER	1				



DRAWING 21A - PLATE HOLDER [MOD:SCR800DS;XST:EUR,GSO,ROK]

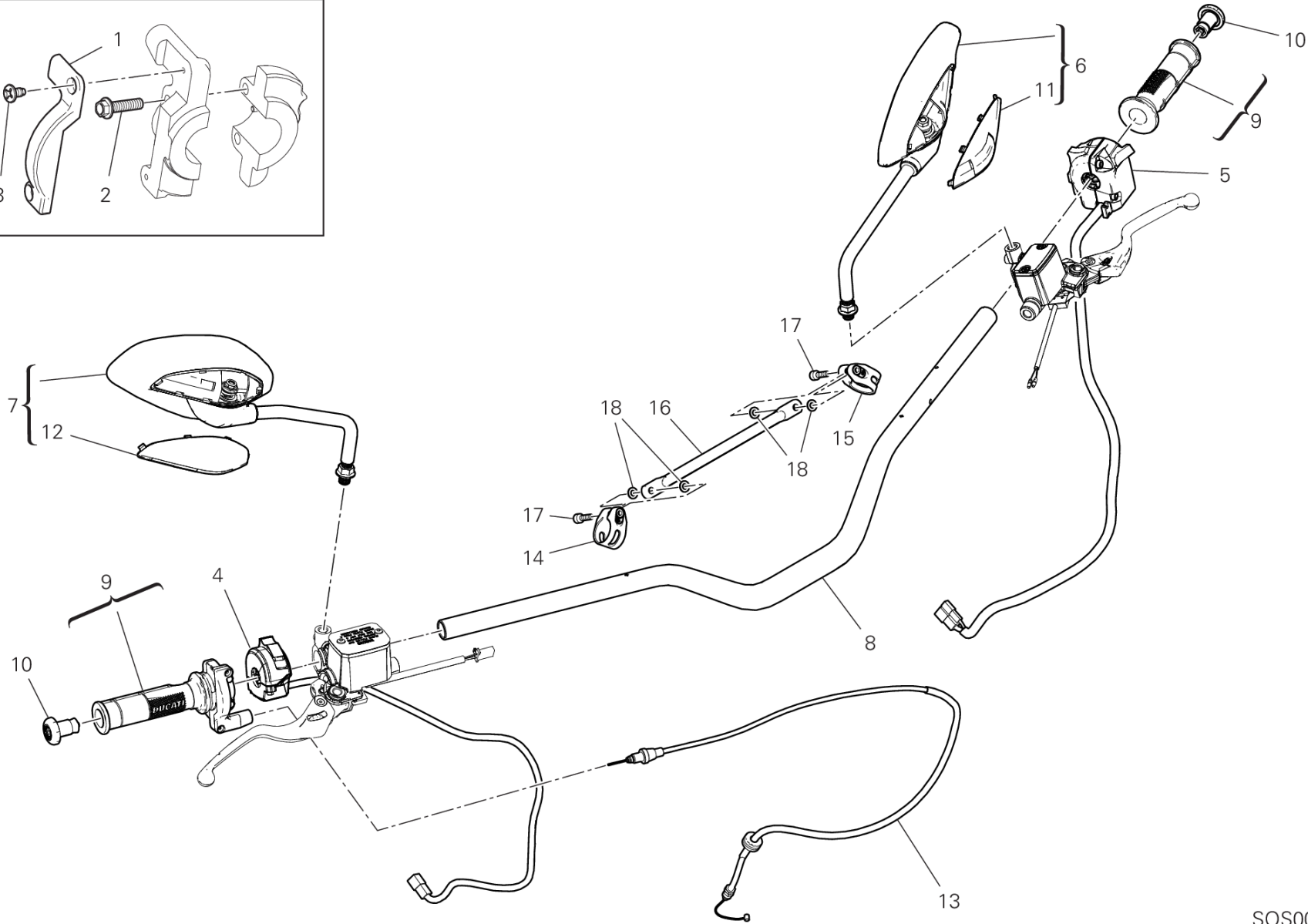
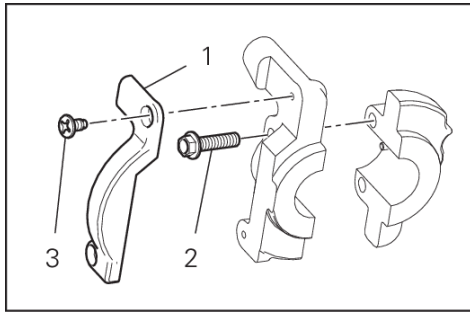
GROUP FRAME



TEL01207



POS.	CODE	DESCRIPTION	QTY	START DATE	END DATE	VALIDITY	NOTES
1	56113451BA	STAY COMP.	1	28/08/2018			
2	85041031A	NUT, SPRING M5	4	03/11/2014			
3	71614891AA	SPACER	2	28/08/2018			
4	77214411BA	SCREW, SPECIAL	4	28/08/2018			
5	86610191A	CUSHION, SEAT	1	03/11/2014			
6	77240253C	SCREW	3	29/10/2014			
7	4601D021A	COVER LAMP, LICENSE PLATE	1	29/10/2014			
8	52910091C	REFLEX REFLECTOR, REAR	1	29/10/2014			
9	74950011B	NUT, SPRING	2	29/10/2014			
10	85212511A	WASHER 4.5X9X0.5	4	29/10/2014			
11	56113392A	PLATE HOLDER	1	17/03/2015			
12	52510431G	LAMP, LICENSE PLATE	1	28/08/2018			
13	70010691A	VIBRATION DAMPER	2	29/10/2014			
14	77240418C	SCREW	3	29/10/2014			
15	77510161A	SCREW	2	29/10/2014			
16	85550021A	TOOTHED LOCK WASHER	2	29/10/2014			
17	77157213B	SCREW TCEIF M8X16	2	28/08/2018			
18	77240453C	SCREW TBEIF M6X22 10.9	2	28/08/2018			
19	85213101A	WASHER	2	28/08/2018			
20	069191030	CLAMP	21	28/08/2018			



SOS00959

DRAWING 22A - HANDLEBAR [MOD:SCR800DS]

GROUP FRAME

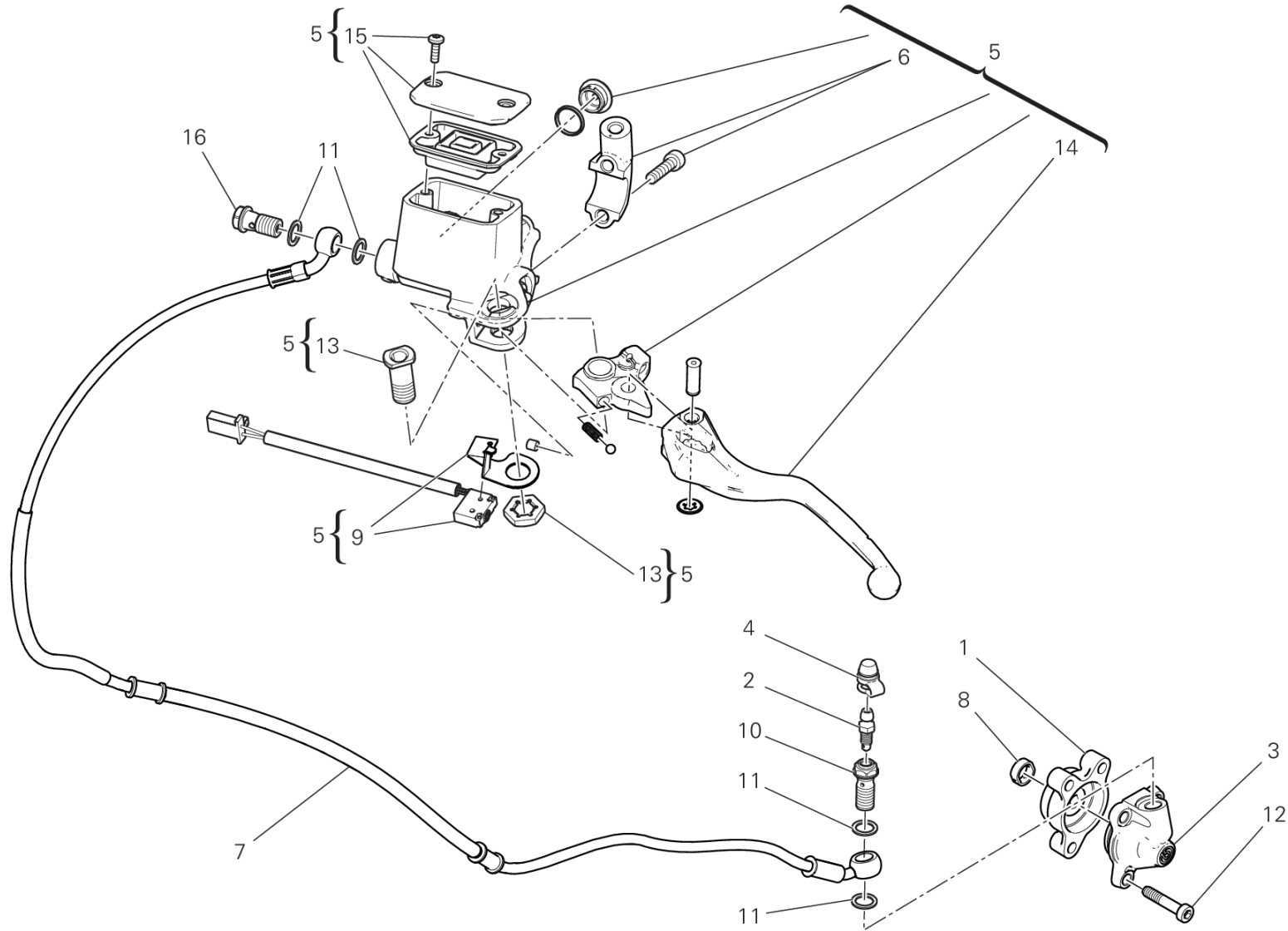


POS.	CODE	DESCRIPTION	QTY	START DATE	END DATE	VALIDITY	NOTES
1	65840041A	CAP, GRIP UPPER	1	30/05/2018			
2	77251018B	SCREW TEF M6X20	2	30/05/2018			
3	800066774	SCREW TCIC M4X0.7X8	2	30/05/2018			
4	65010243C	RIGHT SWITCH	1			XST:EUR,GSO,ROK	
5	65110271C	LEFT SWITCH	1	01/06/2018			
6	52310482B	REAR-VIEW MIRROR L.H.	1	09/01/2018			
7	52310492B	REAR-VIEW MIRROR R.H.	1	09/01/2018			
8	36015781CA	HANDLEBAR	1	01/09/2018			
9	65420521A	THROTTLE CONTROL	1	30/05/2018			
10	87210691A	PLUG HANDLEBAR	2	05/02/2018			
11	24715051A	LEFT COVER	1				
12	24715041A	RIGHT COVER	1				
13	65611021B	THROTTLE CABLE	1	30/05/2018			
14	36015541AA	CLAMP RIGHT	1	21/02/2018			
15	36015551AA	CLAMP LEFT	1	21/02/2018			
16	36015621AA	ROD HANDLEBAR	1	21/02/2018			
17	77156673C	SCREW	2	04/06/2018		PLT:DB10	
18	85212641A	WASHER 6.4X12.5X1.6	4	21/02/2018			



DRAWING 22B - CLUTCH CONTROL [MOD:SCR800DS]

GROUP FRAME



BRB00757

DESERT SLED /19

020000019

DRAWING 22B - CLUTCH CONTROL [MOD:SCR800DS]

GROUP FRAME



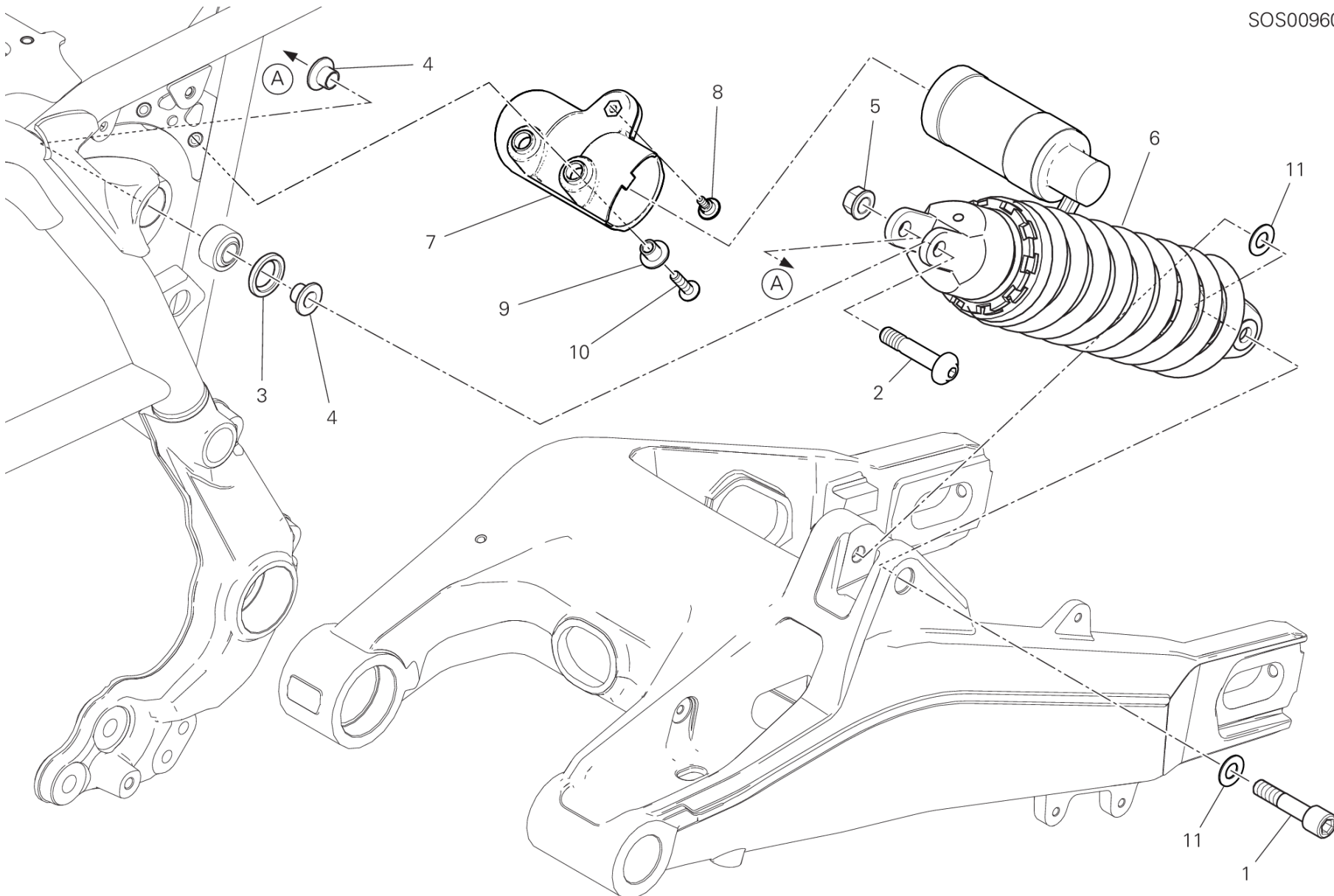
POS.	CODE	DESCRIPTION	QTY	START DATE	END DATE	VALIDITY	NOTES
1	19510411D	SPACER	1				
2	18710021A	VALVE, BREATHER	1				
3	19540081B	PISTON ASSEMBLY	1	21/03/2018			
4	61240052A	DUST COVER	1				
5	63040801A	CLUTCH MASTER CYLINDER	1	01/06/2018			
6	62640291A	BRACKET, CLUTCH MASTER CYLINDER	1				
7	63210871A	CLUTCH CONTROL PIPE	1	21/05/2018			
8	78811641C	GASKET	1				
9	53940931A	MICROSWITCH	1				
10	77913971A	BOLT, BRAKE HOSE	1				
11	85250241A	WASHER 10X14X1	4				
12	77354898B	SCREW TCEIR M6X30	3				
13	62640601A	BOLT, PIVOT	1	12/03/2018			
14	63140661A	CLUTCH LEVER	1	12/03/2018			
15	89340271A	PLUG	1	12/03/2018			
16	77913662AB	SCREW, SPECIAL	1				



DRAWING 23A - REAR SHOCK ABSORBER [MOD:SCR800DS]

GROUP FRAME

SOS00960



DRAWING 23A - REAR SHOCK ABSORBER [MOD:SCR800DS]

GROUP FRAME

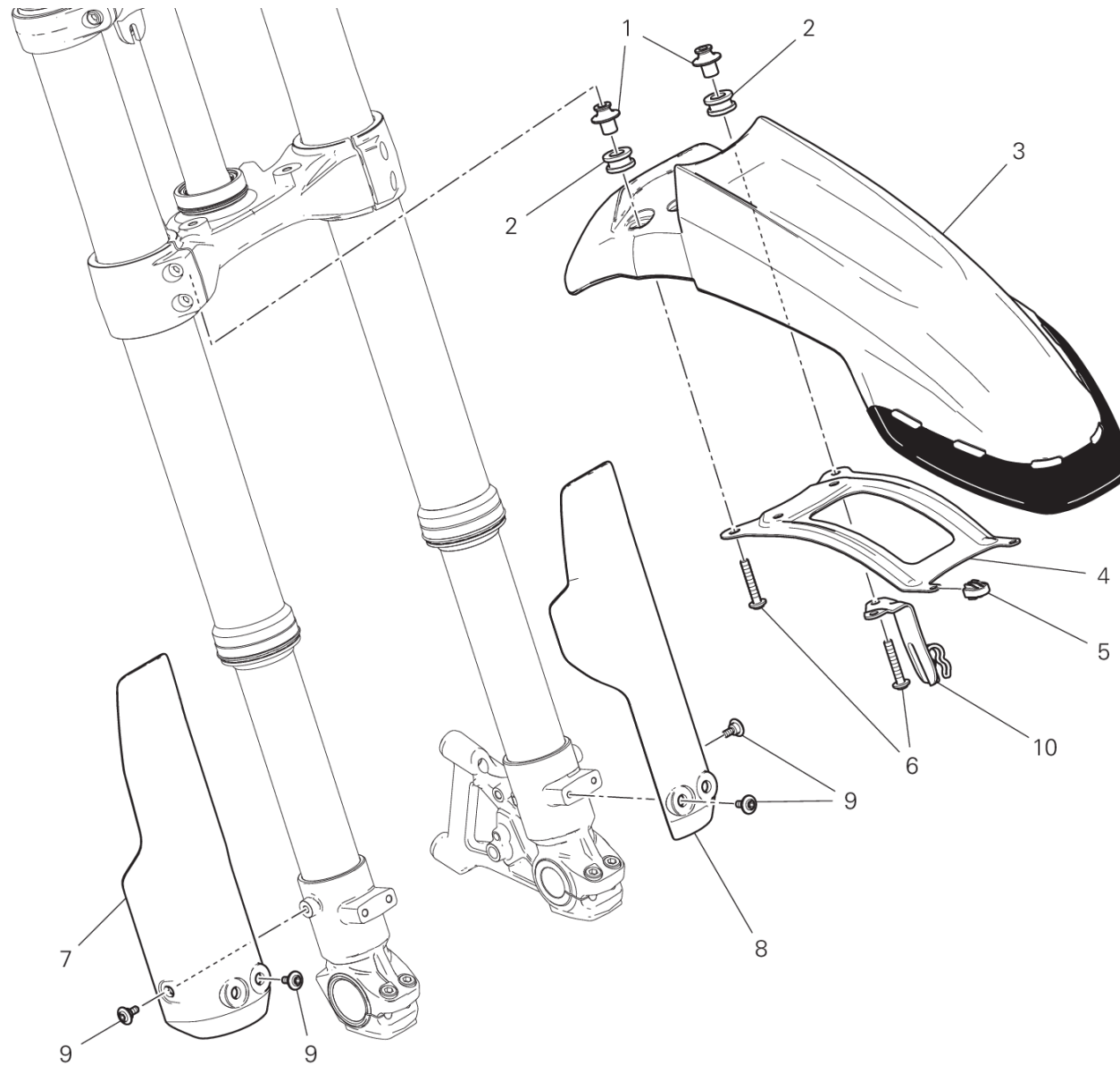


POS.	CODE	DESCRIPTION	QTY	START DATE	END DATE	VALIDITY	NOTES
1	7791A561AA	SCREW, SPECIAL	1	28/08/2018			
2	7791A991AA	SCREW, SPECIAL	1	28/08/2018			
3	71510081B	SPACER	1	29/10/2014			
4	71615511AA	SPACER	2	28/08/2018			
5	74850021A	NUT	1	29/10/2014			
6	36521661A	REAR SHOCK ABSORBER	1	28/08/2018			
7	8291G261A	TANK SUPPORT	1	01/08/2018			
8	77214411BA	SCREW, SPECIAL	1	01/08/2018			
9	71610221B	SPACER	2	01/08/2018			
10	77240453C	SCREW TBEIF M6X22 10.9	2	01/08/2018			
11	85210491B	WASHER 10.5X28X1.5	2	28/08/2018			



DRAWING 24A - FRONT MUDGUARD [MOD:SCR800DS]

GROUP FRAME



VST01874

DRAWING 24A - FRONT MUDGUARD [MOD:SCR800DS]

GROUP FRAME

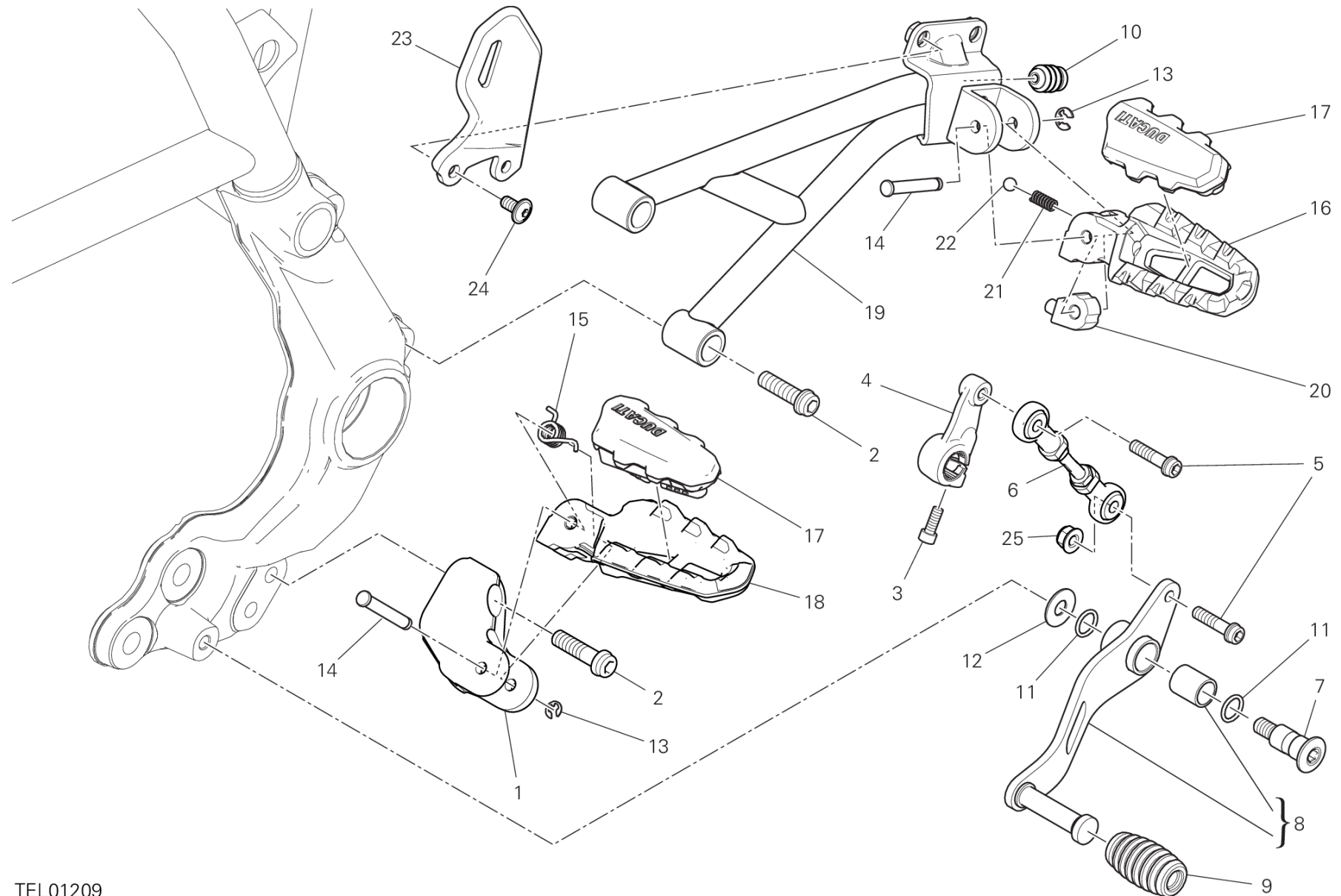


POS.	CODE	DESCRIPTION	QTY	START DATE	END DATE	VALIDITY	NOTES
1	71615031BA	SPACER	4	01/08/2018			
2	76411481B	RUBBER PAD	4	01/08/2018			
3	56426522AA	FRONT MUDGUARD WHITE	1	01/08/2018			
4	8301A151AA	BRACE, FRONT FENDER	1	01/08/2018			
5	76412181A	RUBBER PAD	2	01/08/2018			
6	77244403B	SCREW	4	01/08/2018			
7	4601E821A	RIGHT COVER YOKE	1	01/08/2018			
8	4601E831A	PROTECTION, LEFT YOKE	1	01/08/2018			
9	77214411BA	SCREW, SPECIAL	6	01/08/2018			
10	8271F301BA	BRACKET, BRAKE HOSE FRONT	1	01/08/2018			



DRAWING 26A - FOOTRESTS, LEFT [MOD:SCR800DS]

GROUP FRAME



TEL01209

DESERT SLED /19

020000019

DRAWING 26A - FOOTRESTS, LEFT [MOD:SCR800DS]

GROUP FRAME

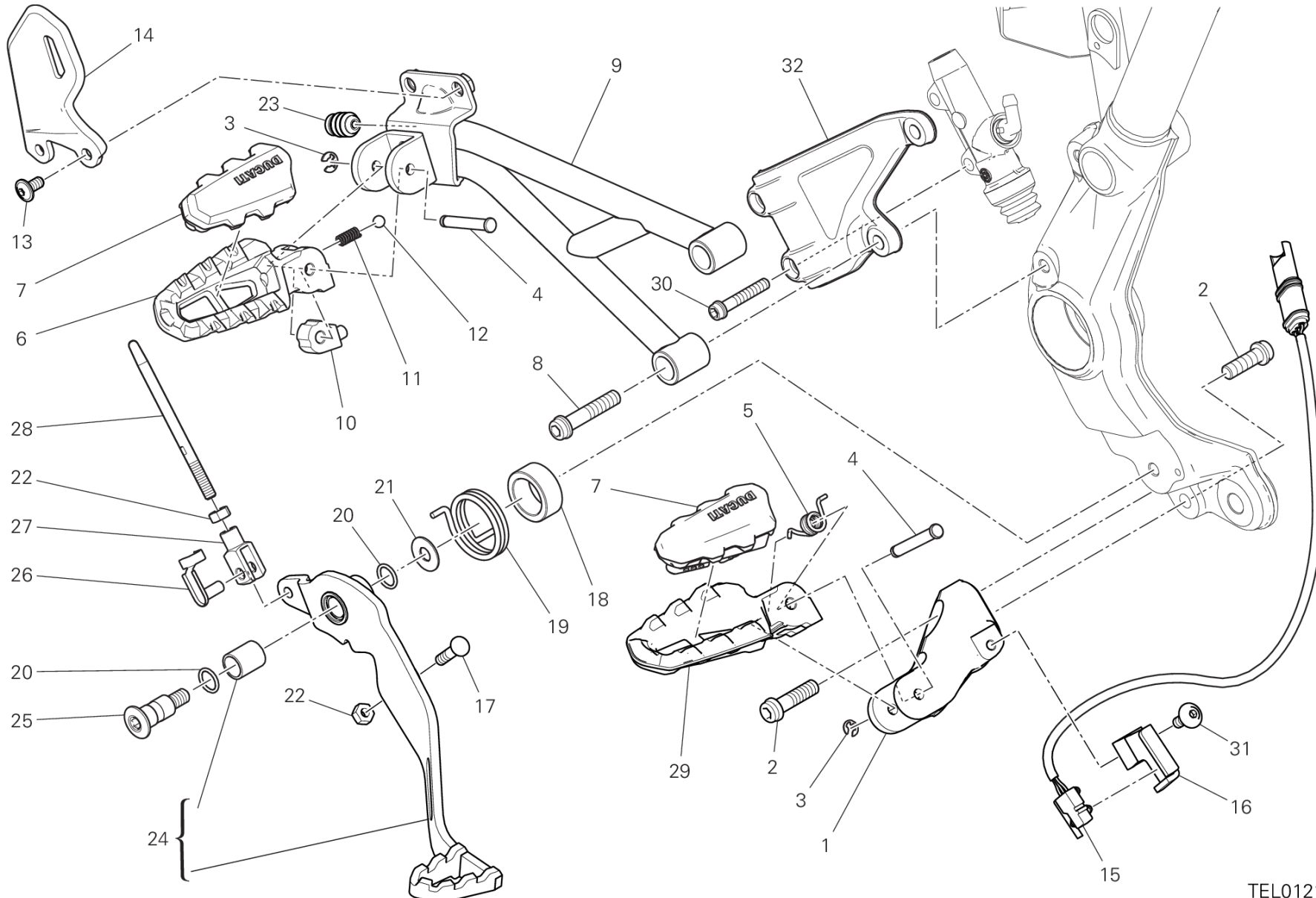


POS.	CODE	DESCRIPTION	QTY	START DATE	END DATE	VALIDITY	NOTES
1	82413661AA	FRONT L.H. PLATE	1	28/08/2018			
2	7715727BF	SCREW	4	28/08/2018			
3	77110191A	SCREW TCEIF M6X20	1	29/10/2014			
4	45612351AA	GEAR CONTROL LEVER	1	28/08/2018			
5	77156688B	SCREW TCEIF	2	29/10/2014			
6	11723561B	ROD, GEAR SHIFT LINK	1	29/10/2014			
7	82111701CA	PIN PEDAL	1	28/08/2018			
8	45622331AA	GEARCHANGE LEVER	1	28/08/2018			
9	76510111A	RUBBER PAD	1	01/03/2016			
10	87211281A	PLUG	2	01/08/2018			
11	88641161A	O-RING	2	28/08/2018			
12	85211511A	WASHER	1	28/08/2018			
13	88450031A	CIRCLIP E-TYPE	2	28/08/2018			
14	82110681CA	FOOTREST PIN	2	28/08/2018			
15	79914991A	SPRING. FOOTREST	1	28/08/2018			
16	46410601AA	LEFT FOOTREST	1	28/08/2018			
17	76510031A	FOOT PEG RUBBER COVER L.H.	2	28/08/2018			
18	46411091AA	LEFT FOOTREST	1	28/08/2018			
19	46510742BA	REAR L.H. PLATE	1	28/08/2018			
20	69610131A	SPRING RETAINER	1	28/08/2018			
21	79910241B	SPRING	1	28/08/2018			
22	84740021A	BALL	1	28/08/2018			
23	4601E951BA	HEEL GUARD L.H.	1	01/08/2018			
24	77240403C	SCREW	2	01/08/2018			
25	74940041A	NUT, SELF-LOCKING M6	1	28/08/2018			



DRAWING 26B - FOOTRESTS, RIGHT [MOD:SCR800DS]

GROUP FRAME



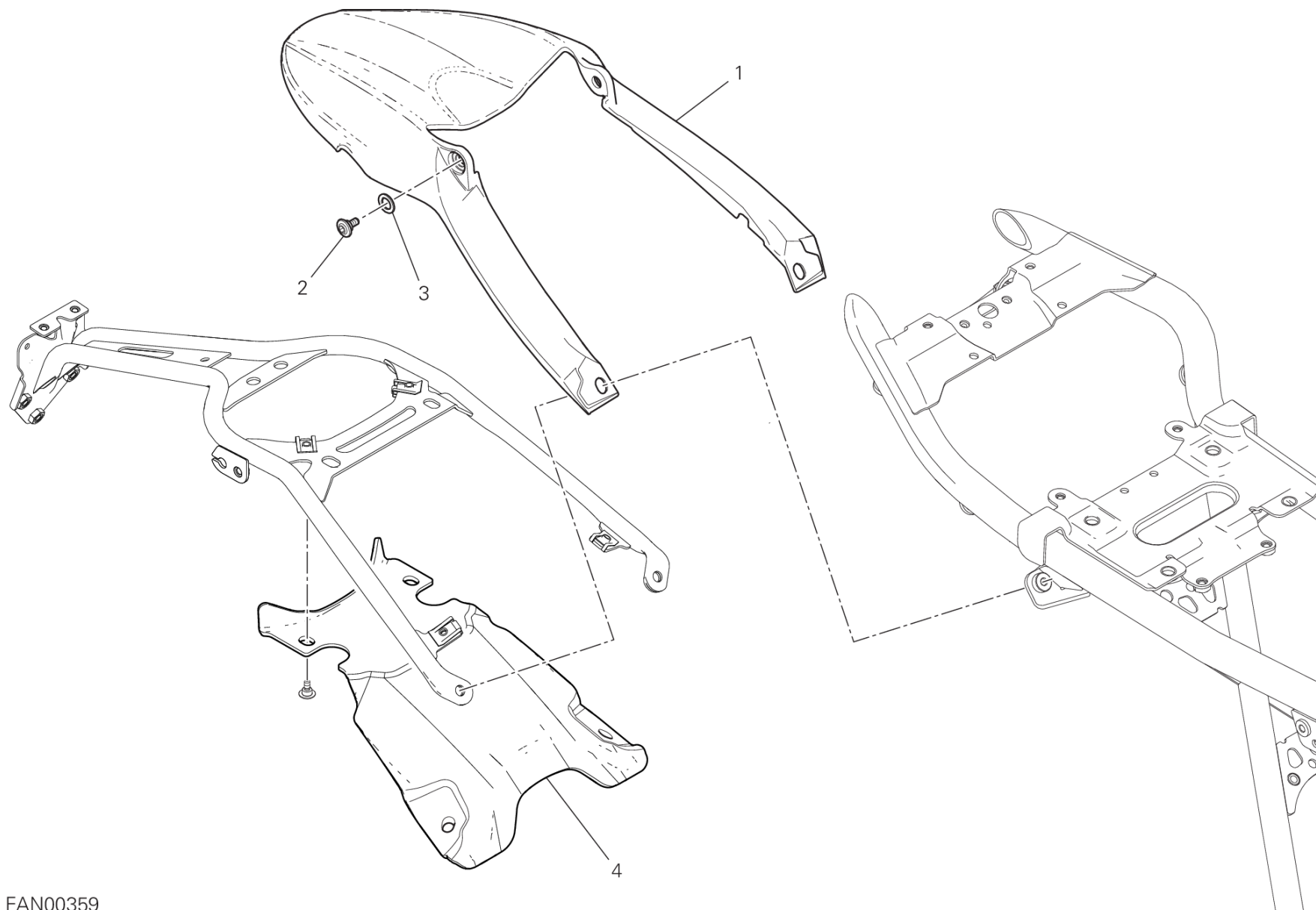
TEL01210

DRAWING 26B - FOOTRESTS, RIGHT [MOD:SCR800DS]

GROUP FRAME



POS.	CODE	DESCRIPTION	QTY	START DATE	END DATE	VALIDITY	NOTES
1	82413651AA	FRONT R.H. PLATE	1	28/08/2018			
2	7715727BF	SCREW	2	28/08/2018			
3	88450031A	CIRCLIP E-TYPE	2	28/08/2018			
4	82110681CA	FOOTREST PIN	2	28/08/2018			
5	79914991A	SPRING. FOOTREST	1	29/10/2014			
6	46410591AA	RIGHT FOOTREST	1	28/08/2018			
7	76510021A	FOOT PEG RUBBER COVER R.H.	2	28/08/2018			
8	7715128BG	SCREW	2	28/08/2018			
9	46510752BA	REAR R.H. PLATE	1	28/08/2018			
10	69610131A	SPRING RETAINER	1	28/08/2018			
11	79910241B	SPRING	1	28/08/2018			
12	84740021A	BALL	1	28/08/2018			
13	77240403C	SCREW	2	01/08/2018			
14	4601E941BA	HEEL GUARD R.H.	1	01/08/2018			
15	53940901A	SWITCH, REAR BRAKE	1	01/08/2018			
16	8301A821AA	BRACKET	1	28/08/2018			
17	77912371B	SCREW	1	28/08/2018			
18	71210651B	BUSH	1	24/09/2018			
19	79916461A	SPRING, RETURN	1	28/08/2018			
20	88641161A	O-RING	2	28/08/2018			
21	85211511A	WASHER	1	28/08/2018			
22	74750031A	NUT 6MM	2	28/08/2018			
23	87211281A	PLUG	2	01/08/2018			
24	45721081AA	BRAKE CONTROL LEVER	1	28/08/2018			
25	82111701CA	PIN PEDAL	1	28/08/2018			
26	85010151A	QUICK FASTENING	1	29/10/2014			
27	18410051A	FORK HEADS DIN 71752	1	12/11/2013			
28	11711741AA	ROD, BRAKE	1	29/03/2016			
29	46411081AA	RIGHT FOOTREST	1	28/08/2018			
30	77150713B	SCREW	2	28/08/2018			
31	77210601A	SCREW TEF M6X16	1	28/08/2018			
32	8301F041AA	BRACKET, REAR MASTER CYLINDER	1	28/08/2018			



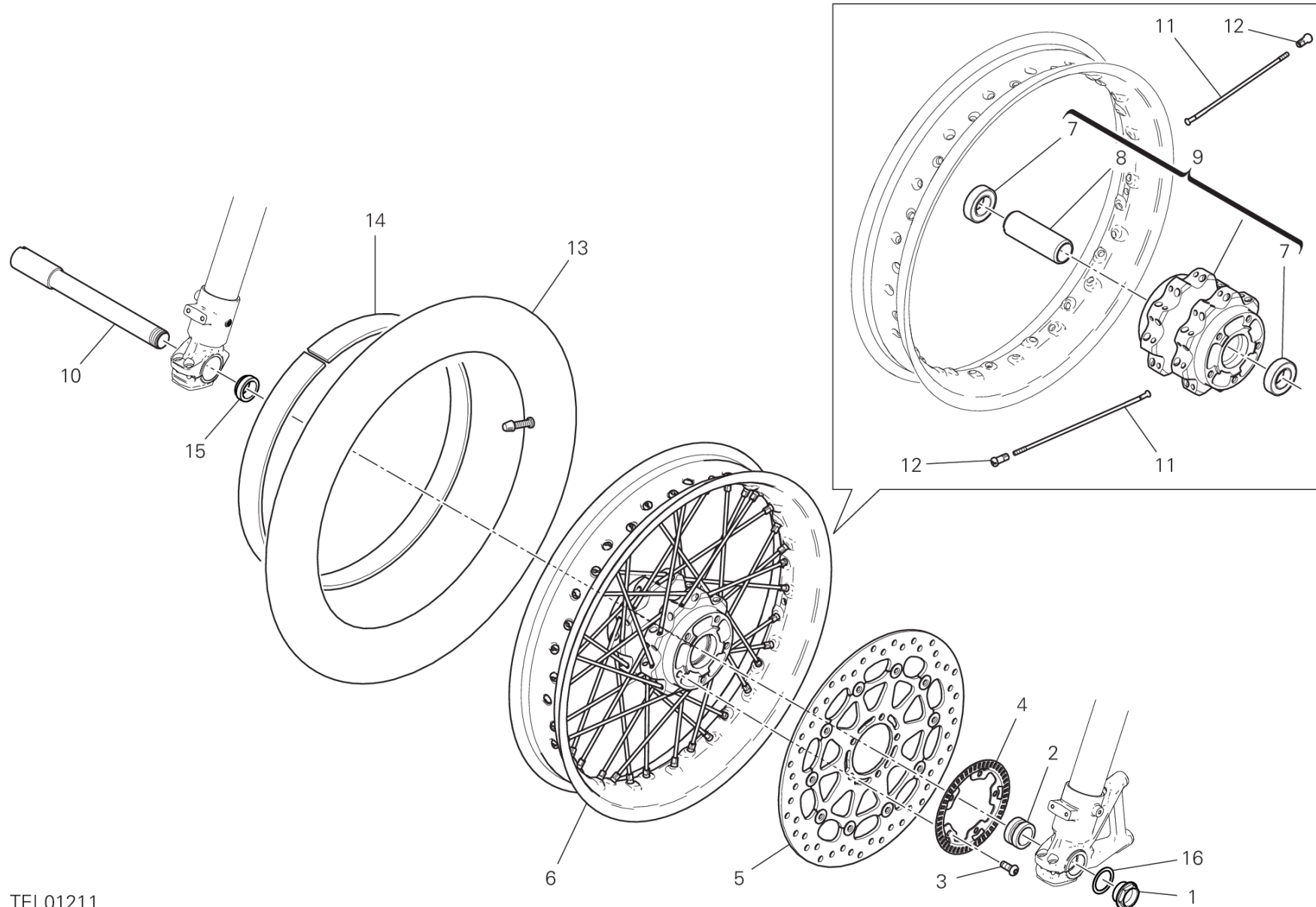
FAN00359

DRAWING 27A - REAR MUDGUARD [MOD:SCR800DS]

GROUP FRAME



POS.	CODE	DESCRIPTION	QTY	START DATE	END DATE	VALIDITY	NOTES
1	56511171BA	REAR MUDGUARD WHITE	1	28/08/2018			
2	77214411BA	SCREW, SPECIAL	2	29/10/2014			
3	85212181A	WASHER, NYLON 9X14X1	2	29/10/2014			
4	56511211A	REAR MUDGUARD LOWER	1	28/08/2018			



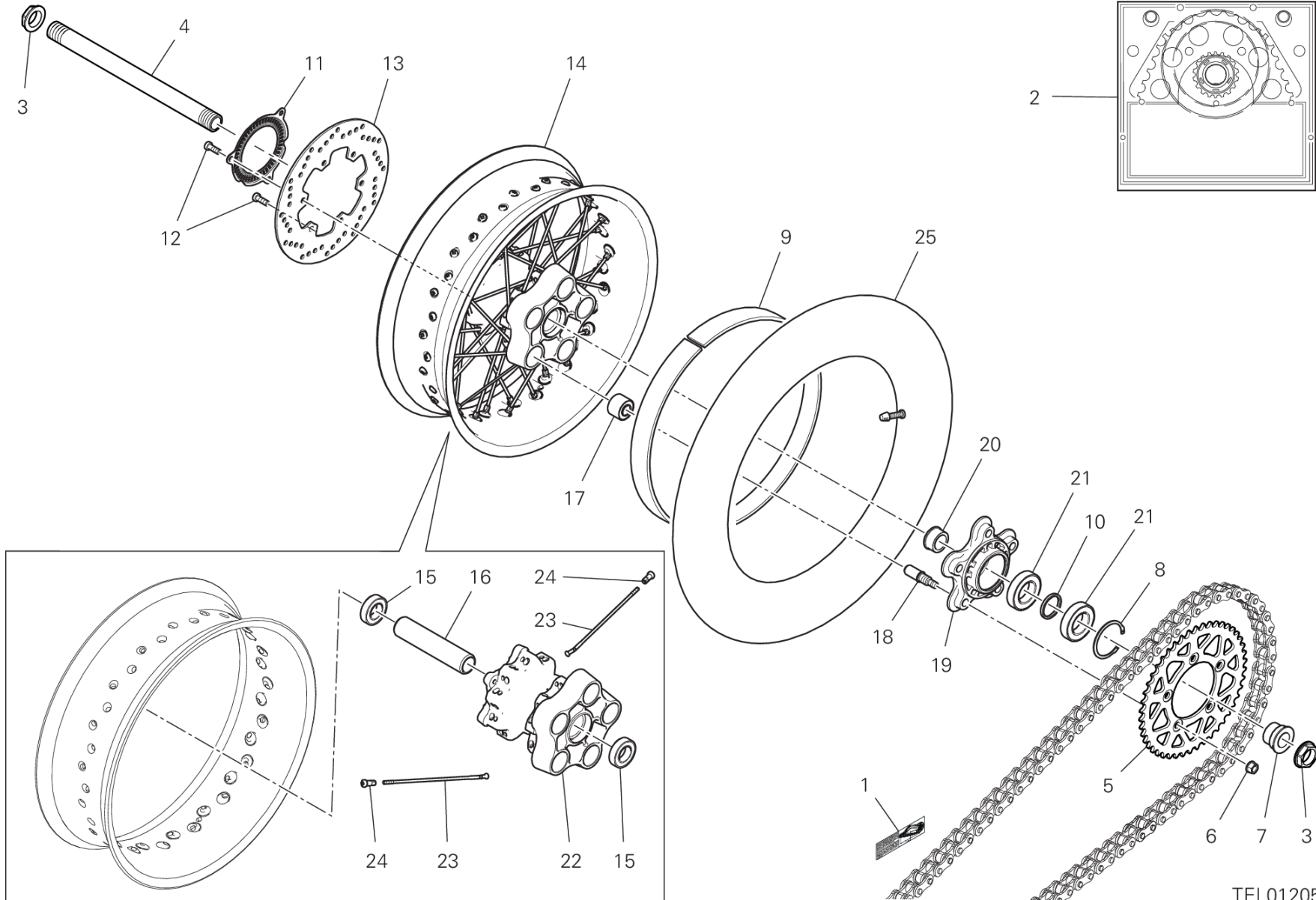
TEL01211

DRAWING 28A - FRONT WHEEL [MOD:SCR800DS]

GROUP FRAME



POS.	CODE	DESCRIPTION	QTY	START DATE	END DATE	VALIDITY	NOTES
1	74810651A	NUT	1	28/08/2018			
2	71311973A	LEFT SPACER	1	29/10/2014			
3	72010513C	SCREW	5	12/11/2013			
4	50410051A	PHONIC WHEEL	1	12/11/2013			
5	49241411A	FRONT BRAKE DISC	1	12/11/2013			
6	50122141AB	FRONT WHEEL RIM	1	04/06/2017			
7	70250451A	BEARING	2	28/01/2016			
8	71413281AA	INNER SPACER	1	18/09/2018			
9	16220591AA	HUB, FRONT WHEEL	1	04/06/2017			
10	81910842AA	FRONT WHEEL SPINDLE	1	28/08/2018			
11	49640061A	SPOKE, WHEEL	36	04/06/2017			
12	81540051AA	NIPPLE, SPOKE	36	09/05/2018			
13	50340061A	AIR TUBE FRONT	1	04/06/2017			
14	46044751A	GUARD AIR TUBE	1	04/06/2017			
15	71413261AA	RIGHT SPACER	1	28/08/2018			
16	85212221A	WASHER	1	28/08/2018			



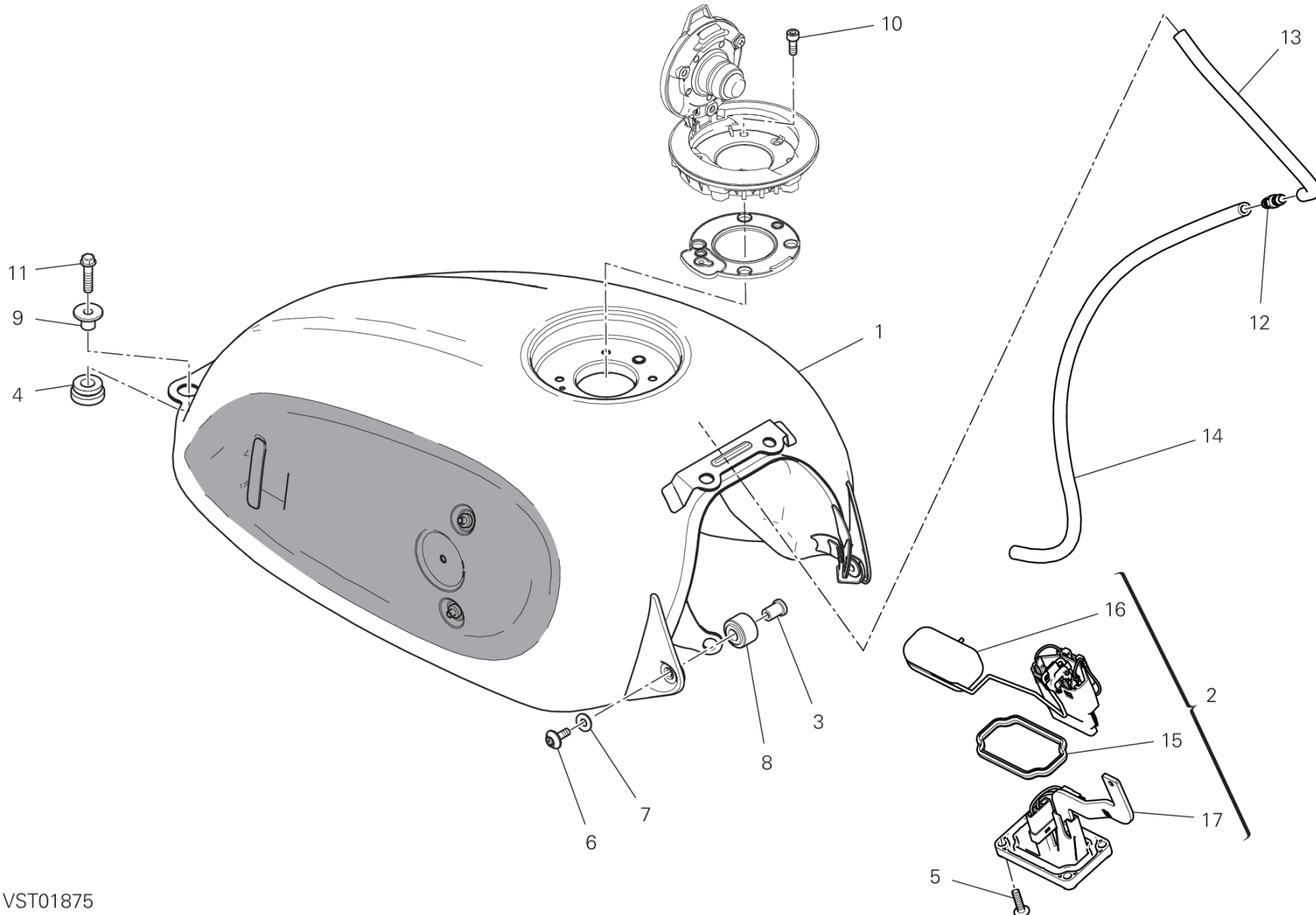
TEL01205

DRAWING 29A - REAR WHEEL [MOD:SCR800DS]

GROUP FRAME



POS.	CODE	DESCRIPTION	QTY	START DATE	END DATE	VALIDITY	NOTES
1	43314501H	CHAIN ADJUSTMENT STICKER	1	19/12/2018		MOD:SCR800DS;XST:ROK	
	43314502A	CHAIN ADJUSTMENT STICKER	1			MOD:SCR800DS;XST:EUR,GSO	
2	67621041A	FINAL DRIVE KIT	1			MOD:SCR800DS	
3	74810232B	NUT	2	09/01/2018			
4	81910791AA	REAR WHEEL SPINDLE	1	09/01/2018			
5	49411611AA	REAR SPROCKET T44	1	18/04/2017		XST:ROK	
	49411651AA	REAR SPROCKET T46	1	01/09/2014		XST:EUR,GSO	
6	74840241AB	NUT M10X1.25	5	01/09/2014			
7	7131A811A	OUTSIDE SPACER	1	01/09/2014			
8	88440061A	CIRCLIP	1	18/04/2013			
9	46040321A	GUARD AIR TUBE	1	09/05/2018			
10	71311841A	INNER SPACER	1	18/04/2013			
11	50410061A	REAR PHONIC WHEEL	1	12/11/2013			
12	77351223BF	SCREW	6	09/05/2018			
13	49240032A	REAR BRAKE DISC	1	12/11/2013			
14	50221911AB	REAR WHEEL RIM	1	04/06/2017		MOD:SCR800DS	
15	70250621A	BEARING	2	19/03/2014			
16	7131B051AA	INNER SPACER	1	30/11/2018			
17	70010591A	WHEEL RUNNER BUSH	5	29/05/2014			
18	82110091B	SPRING DRIVE FIXING BUSH	5	01/09/2014			
19	16010922A	REAR SPROCKET FLANGE	1	18/01/2013			
20	7131A801A	INNER SPACER	1	29/10/2014			
21	70240381A	BEARING	2	18/04/2013			
22	16220481BA	HUB, REAR WHEEL	1	04/06/2017		MOD:SCR800DS	
23	49640031BA	SPOKE, WHEEL 194 MM	36	09/05/2018			
24	81540051AA	NIPPLE, SPOKE	36	09/05/2018			
25	50340021A	AIR TUBE (REAR)	1	09/05/2018			



VST01875

DRAWING 30A - TANK [MOD:SCR800DS]

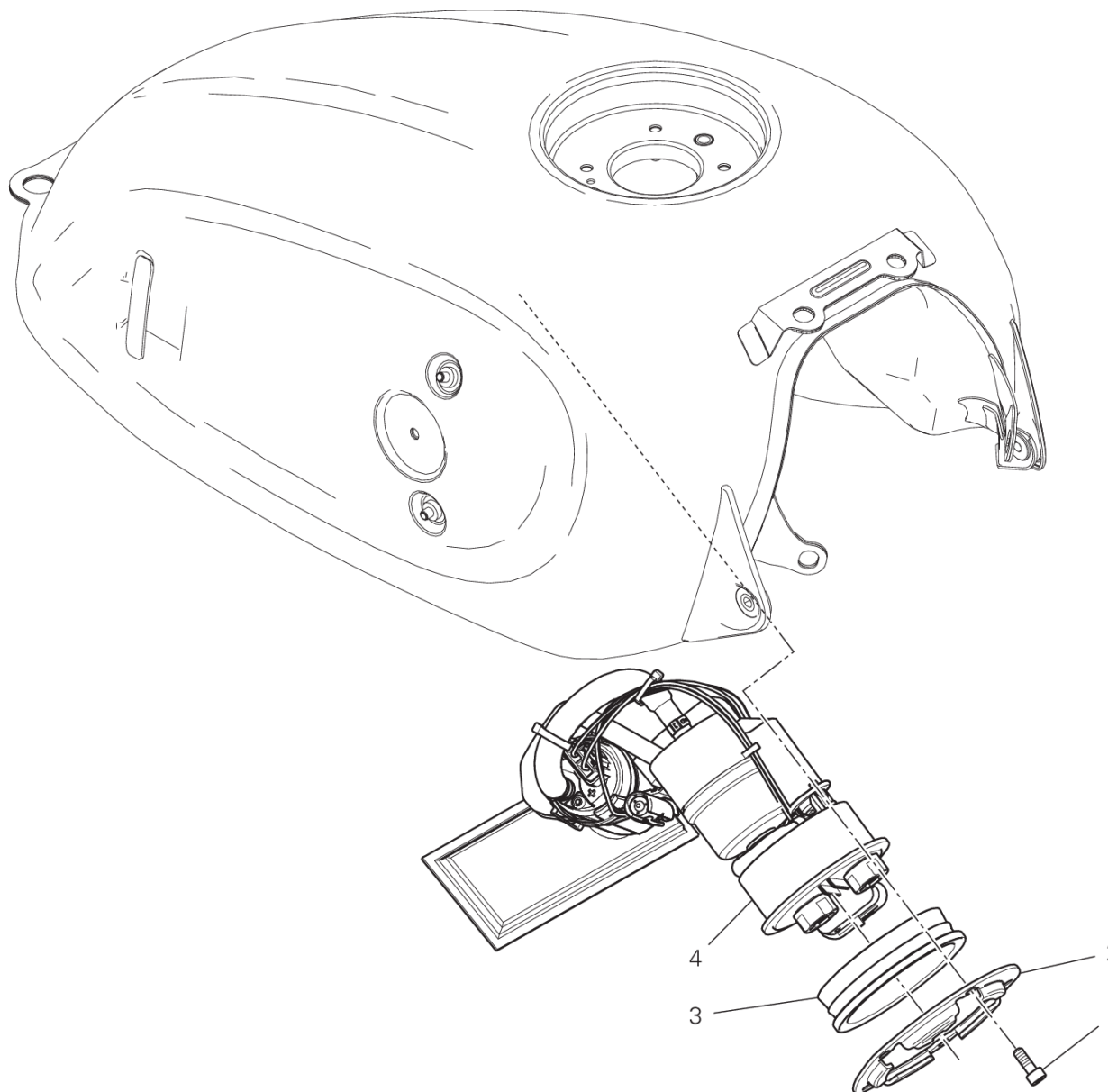
GROUP FRAME



POS.	CODE	DESCRIPTION	QTY	START DATE	END DATE	VALIDITY	NOTES
1	58612761BE	FUEL TANK, WHITE	1	09/04/2018		PLT:DB10	
2	59210261A	FUEL LEVEL GAUGE (Unit)	1	06/02/2018			
3	71614821C	BUSH	2	07/03/2018			
4	76412021B	RUBBER PAD	2	06/02/2018			
5	77244213B	SCREW	4	09/01/2018			
6	77919281AA	SCREW	2	09/01/2018			
7	85611361A	WASHER	2	09/01/2018			
8	86611851C	PAD, FUEL TANK	2	06/02/2018			
9	71614091A	SPACER	2	07/03/2018			
10	77150408B	SCREW TCEI M5X14	4	06/02/2018			
11	77251033B	SCREW TEF M6X25 8.8	2	07/03/2018			
12	81416361A	UNION	1	07/03/2018			
13	93510491A	BREATHER PIPE UPPER	1	07/03/2018			
14	93510501A	BREATHER PIPE LOWER	1	07/03/2018			
15	42520061A	GASKET	1	22/02/2018			
16	42520071A	FUEL LEVEL GAUGE	1	22/02/2018			
17	42520081A	FLANGE FUEL LEVEL SENSOR	1	22/02/2018			



IMP01163



DRAWING 30B - FUEL PUMP [MOD:SCR800DS]

GROUP FRAME

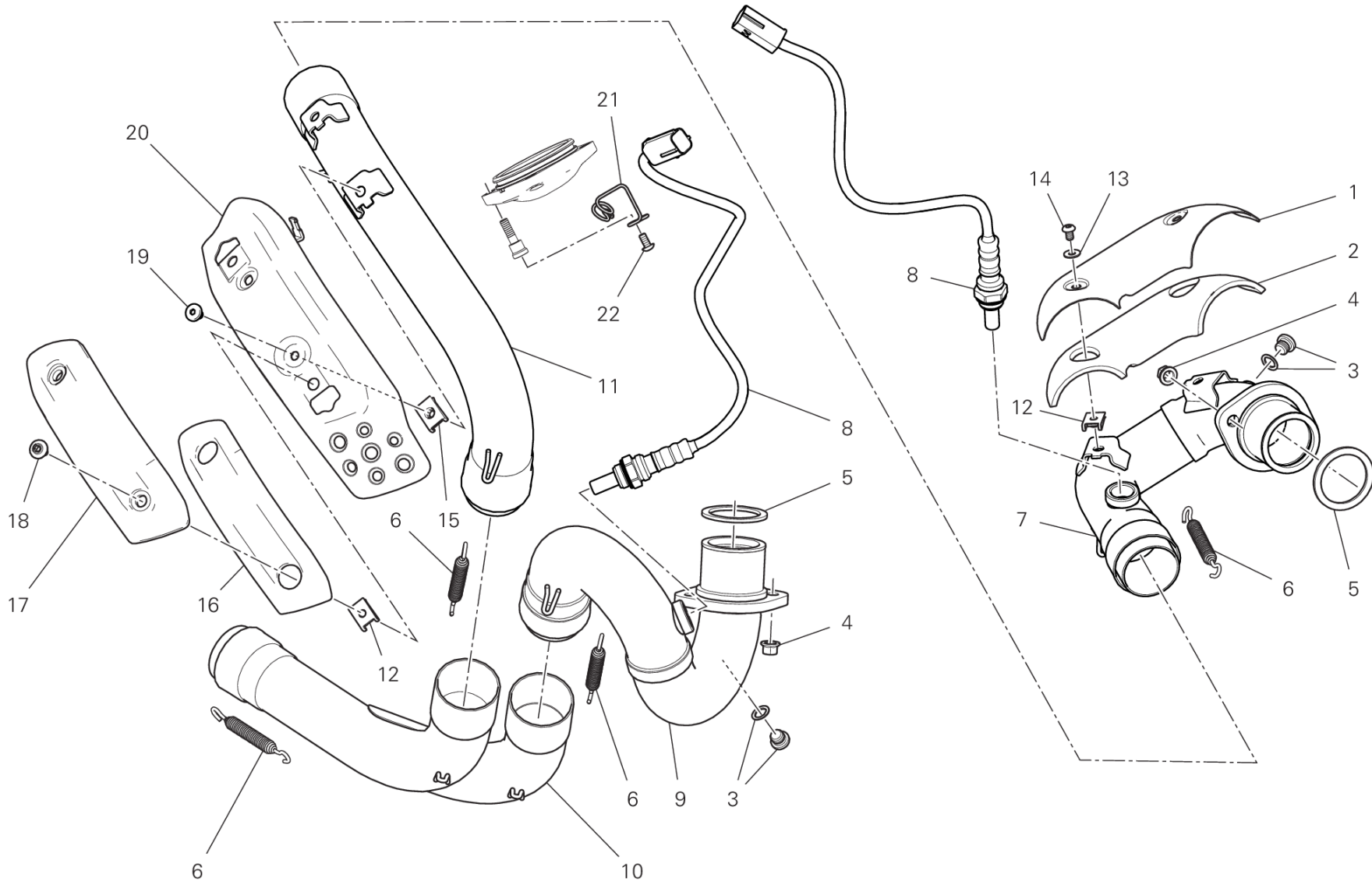


POS.	CODE	DESCRIPTION	QTY	START DATE	END DATE	VALIDITY	NOTES
1	77150408B	SCREW TCEI M5X14	5	29/10/2014			
2	16014853A	BRACKET FUEL PUMP	1	31/10/2014			
3	79111131B	GASKET FUEL PUMP	1	31/10/2014		XST:EUR,GSO,ROK	
4	16024381A	FUEL PUMP	1	06/02/2018			



DRAWING 31A - EXHAUSRT PIPE ASSY [MOD:SCR800DS]

GROUP FRAME



SCR00285

DRAWING 31A - EXHAUSRT PIPE ASSY [MOD:SCR800DS]

GROUP FRAME

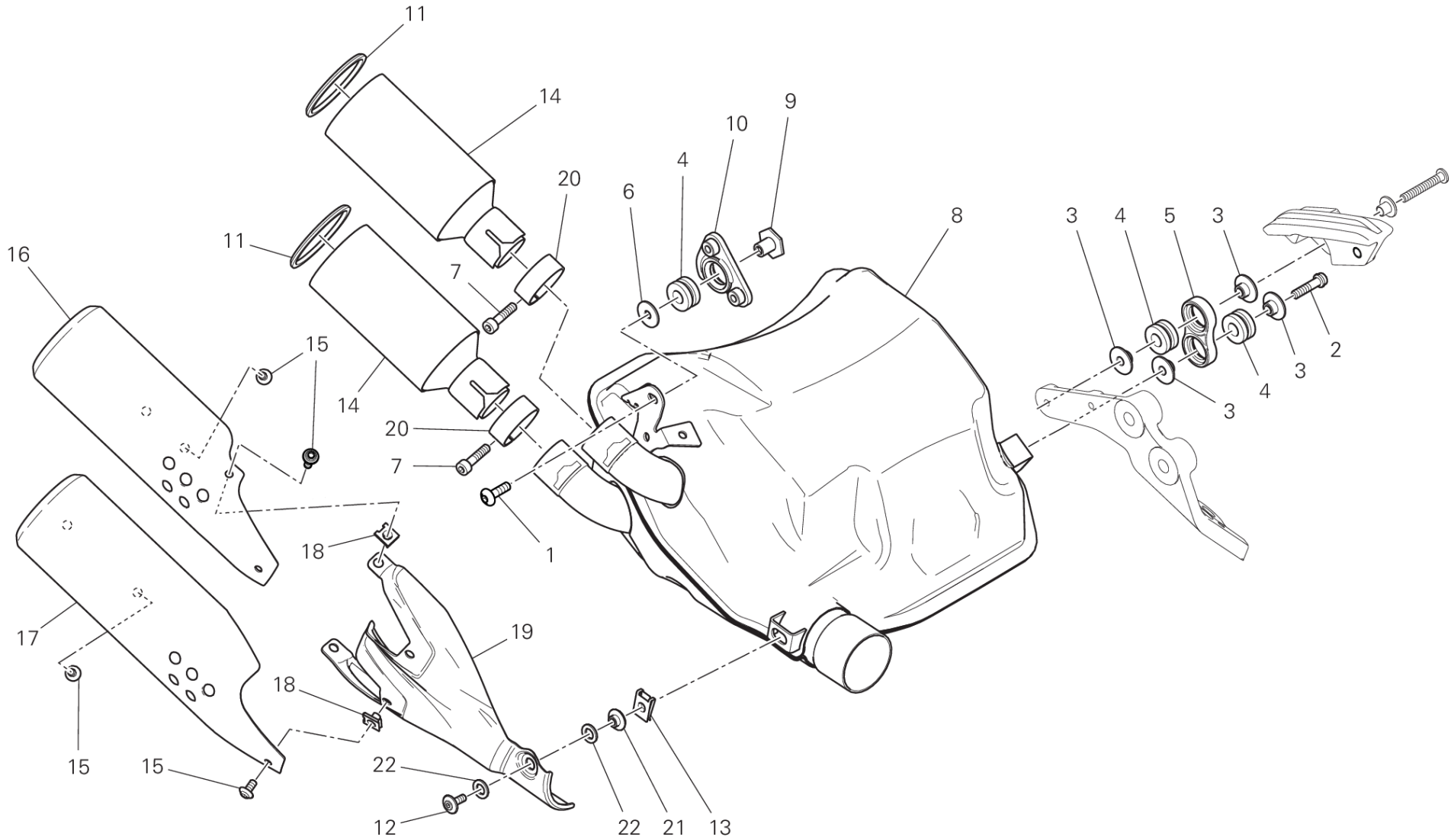


POS.	CODE	DESCRIPTION	QTY	START DATE	END DATE	VALIDITY	NOTES
1	4601C193AA	HEAT GUARD EXHAUST PIPE, VERTICAL HEAD	1	28/08/2018		MOD:SCR800DS	
2	4601C271B	THERMOREFLECTING PROTECTION EXHAUST PIPE, VERTICAL HEAD	1	29/10/2014			
3	78020011A	PLUG ASSY	2				
4	74840331A	NUT M8	4	29/10/2014			
5	79010261A	GASKET, EXHAUST PIPE	2	29/10/2014			
6	79925941A	COMPLETE SPRING	4	29/10/2014			
7	57114941AB	EXHAUST MANIFOLD VERTICAL	1	10/09/2018			
8	55212191A	SENSOR LAMBDA SOND	2	29/10/2014			
9	57014901AB	EXHAUST MANIFOLD HORIZONTAL	1	01/06/2018			
10	57211861AB	PIPE, EXHAUST CENTER	1	01/06/2018			
11	57114951AB	EXHAUST PIPE VERTICAL	1	01/06/2018			
12	85040551A	QUICK FASTENING	4	29/10/2014			
13	85240131A	WASHER 5.3X15X1	2	29/10/2014			
14	72050159EA	SCREW	2	29/10/2014			
15	85040381A	QUICK FASTENING	2	07/11/2014			
16	4601C601A	THERMOREFLECTING PROTECTION EXHAUST PIPE VERTICAL	1	07/11/2014			
17	4601C172A	HEAT GUARD UPPER EXHAUST PIPE VERTICAL	1	07/11/2014			
18	77214411BA	SCREW, SPECIAL	2	07/11/2014			
19	77211021A	SCREW TBEIF M6X10	2	07/11/2014			
20	4601C201BC	HEAT GUARD BOTTOM EXHAUST PIPE VERTICAL	1	01/09/2018		MOD:SCR800DS	
21	75810971A	FAIRLEAD SENSOR LAMBDA SOND	1	05/02/2018			
22	77510511B	SCREW TBEI M5X10	1	05/02/2018			



DRAWING 31B - EXHAUST SILENCER [MOD:SCR800DS;XST:EUR,GSO]

GROUP FRAME



SCR00287

DRAWING 31B - EXHAUST SILENCER [MOD:SCR800DS;XST:EUR,GSO]

GROUP FRAME

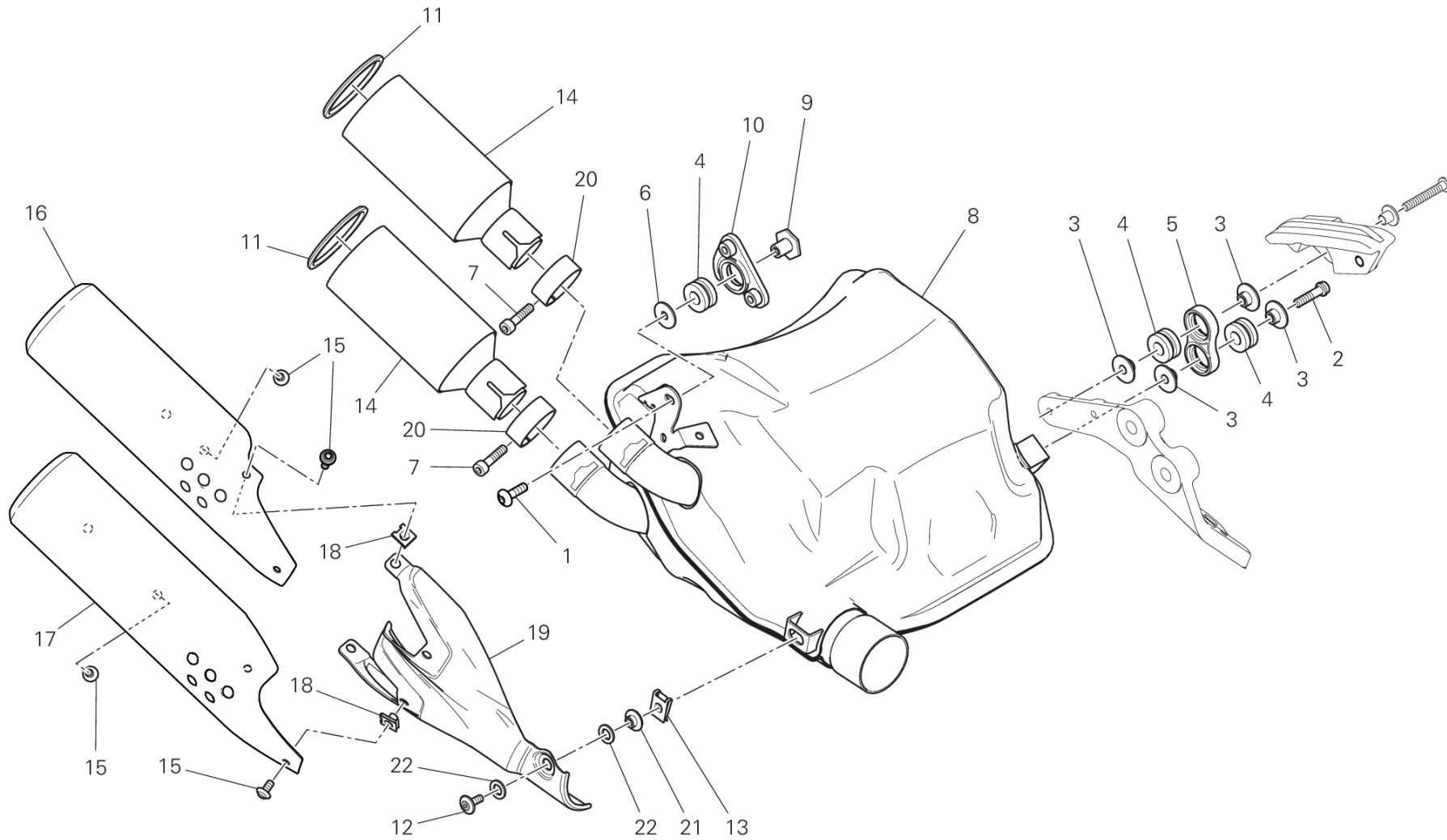


POS.	CODE	DESCRIPTION	QTY	START DATE	END DATE	VALIDITY	NOTES
1	77244353BA	SCREW	1	28/08/2018			
2	77156698B	SCREW TCEIF M6X25	1	29/10/2014			
3	71614141A	DISTANZIALE 6,25X10X5,75	4	29/10/2014			
4	76410641B	VIBRATION DAMPER PAD	3	29/10/2014			
5	57610671A	BRACKET, SILENCER	1	29/10/2014			
6	85211761A	WASHER 6.4X12.5X1.6	1	04/11/2014			
7	77150728B	SCREW TCEI M6X35	2	01/06/2018			
8	57314321B	PRESILENCER	1	01/08/2018		XST:EUR,GSO	
9	71011491A	SPINDLE, TAPER	1	11/07/2018			
10	8301F411AA	BRACKET, SILENCER	1	28/08/2018			
11	78811671A	GASKET SILENCER	2	08/03/2018			
12	77244183B	SCREW	1				
13	85041031A	NUT, SPRING M5	1				
14	57314731C	SILENCER	2	01/09/2018			
15	77244173B	SCREW	8				
16	4601E711BA	COVER, EXHAUST UPPER	1	01/09/2018			
17	4601E961BA	COVER, EXHAUST LOWER	1	01/09/2018			
18	85040471A	QUICK FASTENING M5	4				
19	4601E701AA	HEAT GUARD FRONT	1	01/06/2018			
20	74142721A	CLAMP	2				
21	71614291AB	SPACER	1				
22	85212271A	WASHER	2				



DRAWING 31B - EXHAUST SILENCER [MOD:SCR800DS;XST:ROK]

GROUP FRAME



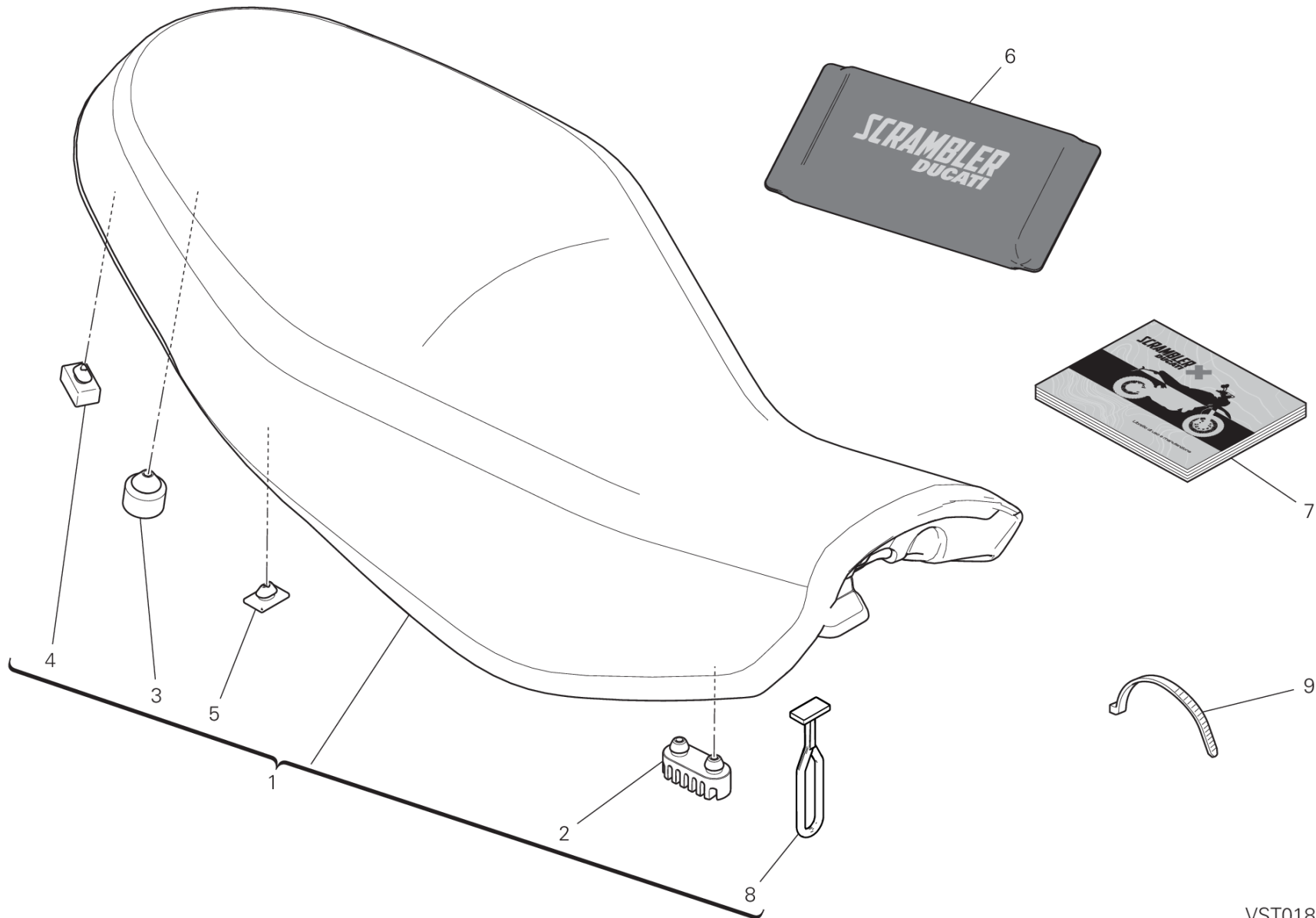
SCR00303

DRAWING 31B - EXHAUST SILENCER [MOD:SCR800DS;XST:ROK]

GROUP FRAME



POS.	CODE	DESCRIPTION	QTY	START DATE	END DATE	VALIDITY	NOTES
1	77244353BA	SCREW	1	28/08/2018			
2	77156698B	SCREW TCEIF M6X25	1	29/10/2014			
3	71614141A	DISTANZIALE 6,25X10X5,75	4	29/10/2014			
4	76410641B	VIBRATION DAMPER PAD	3	29/10/2014			
5	57610671A	BRACKET, SILENCER	1	29/10/2014			
6	85211761A	WASHER 6.4X12.5X1.6	1	04/11/2014			
7	77150728B	SCREW TCEI M6X35	2	01/06/2018			
8	57314321B	PRESILENCER	1	01/08/2018			
9	71011491A	SPINDLE, TAPER	1	11/07/2018			
10	8301F411AA	BRACKET, SILENCER	1	28/08/2018			
11	78811671A	GASKET SILENCER	2	08/03/2018			
12	77244183B	SCREW	1				
13	85041031A	NUT, SPRING M5	1				
14	57314741B	SILENCER	2	26/11/2018			
15	77244173B	SCREW	8				
16	4601F092AA	COVER, EXHAUST UPPER	1	26/11/2018			
17	4601F102AA	COVER, EXHAUST LOWER	1	01/06/2018			
18	85040471A	QUICK FASTENING M5	4				
19	4601E701AA	HEAT GUARD FRONT	1	01/06/2018			
20	74142721A	CLAMP	2				
21	71614291AB	SPACER	1				
22	85212271A	WASHER	2				



VST01876

DRAWING 32A - SEAT [MOD:SCR800DS]

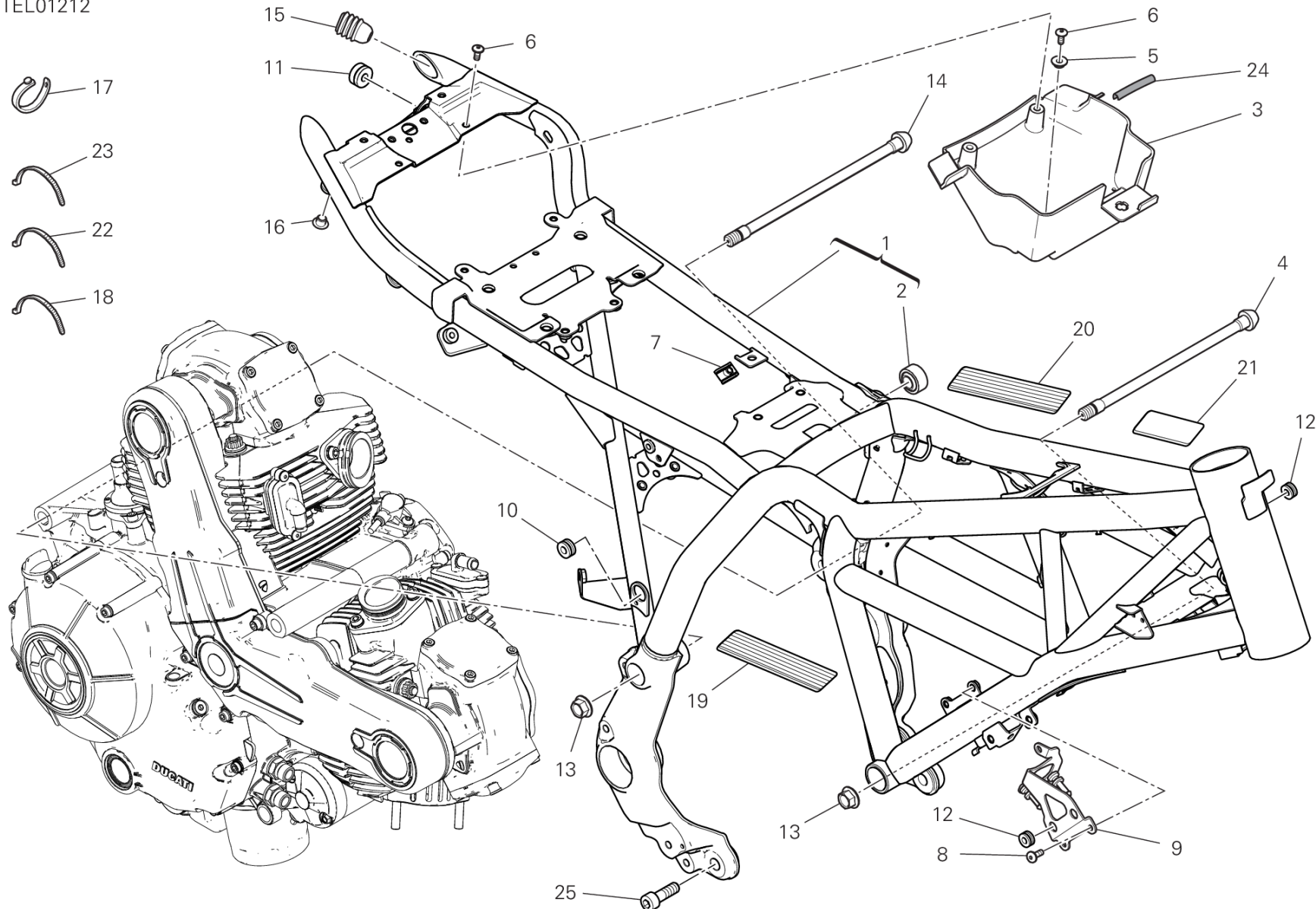
GROUP FRAME



POS.	CODE	DESCRIPTION	QTY	START DATE	END DATE	VALIDITY	NOTES
1	59522581A	SEAT	1	26/08/2018		XST:EUR,GSO	
	59522591A	SEAT LOW	1	26/08/2018		XST:EUR,ROK	
2	86612141A	CUSHION, SEAT	4	06/02/2018			
3	76411741A	RUBBER PAD	2	06/02/2018			
4	86612151A	RUBBER PAD	2	06/02/2018			
5	86610301A	PAD	2	23/10/2017			
6	69720312D	TOOL BAG	1	01/08/2018			
7	91374081A	OWNER'S MANUAL	1			XST:EUR	IT-GB-FR-DE
	91374081B	OWNER'S MANUAL	1			XST:EUR	GB-ES-FR-JP
	91374081C	OWNER'S MANUAL	1			XST:EUR	ES-PT-GR
	91374081D	OWNER'S MANUAL	1			XST:EUR,ROK	FR-NL-KR-GB-TW-CN
	91374081E	OWNER'S MANUAL	1			XST:EUR	SE-FI-DK-NO
	91374081F	OWNER'S MANUAL	1			XST:EUR	PL-CZ-SK-SL-HR
	91374081G	OWNER'S MANUAL	1			XST:EUR	HU-RO-BG-RU
	91374081R	OWNER'S MANUAL	1			XST:EUR,GSO	GB-AR
	91374081T	OWNER'S MANUAL	1			XST:EUR	GB-TH
8	75940041A	RUBBER BAND, TOOLS KIT	1	25/07/2016			
9	069191030	CLAMP	3	26/09/2018			



TEL01212

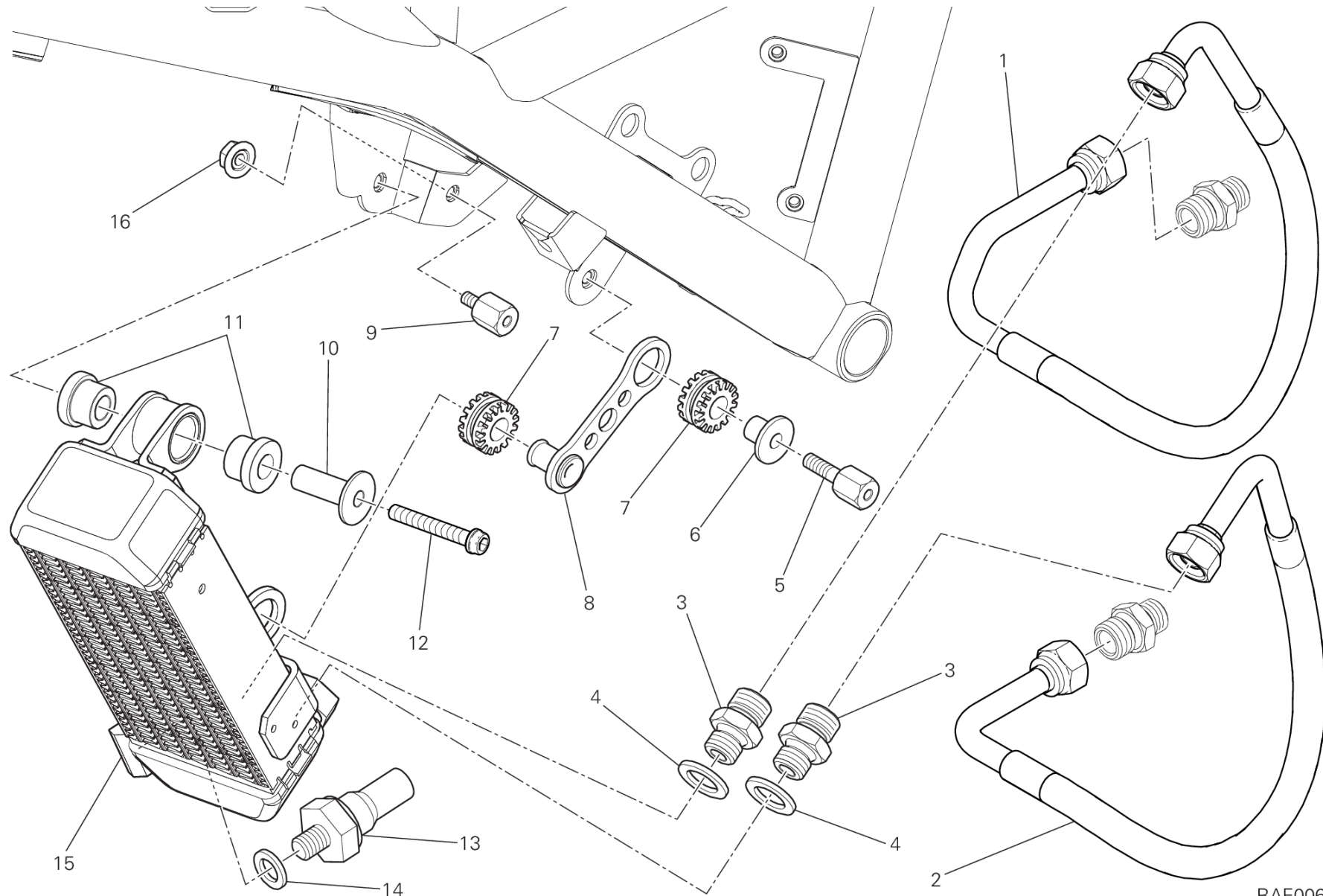


DRAWING 33A - FRAME [MOD:SCR800DS]

GROUP FRAME



POS.	CODE	DESCRIPTION	QTY	START DATE	END DATE	VALIDITY	NOTES
1	47028234AB	FRAME RED	1	01/08/2018		XST:EUR,GSO,ROK	
2	84840111A	BALL JOINT	1	29/10/2014			
3	55910142B	LOCKER	1	05/02/2018			
4	7791A131AA	PIN FRONT	1	26/02/2016			
5	71614291AA	SPACER	2	05/02/2018			
6	77240263C	SCREW	4	05/02/2018			
7	85040551A	QUICK FASTENING	1	20/06/2018			
8	77240254C	SCREW	2	29/10/2014			
9	82717321BA	PLATE (AIS)	1	29/10/2014			
10	76411501A	RUBBER PAD	2	13/02/2018			
11	76412281A	RUBBER PAD	2	05/02/2018			
12	76411671A	RUBBER PAD	4	05/02/2018			
13	74841011AA	NUT, FLANGE	2	29/10/2014			
14	7791A141AA	PIN (REAR)	1	17/03/2016			
15	87211451A	PLUG	2	29/10/2014			
16	87241331A	PLUG	4	21/05/2018			
17	74110131A	CLAMP, RUBBER 82MM	4	07/09/2018			
18	74142831A	CLAMP	1	01/08/2018			
19	86612921A	RIGHT PAD	1	07/09/2018			
20	86612931A	LEFT PAD	1	07/09/2018			
21	86612971A	PAD	2	17/09/2018			
22	74140381A	CLAMP	1	21/09/2018			
23	069191030	CLAMP	4	21/09/2018			
24	76412131A	RUBBER PAD	1	24/09/2018			
25	77151568C	SCREW	1	28/08/2018			



RAF00640

DRAWING 34A - OIL COOLER [MOD:SCR800DS]

GROUP FRAME

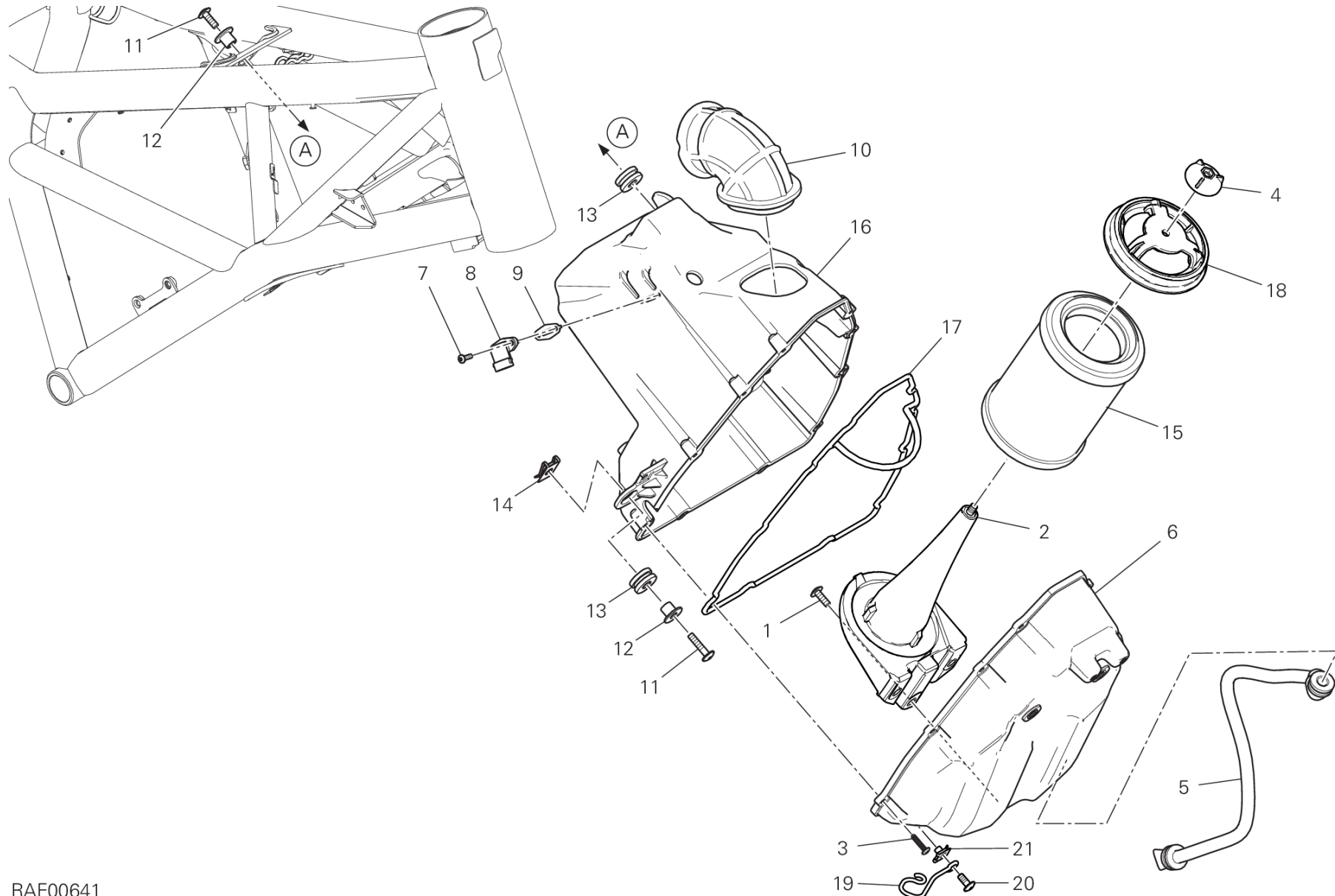


POS.	CODE	DESCRIPTION	QTY	START DATE	END DATE	VALIDITY	NOTES
1	54911151B	OIL DELIVERY PIPE	1	29/10/2014			
2	54911161B	PIPE	1	29/10/2014			
3	81510221A	NIPPLE, HOSEM14X1.5	2	29/10/2014			
4	78710111A	GASKET, ALUMINIUM 14X22X2	2	29/10/2014			
5	77919591AA	SCREW, SPECIAL LONG	1	29/10/2014			
6	71610031A	SPACER	1	29/10/2014			
7	76410241A	VIBRATION DAMPER PAD	2	29/10/2014			
8	83014041B	BRACE, RADIATOR	1	29/10/2014			
9	77919601AA	SCREW, SPECIAL SHORT	1	29/10/2014			
10	71614941BA	SPACER	1	29/10/2014			
11	76412141A	VIBRATION DAMPER PAD	2	29/10/2014			
12	77156738B	SCREW TCEIF M6X40	1	29/10/2014			
13	53940302A	SWITCH ASSY, OIL PRESSURE	1	29/10/2014			
14	85211951A	GASKET 10.5X17X2	1	29/10/2014			
15	54841061C	OIL COOLER	1	29/10/2014			
16	74841091AA	NUT	1	19/10/2016			



DRAWING 35A - AIR INTAKE - OIL BREATHER [MOD:SCR800DS]

GROUP FRAME



RAF00641

DESERT SLED /19

020000019

Page 142 / 164

SPARE PARTS CATALOGUE

27/04/2021

DRAWING 35A - AIR INTAKE - OIL BREATHER [MOD:SCR800DS]

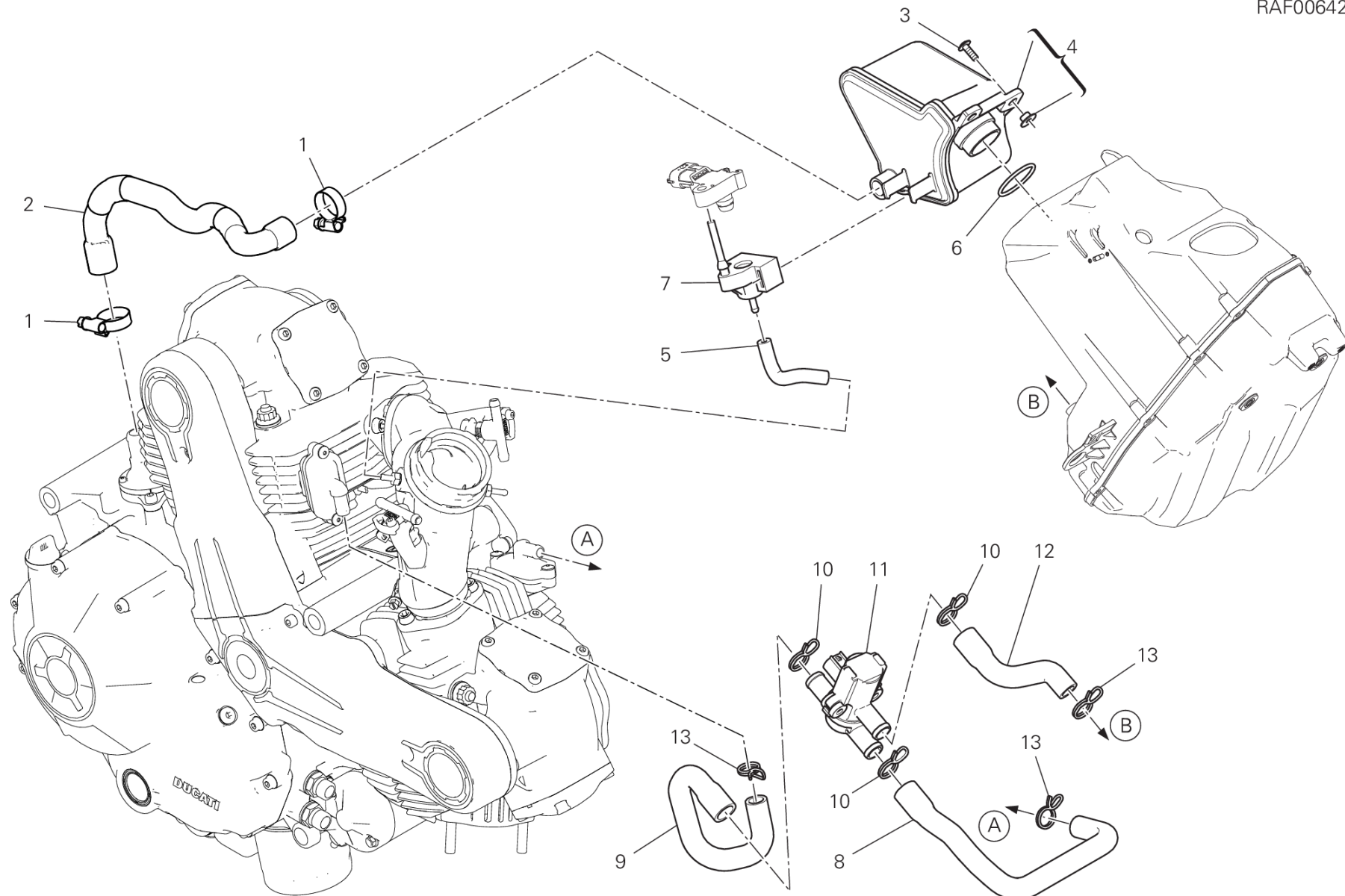
GROUP FRAME



POS.	CODE	DESCRIPTION	QTY	START DATE	END DATE	VALIDITY	NOTES
1	77210471B	SCREW TEF M5X12	3	29/10/2014			
2	8291G551A	CAGE, AIR FILTER	1	06/02/2018			
3	77440301A	SCREW	10	29/10/2014			
4	70310481A	RING NUT	1	06/02/2018			
5	93520011A	HOSE, DRAIN AIRBOX	1	29/10/2014			
6	44219071A	COVER, AIR FILTER CASE	1	05/02/2018			
7	77440111A	SCREW	2	29/10/2014			
8	55240121A	SENSOR, AIR TEMPERATURE	1	29/10/2014			
9	78811041A	GASKET, COOLING WATER SENSOR	1	29/10/2014			
10	48411251B	AIR SUCTION PIPE	1	29/10/2014			
11	77240453C	SCREW TBEIF M6X22 10.9	3	29/10/2014			
12	71610061A	SPACER	3	22/05/2017			
13	76410241A	VIBRATION DAMPER PAD	3	22/05/2017			
14	85040381A	QUICK FASTENING	2				
15	42610191A	FILTER, AIR	1	29/10/2014			
16	44219201A	AIR FILTER BOX	1	05/02/2018			
17	78811701A	GASKET AIR FILTER BOX	1	06/02/2018			
18	24612231A	FILTER COVER UNIT	1	06/02/2018			
19	75811451A	HOSE GUIDE	1	01/08/2018			
20	77244173B	SCREW	1	01/08/2018			
21	85040471A	QUICK FASTENING M5	1	01/08/2018			



RAF00642

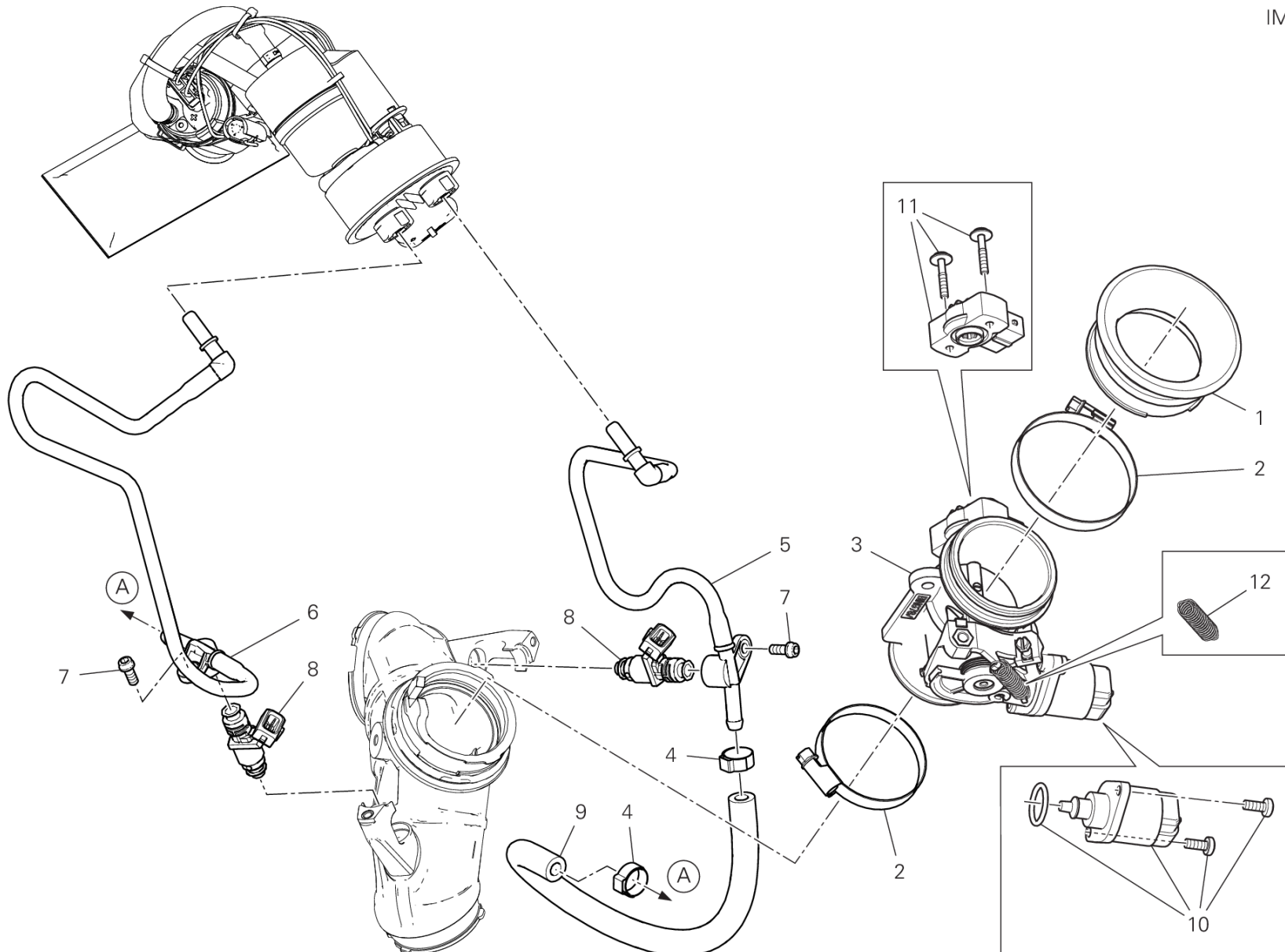




POS.	CODE	DESCRIPTION	QTY	START DATE	END DATE	VALIDITY	NOTES
1	74141811A	CLAMP 16-27 MM	2	29/10/2014			
2	87621271B	HOSE, BLOW-BY	1	20/06/2018			
3	77240253C	SCREW	2	29/10/2014			
4	58510912A	VENT TANK	1	29/10/2014			
5	59014481A	DEPRESSURE/PRESSURE LINE	1	05/02/2018			
6	88640771A	O-RING	1	29/10/2014			
7	8291D011A	BRACKET SENSOR PRESSURE	1	05/02/2018			
8	87711921A	DUCT, AIR HORIZONTAL	1	05/02/2018			
9	87711931A	DUCT, AIR VERTICAL	1	05/02/2018			
10	74142251A	CLAMP	3	05/02/2018			
11	59340531A	ACTUATOR (AIS)	1	05/02/2018			
12	87711911A	DUCT, AIR AIRBOX	1	05/02/2018			
13	74142211A	CLAMP	3	05/02/2018			



IMP01145



DRAWING 36A - THROTTLE BODY [MOD:SCR800DS]

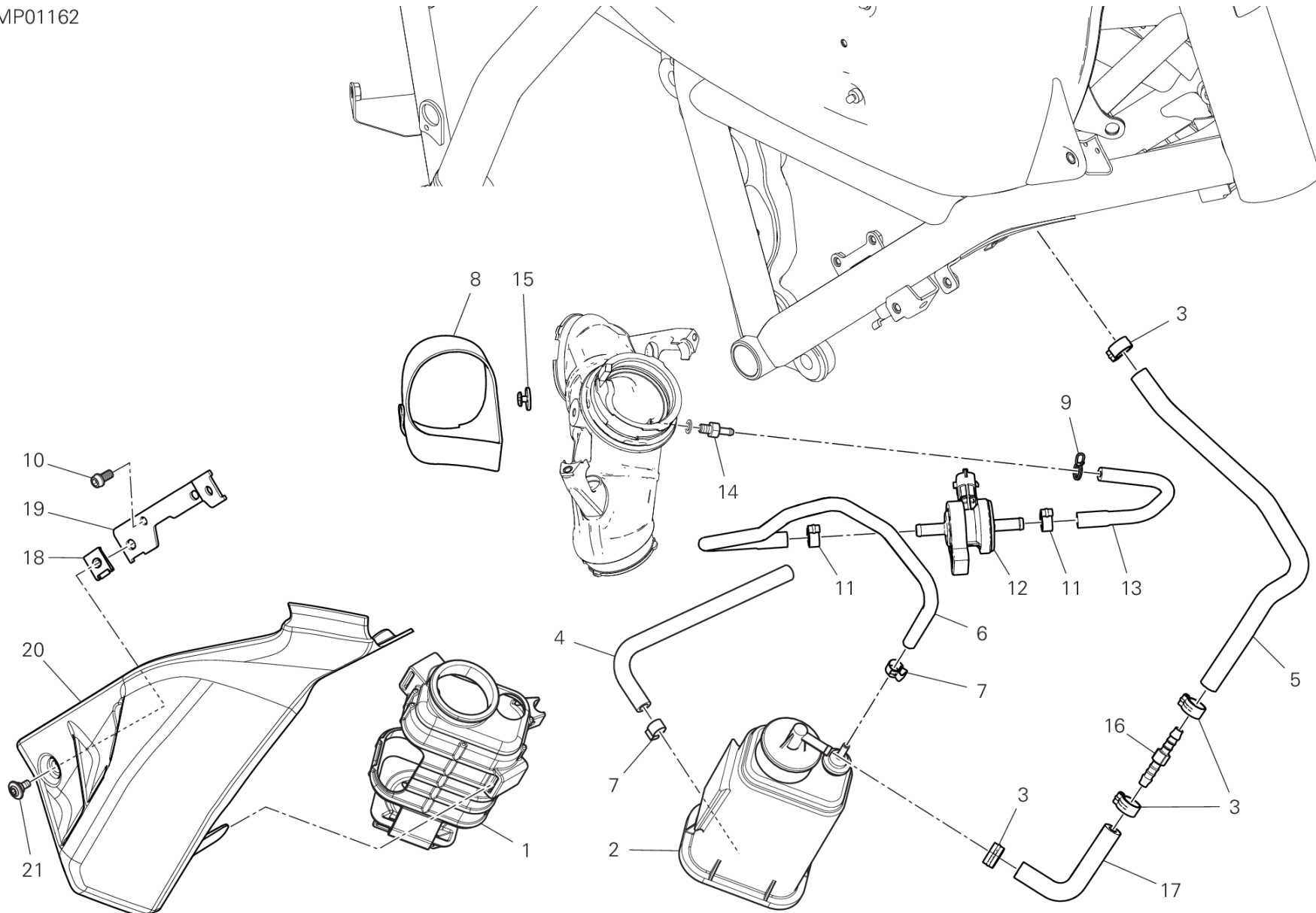
GROUP FRAME



POS.	CODE	DESCRIPTION	QTY	START DATE	END DATE	VALIDITY	NOTES
1	13510411B	AIR FUNNEL	1	29/10/2014			
2	74141871A	CLAMP 60-80 MM	2	29/10/2014			
3	28241001A	THROTTLE BODY	1	22/01/2016		CPT:STD	
	28241011A	THROTTLE BODY DEP 35 KW	1	05/09/2018		CPT:D35	
4	28740241B	CLAMP CLICK 16.8MM	2	29/10/2014			
5	59027951A	PIPE LEFT	1	05/02/2018			
6	59027941A	PIPE RIGHT	1	05/02/2018			
7	77156398B	SCREW TCEIF M5X12	2	29/10/2014			
8	28040231A	INJECTOR	2	29/10/2014			
9	59017891A	PIPE MIDDLE	1	29/10/2014			
10	28340291A	STEPPER MOTOR	1				
11	28340281A	SENSOR FOR THROTTLE POTENTIOMER SAMPLING	1				
12	79940241A	SPRING, RETURN	1				



IMP01162



DRAWING 36B - CANISTER FILTER [MOD:SCR800DS]

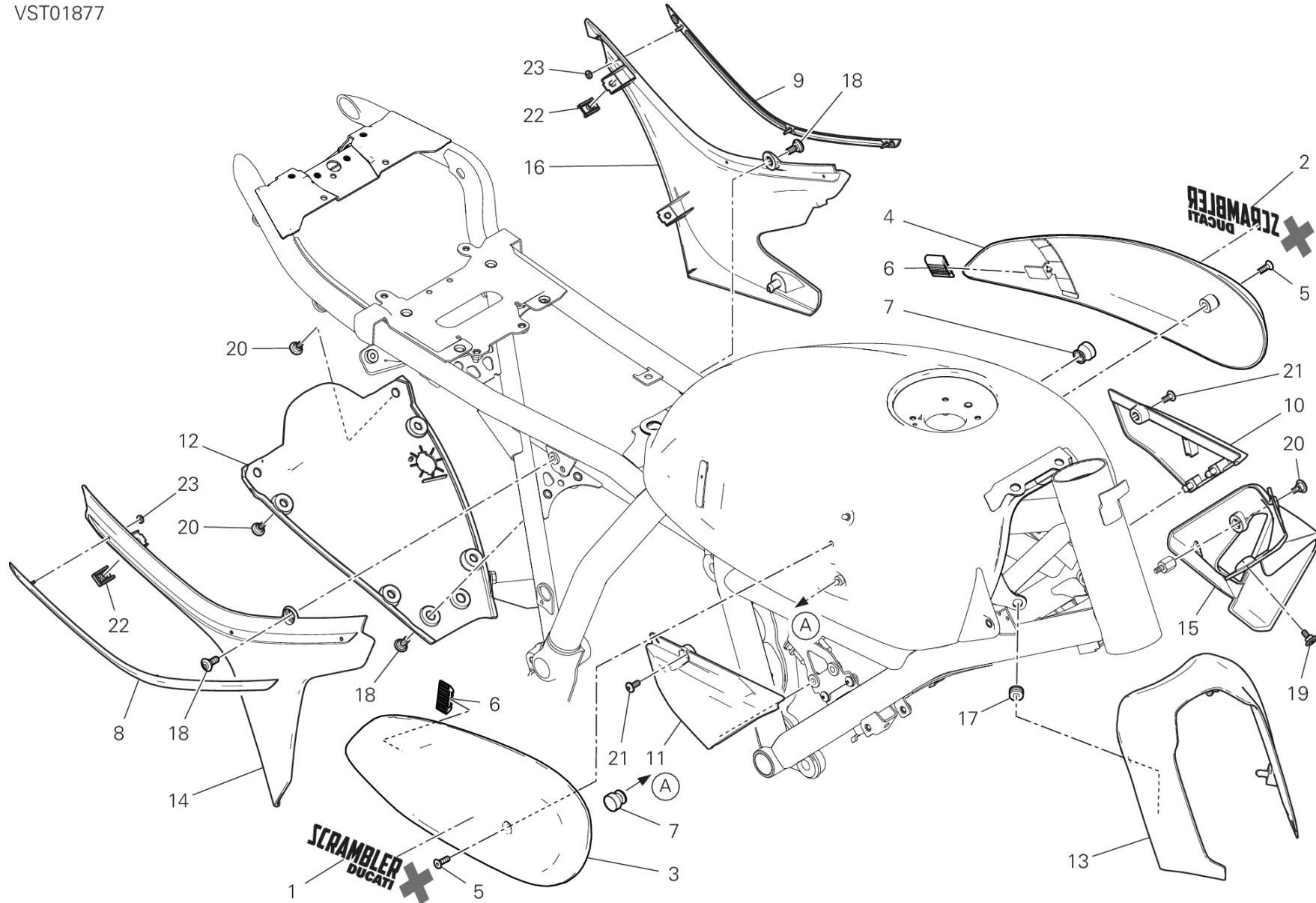
GROUP FRAME



POS.	CODE	DESCRIPTION	QTY	START DATE	END DATE	VALIDITY	NOTES
1	86612311A	MOUNT RUBBER CANISTER FILTER	1	25/01/2016			
2	42610351A	CANISTER FILTER	1	25/01/2016			
3	74140631A	CLAMP	4	25/01/2016			
4	59018331A	BREATHER PIPE CANISTER FILTER	1	25/01/2016			
5	59014741A	HOSE, DRAIN UPPER	1	25/01/2016			
6	59018341A	PIPE	1	25/01/2016			
7	74140581A	CLAMP	2	25/01/2016			
8	75910341A	RUBBER BAND	1	17/06/2016			
9	74140431A	CLAMP	1	25/01/2016			
10	77113691A	SCREW TCEIF M6X12	2	05/02/2018			
11	74140651A	CLAMP	2	25/01/2016			
12	65540101A	VALVE, BREATHER	1	25/01/2016			
13	59018351A	PIPE	1	25/01/2016			
14	81411111C	NIPPLE, HOSE	1	05/02/2018			
15	75910351A	BRACKET	1	17/06/2016			
16	81416361A	UNION	2	20/02/2018			
17	59014731A	HOSE, DRAIN LOWER	1				
18	85040551A	QUICK FASTENING	2	05/02/2018			
19	8291F991AA	BRACKET BRACKET, CANISTER	1	05/02/2018			
20	48212261A	COVER , FRAME RH BRACKET, CANISTER	1	05/02/2018			
21	77214411BA	SCREW, SPECIAL	2	05/02/2018			



VST01877

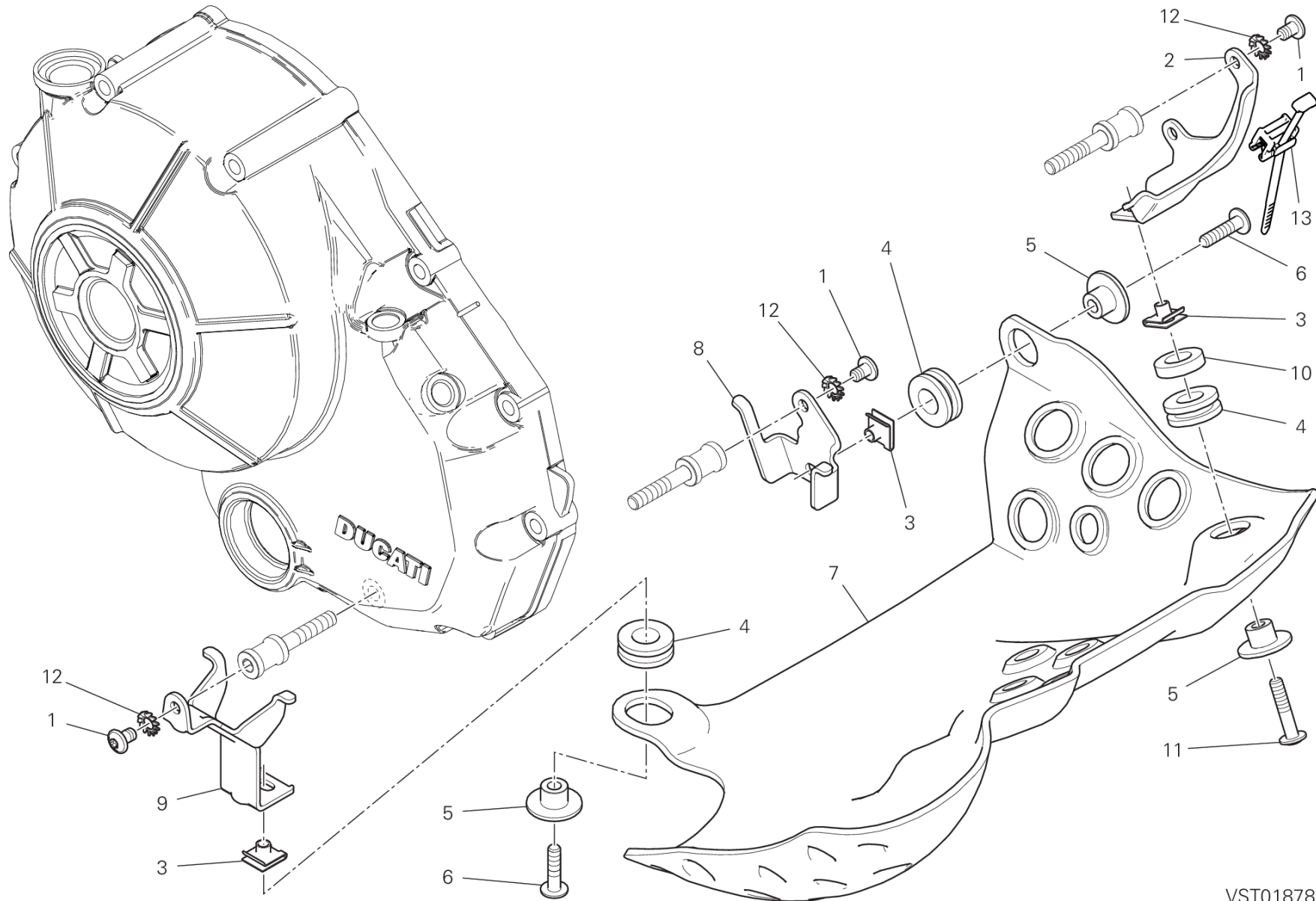


DRAWING 37A - FAIRING [MOD:SCR800DS]

GROUP FRAME



POS.	CODE	DESCRIPTION	QTY	START DATE	END DATE	VALIDITY	NOTES
1	43819381A	RIGHT STICKER (SCRAMBLER U.E.-D.S.)	1	01/08/2018			
2	43819411A	LEFT STICKER (SCRAMBLER U.E.-D.S.)	1	01/08/2018			
3	4801A291BA	CAP RH	1	01/09/2018			
4	4801A301BA	CAP LH	1	01/09/2018			
5	77750408B	SCREW	2	20/06/2018			
6	86611831B	RUBBER PAD	2	14/11/2017			
7	86612581A	RUBBER PAD FRONT	4	14/11/2017			
8	43713541BA	RIGHT ORNAMENTAL STRIP	1	05/02/2018			
9	43713552AA	LEFT ORNAMENTAL STRIP	1	05/02/2018			
10	4601C102A	CAP LH FRAME	1	05/02/2018			
11	4601C112A	CAP RH FRAME	1	05/02/2018			
12	4601G832A	MUDFLAP BOTTOM	1	01/06/2018			
13	48016671B	COVER, TANK FRONT	1	06/02/2018			
14	48211991B	COVER , FRAME RH	1	05/02/2018			
15	48212061A	CAP LH OIL COOLER	1	05/02/2018			
16	48216791A	COVER , FRAME LH	1	05/02/2018			
17	76411671A	RUBBER PAD	4	05/02/2018			
18	77211221B	SCREW, SPECIAL	6	05/02/2018			
19	77214411AA	SCREW	2	06/02/2018			
20	77214411BA	SCREW, SPECIAL	6	07/03/2018			
21	77240263C	SCREW	2	06/02/2018			
22	85040551A	QUICK FASTENING	4	05/02/2018			
23	85041841A	WASHER, LOCK	5	05/02/2018			



VST01878

DRAWING 37C - GUARD, ENGINE [MOD:SCR800DS]

GROUP FRAME



POS.	CODE	DESCRIPTION	QTY	START DATE	END DATE	VALIDITY	NOTES
1	77244183B	SCREW	2	12/01/2017			
2	8301A201AA	PLATE FRONT	1	29/10/2014			
3	85040471A	QUICK FASTENING M5	3	29/10/2014			
4	76411381A	VIBRATION DAMPER PAD	3	29/10/2014			
5	71611551A	SPACER 6.5X11X17	3	29/10/2014			
6	77244203B	SCREW	2	25/01/2016			
7	4601C991AA	GUARD, ENGINE	1	29/10/2014			
8	83017781AA	PLATE LEFT	1	29/10/2014			
9	8301A191AA	PLATE RIGHT	1	29/10/2014			
10	71314111A	SPACER 5.2X16X5	1	01/08/2018			
11	77240323C	SCREW	1	25/01/2016			
12	85540051A	TOOTHED LOCK WASHER	4	12/01/2017			
13	75840801A	CLAMP	1	01/08/2018			



CODE	NO. TABLE	POS.	CODE	NO. TABLE	POS.	CODE	NO. TABLE	POS.	CODE	NO. TABLE	POS.
027291090	02A	8	16014781A	11B	20	20820011A	11C	4	30122872DB	11C	12
036749275	09A	11	16014853A	30B	2	20820011A	11D	4	30122882DB	11D	12
040009050	02A	21	16024381A	30B	4	20920011A	11C	9	30310681AA	11C	13
040029126	02A	17	16020041A	10A	13	20920011A	11D	9	30310681AA	11D	13
061950065	10A	2	16220481BA	29A	22	21010881A	11C	15	30310681AB	11C	13
064770010	11C	7	16220591AA	28A	9	21010881A	11D	15	30310681AB	11D	13
064770010	11D	7	16311231A	11A	21	21110881A	11C	16	30310681AC	11C	13
066013143	02A	9	16311231A	11B	21	21110881A	11D	16	30310681AC	11D	13
066549680	04A	2	17010511A	03B	17	22523721A	09A	1	30410901A	11C	14
067049310	09A	13	17010511A	03C	20	23520421A4	11A	14	30410901A	11D	14
069191030	13B	5	17121081A	07A	10	23520421A4	11B	14	30410901AB	11C	14
069191030	21A	20	17211121A	03A	18	24020393A	11C	22	30410901AB	11D	14
069191030	32A	9	17211161A	03A	20	24020393A	11D	22	30410901AC	11C	14
069191030	33A	23	17211171A	03A	13	24221561AZ	04B	1	30410901AC	11D	14
075949280	09B	10	17212541A	03A	14	24314251AZ	04A	1	30410911A	11C	20
11210801AA	05A	8	17212581A	03A	10	24510791B	07A	1	30410911A	11D	20
11210801AB	05A	8	17214521A	03A	12	24510801A	07A	4	30410911AB	11C	20
11711741AA	26B	28	17214541A	03A	9	24510812A	11A	8	30410911AB	11D	20
11723561B	26A	6	17214551A	03A	8	24510822A	11B	8	30410911AC	11C	20
11723621A	03B	16	17214561A	03A	5	24511511AD	07A	4	30410911AC	11D	20
11723621A	03C	18	17214571A	03A	21	24511522AD	07A	1	34111183AA	18A	1
12022912AB	06A	7	17310291A	10A	14	24612231A	35A	18	34220941AA	18A	5
12022922AB	06A	1	17420433A	08A	1	24714081A	11A	27	34420951A	18B	1
12111741A	06A	5	17620021A	10A	10	24714081A	11B	27	34520951A	18B	2
12113031A	06A	3	18020401A	02A	6	24714771AC	04B	8	34912681A	18B	11
12120531B	06A	4	18020511A	02A	6	24714911A	15A	5	34912711A	18B	9
12221612C	06A	2	18020011A	02A	11	24715041A	22A	12	34912721A	18B	13
13510411B	36A	1	180Z0021A	02A	12	24715051A	22A	11	34912741A	18B	4
14010781B	11E	1	18220691B	02A	18	25440013A	04A	3	34914411A	18B	10
14621923AR	05A	1	18410051A	26B	27	25510233A	07A	15	34914721A	18B	3
14720011A	07A	9	18710021A	20B	2	25510243A	11A	5	34914751A	18B	20
14814911A	11B	12	18710021A	22B	2	25510243A	11B	5	34914761A	18B	15
14814921A	11A	12	19020312A	03C	8	26420471A	10A	12	34914771A	18B	16
14911061A	03A	3	19020531A	03B	9	27040107A	10A	1	34914781A	18B	17
14911081A	03A	2	19410511A	03B	4	27620061A	10A	16	34914791A	18B	18
15021771A	03A	17	19420711A	03C	7	28040231A	36A	8	34914801A	18B	19
15021781A	03A	16	19510411D	22B	1	28241001A	36A	3	34914811A	18B	6
15620822AA	05A	5	19540081B	22B	3	28241011A	36A	3	34914821A	18B	14
15620822AB	05A	5	19610241A	03C	12	28340281A	36A	11	34922361A	18B	7
15620822AC	05A	5	19610251A	03C	4	28340291A	36A	10	34922371A	18B	21
16010922A	29A	19	19610542C	03B	11	28643221A	13C	19	34922381A	18B	8
16011051A	11A	6	19610681A	03B	12	28643221J	13C	19	34922391A	18B	22
16011051A	11B	6	19810331A	03C	14	28643231A	13C	19	34922401A	18B	12
16014781A	11A	20	19820441A	03B	14	28740241B	36A	4	34922411A	18B	23



CODE	NO. TABLE	POS.	CODE	NO. TABLE	POS.	CODE	NO. TABLE	POS.	CODE	NO. TABLE	POS.
34922441A	18B	25	44910521A	17A	1	46410601AA	26A	16	5101E251B	13B	11
34922451A	18B	26	45120201A	07A	7	46411081AA	26B	29	51310291E	13C	11
36011801AA	18A	10	45120211A	06A	6	46411091AA	26A	18	51411011B	13C	9
36011811AA	18A	6	45520181A	09A	6	46510742BA	26A	19	51411021B	13C	7
36015541AA	22A	14	45612351AA	26A	4	46510752BA	26B	9	51610043B	13D	2
36015551AA	22A	15	45622331AA	26A	8	47028234AB	33A	1	51840051B	13E	2
36015621AA	22A	16	45721081AA	26B	24	48016671B	37A	13	52010491B	14A	8
36015781CA	22A	8	4601C102A	37A	10	4801A291BA	37A	3	52310482B	22A	6
36521661A	23A	6	4601C112A	37A	11	4801A301BA	37A	4	52310492B	22A	7
36911481AA	19A	10	4601C172A	31A	17	48211991B	37A	14	52510431G	21A	12
37021772AB	19A	24	4601C193AA	31A	1	48212061A	37A	15	52510507A	14B	1
37310631A	19A	2	4601C201BC	31A	20	48212261A	36B	20	52910091C	21A	8
38010151A	13A	2	4601C271B	31A	2	48216791A	37A	16	52910221A	18B	24
38540093B	13D	10	4601C601A	31A	16	48411251B	35A	10	53010411B	14A	17
38640561C	13C	1	4601C991AA	37C	7	48611941A	04A	4	53010412B	14B	7
38940191A	13B	2	4601D021A	21A	7	490P0303A	A3	7	53910351A	16A	8
38940201A	13B	2	4601E672A	19A	6	490P0303A	H	1	53940302A	34A	13
38940211A	13B	2	4601E701AA	31B	19	490PE255A	A3	3	53940901A	26B	15
38940221A	13B	2	4601E701AA	31B	19	490PE255A	C3	1	53940911A	20A	2
38940231A	13C	8	4601E711BA	31B	16	490PE323A	A3	5	53940931A	22B	9
39040241A	14A	24	4601E821A	24A	7	490PE323A	D2	1	54040111C	13D	4
39040341A	14A	23	4601E831A	24A	8	490PE333A	A3	1	54140101A	13B	4
39740081B	13C	6	4601E941BA	26B	14	490PE333A	B3	1	54240851B	20C	12
40611653B	15A	2	4601E951BA	26A	23	491P0353A	A3	8	54841061C	34A	15
40820203AA	15A	1	4601E961BA	31B	17	491P0353A	H	2	54911151B	34A	1
42520061A	30A	15	4601F092AA	31B	16	491PE263A	A3	4	54911161B	34A	2
42520071A	30A	16	4601F102AA	31B	17	491PE263A	C3	2	55212121B	13D	5
42520081A	30A	17	4601G611A	13C	24	491PE327A	A3	6	55212191A	31A	8
42610191A	35A	15	4601G621A	13C	2	491PE327A	D2	2	55240121A	13D	8
42610351A	36B	2	4601G731A	13C	32	491PE336A	A3	2	55240121A	35A	8
43313911A	04A	18	4601G741A	13C	36	491PE336A	B3	2	55241321C	09B	14
43314501H	29A	1	4601G751A	17A	2	49240032A	29A	13	55241452A	06A	8
43314502A	29A	1	4601G801A	13C	37	49241411A	28A	5	55243161B	13D	9
43713541BA	37A	8	4601G832A	37A	12	49411611AA	29A	5	55243911A	02A	24
43713552AA	37A	9	4601H131AA	14A	32	49411651AA	29A	5	55243941B	04B	4
43819381A	37A	1	4601H671A	13C	41	49640031BA	29A	23	55610662AB	16A	6
43819411A	37A	2	4601H681A	13C	42	49640061A	28A	11	55610981CA	16A	1
44219071A	35A	6	46020081BA	14A	7	50122141AB	28A	6	55620971AA	16A	10
44219201A	35A	16	46040321A	29A	9	50221911AB	29A	14	55910142B	33A	3
44440038A	09B	3	46044751A	28A	14	50340021A	29A	25	56113392A	21A	11
44711731A	19A	8	46320222A	09A	34	50340061A	28A	13	56113451BA	21A	1
44711741A	19A	19	46320222A	11A	28	50410051A	28A	4	56426522AA	24A	3
44711781A	16A	14	46320222A	11B	28	50410061A	29A	11	56511171BA	27A	1
44711792A	19A	22	46410591AA	26B	6	5101E241C	13B	1	56511211A	27A	4



CODE	NO. TABLE	POS.	CODE	NO. TABLE	POS.	CODE	NO. TABLE	POS.	CODE	NO. TABLE	POS.
57014901AB	31A	9	61341021A	20B	8	70040241A	14A	3	71311973A	28A	2
57114941AB	31A	7	61811221A	20C	11	70140031A	10A	15	71312661A	03A	15
57114951AB	31A	11	61811231A	20C	7	70140051A	03A	4	71313091A	03B	13
57211861AB	31A	10	61911091A	20C	10	70140171A	19A	15	71314111A	37C	10
57314321B	31B	8	61911111A	20C	1	70140211A	03A	1	71314901A	13D	6
57314321B	31B	8	62441161A	20A	1	70140471A	10A	11	71315901A	03B	15
57314731C	31B	14	62540191A	20D	9	70240381A	29A	21	71319151A	02A	2
57314741B	31B	14	62640231A	20A	3	70240401A	09A	9	71319191A	10A	8
57610671A	31B	5	62640291A	22B	6	70240921A	09A	29	71319201A	13D	6
57610671A	31B	5	62640601A	20A	4	70240931A	09A	25	7131A792A	14A	5
58510912A	35B	4	62640601A	22B	13	70241231A	18A	9	7131A801A	29A	20
58540271A	20A	9	63040801A	22B	5	70250081A	04B	2	7131A811A	29A	7
58540311A	20D	1	63140281A	20D	12	70250081A	09A	20	7131B051AA	29A	16
58612761BE	30A	1	63140591A	20A	5	70250151A	03C	17	71413261AA	28A	15
59014481A	35B	5	63140661A	22B	14	70250381A	03C	5	71413281AA	28A	8
59014731A	36B	17	63210871A	22B	7	70250451A	19A	17	71510081B	23A	3
59014741A	36B	5	65010243C	22A	4	70250451A	28A	7	71610031A	20C	3
59017891A	36A	9	65110271C	22A	5	70250601A	03B	10	71610031A	34A	6
59018331A	36B	4	65240241C	13E	5	70250621A	29A	15	71610061A	13D	11
59018341A	36B	6	65420521A	22A	9	70310131A	18A	3	71610061A	35A	12
59018351A	36B	13	65540101A	36B	12	70310481A	35A	4	71610221B	23A	9
59027941A	36A	6	65611021B	22A	13	70310861BA	19A	4	71610441B	14A	20
59027951A	36A	5	65840041A	22A	1	70350062A	07A	18	71610732A	07A	13
59210261A	30A	2	66910011E	11C	8	70350062A	11A	2	71610991B	07A	17
59310601B	09A	46	66910011E	11D	8	70350062A	11B	2	71611551A	37C	5
59320621B	09A	33	67040351A	13A	4	71011491A	31B	9	71614091A	30A	9
59340531A	35B	11	67110811A	13A	1	71011491A	31B	9	71614111A	16A	11
59522581A	32A	1	67210641A	13C	40	71011901A	14A	11	71614141A	31B	3
59522591A	32A	1	67621041A	29A	2	71012051A	19A	13	71614141A	31B	3
59810201A	13E	6	67640981A	17A	3	71110951A	09A	32	71614261A	13C	22
59820611A	13E	12	67740231A	17A	4	71111261A	11A	31	71614291AA	33A	5
59821441D	13E	7	68010131A	05A	10	71111261A	11B	31	71614291AB	31B	21
59840291A	13E	4	68010131A	07A	5	71111281A	09B	12	71614291AB	31B	21
59910151A	13E	13	68010131A	11A	11	71111601A	09B	4	71614821C	30A	3
61041292C	20B	6	68010131A	11B	11	71111721A	06A	9	71614891AA	21A	3
61140442A	20D	10	68540081A	14A	15	71115491A	14A	12	71614941BA	34A	10
61240052A	20B	1	69610131A	26A	20	71210301A	19A	9	71615031BA	24A	1
61240052A	22B	4	69610131A	26B	10	71210591AA	19A	12	71615091AA	13C	26
61240081A	20D	13	69720312D	32A	6	71210651B	26B	18	71615151AA	15A	3
61240301A	20D	8	69926751A	13C	25	71310141E	03A	11	71615261AA	14B	5
61240341A	20D	15	70010541A	18A	12	71311191A	03C	16	71615511AA	23A	4
61240511A	20B	7	70010591A	29A	17	71311401A	09A	14	72010513C	28A	3
61241221A	20D	14	70010691A	21A	13	71311841A	29A	10	72050069E	04B	5
61340761A	20D	11	70010861B	13C	20	71311871A	19A	11	72050159EA	31A	14



CODE	NO. TABLE	POS.	CODE	NO. TABLE	POS.	CODE	NO. TABLE	POS.	CODE	NO. TABLE	POS.
720941616	09A	10	75010071E	03C	9	76412281A	33A	11	771507388C	04B	6
735001542	02A	15	75010121D	05A	11	76440572A	11C	10	77150768B	14A	2
735033380	09A	18	75011551A	13E	10	76440572A	11D	10	77150808B	09B	8
73740242A	07A	6	75011601A	07A	12	76510021A	26B	7	77151250ZF	02A	1
74110121A	13B	14	75011611A	05A	13	76510031A	26A	17	77151278B	13E	8
74110131A	13B	7	75040211A	13C	34	76510111A	26A	9	7715128BG	26B	8
74110131A	33A	17	75050051A	13C	30	76610671C	09B	2	77151298B	08A	2
74110551A	13B	15	751202567	09A	12	76640172A	11A	10	77151368B	09B	6
74140381A	13B	6	757941542	09A	17	76640172A	11B	10	77151568C	33A	25
74140381A	20C	13	75810931C	14A	30	768351134	02A	10	77156398B	36A	7
74140381A	33A	22	75810941B	14A	29	77052508B	09A	15	77156628B	13C	4
74140431A	20D	7	75810971A	31A	21	77110191A	26A	3	77156643B	14B	6
74140431A	36B	9	75811441A	14A	31	77110391A	17A	5	77156673C	22A	17
74140581A	36B	7	75811451A	35A	19	77110401B	14A	18	77156688B	26A	5
74140631A	36B	3	75840601A	13D	13	77110491A	07A	3	77156694B	18B	5
74140651A	36B	11	75840801A	13C	31	77110491A	11A	7	77156698B	31B	2
74141801A	11E	2	75840801A	37C	13	77110491A	11B	7	77156698B	31B	2
74141811A	35B	1	75910321B	13C	3	77110518B	08A	4	77156738B	34A	12
74141871A	36A	2	75910341A	36B	8	77110521A	07A	2	77157213B	21A	17
74142211A	35B	13	75910351A	36B	15	77113691A	36B	10	77157238B	11A	19
74142251A	35B	10	75940041A	32A	8	77113861A	11A	16	77157238B	11B	19
74142721A	31B	20	76410241A	13D	14	77113861A	11B	16	77157254B	18A	2
74142721A	31B	20	76410241A	20C	4	77140677C	04B	9	7715727BF	26A	2
74142831A	33A	18	76410241A	34A	7	77140677CF	10A	5	7715727BF	26B	2
74750031A	26B	22	76410241A	35A	13	77140697CF	10A	7	77159414B	18A	7
74810232B	29A	3	76410641A	14A	6	77140717C	04A	14	77210103A	07A	8
74810501A	11A	29	76410641B	31B	4	77140717C	04B	10	77210423C	13D	7
74810501A	11B	29	76410641B	31B	4	77140727C	04B	11	77210471B	35A	1
74810651A	28A	1	76410971A	14A	27	77140817C	04A	15	77210591A	20D	3
74840241AB	18A	14	76411141A	15A	4	77140837C	04A	16	77210601A	26B	31
74840241AB	29A	6	76411381A	37C	4	77150068B	09A	45	77210621A	17A	6
74840331A	31A	4	76411481B	24A	2	77150258B	14A	22	77211021A	13D	3
74841011AA	33A	13	76411491A	13C	23	77150408B	30A	10	77211021A	31A	19
74841091AA	34A	16	76411501A	33A	10	77150408B	30B	1	77211061A	13B	9
74841101AA	14A	1	76411671A	14B	2	77150443B	15A	6	77211201A	03B	3
74850021A	23A	5	76411671A	33A	12	77150658B	09A	26	77211221B	37A	18
74910031AA	16A	5	76411671A	37A	17	77150668BA	11C	3	77211261B	19A	7
74940041A	13C	28	76411741A	32A	3	77150668BA	11D	3	77214231A	19A	23
74940041A	14A	25	76412021B	30A	4	77150670ZF	02A	3	77214411AA	13C	12
74940041A	26A	25	76412031A	13C	21	77150678B	03C	1	77214411AA	37A	19
74941118B	13D	12	76412131A	13C	38	77150713B	26B	30	77214411BA	21A	4
74941118B	14A	4	76412131A	33A	24	77150728B	09B	11	77214411BA	23A	8
74950011B	21A	9	76412141A	34A	11	77150728B	31B	7	77214411BA	24A	9
75010071E	03B	7	76412181A	24A	5	77150728B	31B	7	77214411BA	27A	2



CODE	NO. TABLE	POS.	CODE	NO. TABLE	POS.	CODE	NO. TABLE	POS.	CODE	NO. TABLE	POS.
77214411BA	31A	18	77351223BF	29A	12	77917241AA	16A	7	79910491A	09A	8
77214411BA	36B	21	77354623B	14A	33	77918421AB	19A	3	79912121A	11C	5
77214411BA	37A	20	77354898B	22B	12	77918701A	11A	23	79912121A	11D	5
77240253C	21A	6	77440101A	13C	33	77918701A	11B	23	79912961A	02A	20
77240253C	35B	3	77440111A	35A	7	77919281AA	30A	6	79914991A	26A	15
77240254C	33A	8	77440171A	13C	13	77919591AA	34A	5	79914991A	26B	5
77240263C	33A	6	77440171A	14A	28	77919601AA	34A	9	79915021A	11C	11
77240263C	37A	21	77440301A	35A	3	77919631A	11D	23	79915021A	11D	11
77240288C	11A	26	77440421A	15A	7	77919881A	09A	2	79915061A	02A	4
77240288C	11B	26	77510161A	21A	15	7791A131AA	33A	4	79915571AA	16A	3
77240308C	13E	11	77510171A	14A	9	7791A141AA	33A	14	79916461A	26B	19
77240323C	37C	11	77510171A	14B	4	7791A491AA	19A	16	79920772A	09A	38
77240403C	26A	24	77510511B	31A	22	7791A561AA	23A	1	79920881C	16A	2
77240403C	26B	13	77510661A	11A	17	7791A991AA	23A	2	79925941A	31A	6
77240418C	21A	14	77510661A	11B	17	77941952A	14A	14	79940121A	09A	43
77240433C	13D	15	77510721A	04A	5	77950302A	11A	1	79940201A	14A	16
77240443C	13C	27	77550211A	09B	7	77950302A	11B	1	79940241A	36A	12
77240453C	13C	17	77550213C	19A	20	77950621A	09A	21	80006677A	22A	3
77240453C	13D	16	77750408B	37A	5	78010161B	05A	3	81110021A	09A	50
77240453C	20C	2	77750498C	04B	12	78010871A	11C	17	81140012B	11A	25
77240453C	21A	18	77750508CC	10A	17	78010871A	11D	17	81140012B	11B	25
77240453C	23A	10	77840041A	09A	24	78011001B	04A	6	81411111C	36B	14
77240453C	35A	11	77910262A	09A	3	78020011A	31A	3	81413341A	11E	3
77240938C	16A	9	77910391A	09A	5	78610851A	06A	11	81416361A	30A	12
77244173B	20C	6	77911092A	05A	2	78611041A	06A	10	81416361A	36B	16
77244173B	31B	15	77911331A	11C	18	78710111A	09A	19	81510221A	09A	35
77244173B	31B	15	77911331A	11D	18	78710111A	34A	4	81510221A	34A	3
77244173B	35A	20	77911622A	09A	37	78810542A	10A	4	81510281A	09A	39
77244183B	31B	12	77911982A	09A	28	78811041A	35A	9	81540051AA	28A	12
77244183B	31B	12	77912033A	02A	7	78811111C	11A	13	81540051AA	29A	24
77244183B	37C	1	77912371B	26B	17	78811111C	11B	13	81810162A	03B	5
77244203B	37C	6	77913311D	20B	5	78811151A	09A	47	81810511A	03C	6
77244213B	30A	5	77913662AB	20A	7	78811641C	22B	8	81910791AA	29A	4
77244233B	13D	17	77913662AB	20C	8	78811671A	31B	11	81910842AA	28A	10
77244353BA	16A	12	77913662AB	20D	4	78811671A	31B	11	82110091B	29A	18
77244353BA	31B	1	77913662AB	22B	16	78811701A	35A	17	82110681CA	26A	14
77244353BA	31B	1	77913971A	20B	3	79010261A	31A	5	82110681CA	26B	4
77244403B	24A	6	77913971A	22B	10	79111131B	30B	3	82111701CA	26A	7
77244403BA	16A	13	77914045B	05A	9	79120462B	06A	12	82111701CA	26B	25
77250341B	09A	48	77915451B	19A	5	79710171A	03C	11	82113471A	10A	9
77251018B	22A	2	77915471A	05A	4	79710221A	03C	3	82113881A	02A	13
77251033B	30A	11	77916041D	04A	17	79710671A	03B	1	82114731A	02A	5
77253063C	13A	3	77916041D	04B	13	79910241B	26A	21	82120151A	02A	25
77253300ZF	10A	3	77916501AE	09A	44	79910241B	26B	11	82120011B	11C	6



CODE	NO. TABLE	POS.	CODE	NO. TABLE	POS.	CODE	NO. TABLE	POS.	CODE	NO. TABLE	POS.
82120011B	11D	6	84010042A	11C	1	84010262A	11C	1	84010542B	11C	2
82413651AA	26B	1	84010042A	11D	1	84010262A	11D	1	84010542B	11D	2
82413661AA	26A	1	84010052A	11C	1	84010272A	11C	1	84010552B	11C	2
82610111A	17A	7	84010052A	11D	1	84010272A	11D	1	84010552B	11D	2
82610261A	02A	16	84010062A	11C	1	84010282A	11C	1	84010562B	11C	2
82714821A	13E	9	84010062A	11D	1	84010282A	11D	1	84010562B	11D	2
82716031A	09A	49	84010072A	11C	1	84010292A	11C	1	84010572B	11C	2
82716091A	04B	7	84010072A	11D	1	84010292A	11D	1	84010572B	11D	2
82716351A	11A	22	84010082A	11C	1	84010302A	11C	1	84010582B	11C	2
82716351A	11B	22	84010082A	11D	1	84010302A	11D	1	84010582B	11D	2
82716371AA	16A	4	84010092A	11C	1	84010312A	11C	1	84010592B	11C	2
82717321BA	33A	9	84010092A	11D	1	84010312A	11D	1	84010592B	11D	2
8271F301BA	24A	10	84010102A	11C	1	84010322A	11C	1	84010602B	11C	2
8271F641A	04A	7	84010102A	11D	1	84010322A	11D	1	84010602B	11D	2
8291D011A	35B	7	84010112A	11C	1	84010332A	11C	1	84010612B	11C	2
8291D111A	13C	16	84010112A	11D	1	84010332A	11D	1	84010612B	11D	2
8291E031C	14A	21	84010122A	11C	1	84010342A	11C	1	84010622B	11C	2
8291E041A	14A	10	84010122A	11D	1	84010342A	11D	1	84010622B	11D	2
8291F991AA	36B	19	84010132A	11C	1	84010412B	11C	2	84010632B	11C	2
8291G261A	23A	7	84010132A	11D	1	84010412B	11D	2	84010632B	11D	2
8291G551A	35A	2	84010142A	11C	1	84010422B	11C	2	84010642B	11C	2
8291H231AA	13C	14	84010142A	11D	1	84010422B	11D	2	84010642B	11D	2
8291H242A	13C	15	84010152A	11C	1	84010432B	11C	2	84010652B	11C	2
83014041B	34A	8	84010152A	11D	1	84010432B	11D	2	84010652B	11D	2
83017781AA	37C	8	84010162A	11C	1	84010442B	11C	2	84010662B	11C	2
8301A151AA	24A	4	84010162A	11D	1	84010442B	11D	2	84010662B	11D	2
8301A191AA	37C	9	84010172A	11C	1	84010452B	11C	2	84010672B	11C	2
8301A201AA	37C	2	84010172A	11D	1	84010452B	11D	2	84010672B	11D	2
8301A731AA	13D	18	84010182A	11C	1	84010462B	11C	2	84010682B	11C	2
8301A771AA	20C	5	84010182A	11D	1	84010462B	11D	2	84010682B	11D	2
8301A801AA	13C	39	84010192A	11C	1	84010472B	11C	2	84010692B	11C	2
8301A811AA	13C	18	84010192A	11D	1	84010472B	11D	2	84010692B	11D	2
8301A821AA	26B	16	84010202A	11C	1	84010482B	11C	2	84010702B	11C	2
8301A831AA	14A	26	84010202A	11D	1	84010482B	11D	2	84010702B	11D	2
8301F041AA	26B	32	84010212A	11C	1	84010492B	11C	2	84010712B	11C	2
8301F411AA	31B	10	84010212A	11D	1	84010492B	11D	2	84010712B	11D	2
8301F411AA	31B	10	84010222A	11C	1	84010502B	11C	2	84010722A	11C	1
83110151A	09A	40	84010222A	11D	1	84010502B	11D	2	84010722A	11D	1
84010012A	11C	1	84010232A	11C	1	84010512B	11C	2	84010722B	11C	2
84010012A	11D	1	84010232A	11D	1	84010512B	11D	2	84010722B	11D	2
84010022A	11C	1	84010242A	11C	1	84010522B	11C	2	84010732A	11C	1
84010022A	11D	1	84010242A	11D	1	84010522B	11D	2	84010732A	11D	1
84010032A	11C	1	84010252A	11C	1	84010532B	11C	2	84010732B	11C	2
84010032A	11D	1	84010252A	11D	1	84010532B	11D	2	84010732B	11D	2



CODE	NO. TABLE	POS.	CODE	NO. TABLE	POS.	CODE	NO. TABLE	POS.	CODE	NO. TABLE	POS.
84010742B	11C	2	84740061A	09A	42	85212461A	11B	15	85540051A	37C	12
84010742B	11D	2	84840111A	33A	2	85212511A	21A	10	85550001B	13B	10
84010752B	11C	2	85010151A	26B	26	85212641A	22A	18	85550021A	21A	16
84010752B	11D	2	85040381A	31A	15	85212691A	05A	7	85610141A	03C	13
84010762B	11C	2	85040381A	35A	14	85212881A	05A	6	85610623A	07A	16
84010762B	11D	2	85040471A	13D	1	85212881B	05A	6	85610642A	11A	30
84010772B	11C	2	85040471A	31B	18	85212881C	05A	6	85610642A	11B	30
84010772B	11D	2	85040471A	31B	18	85212881D	05A	6	85610743A	11A	4
84010782B	11C	2	85040471A	35A	21	85212881E	05A	6	85610743A	11B	4
84010782B	11D	2	85040471A	37C	3	85212881F	05A	6	85611231A	03A	19
84010792B	11C	2	85040551A	31A	12	85212881G	05A	6	85611261A	03A	6
84010792B	11D	2	85040551A	33A	7	85212881H	05A	6	85611361A	30A	7
84010802B	11C	2	85040551A	36B	18	85212881I	05A	6	85611391B	03B	2
84010802B	11D	2	85040551A	37A	22	85212881J	05A	6	86610191A	21A	5
84010812B	11C	2	85040671A	13B	8	85212881K	05A	6	86610301A	32A	5
84010812B	11D	2	85041031A	21A	2	85212881L	05A	6	86611121A	20C	14
84010822B	11C	2	85041031A	31B	13	85212881M	05A	6	86611831B	37A	6
84010822B	11D	2	85041031A	31B	13	85212881N	05A	6	86611851C	30A	8
84010832B	11C	2	85041841A	37A	23	85212971A	11A	18	86611921A	13C	10
84010832B	11D	2	85110131A	07A	11	85212971A	11B	18	86612061A	13B	16
84010842B	11C	2	85110191A	05A	12	85213101A	21A	19	86612081A	13B	13
84010842B	11D	2	85110201A	03B	8	85213601A	04A	8	86612091A	13B	12
84010852B	11C	2	85110201A	03C	10	85213701A	18A	13	86612141A	32A	2
84010852B	11D	2	85210051A	02A	14	85240131A	14B	3	86612151A	32A	4
84010862B	11C	2	85210491B	23A	11	85240131A	31A	13	86612311A	36B	1
84010862B	11D	2	85210532A	09A	7	85250051A	09B	5	86612581A	37A	7
84010872B	11C	2	85210941A	02A	19	85250231A	11C	19	86612921A	33A	19
84010872B	11D	2	85211031AB	18A	8	85250231A	11D	19	86612931A	33A	20
84011082A	11C	1	85211201A	09A	27	85250231A	11E	4	86612971A	33A	21
84011082A	11D	1	85211511A	26A	12	85250241A	20A	8	86640111A	13E	3
84011092A	11C	1	85211511A	26B	21	85250241A	20B	4	87210532A	13B	3
84011092A	11D	1	85211731A	11A	3	85250241A	20C	9	87210691A	22A	10
84011102A	11C	1	85211731A	11B	3	85250241A	20D	5	87210971A	19A	21
84011102A	11D	1	85211761A	31B	6	85250241A	22B	11	87210981A	19A	18
84011112A	11C	1	85211761A	31B	6	85250261A	09A	4	87211081A	13C	35
84011112A	11D	1	85211771A	03C	2	85250401A	18A	11	87211281A	26A	10
84011122A	11C	1	85211951A	09A	31	85250421A	09A	30	87211281A	26B	23
84011122A	11D	1	85211951A	34A	14	85250631A	04A	9	87211431AA	14A	19
84011132A	11C	1	85212181A	27A	3	85310021A	08A	3	87211451A	33A	15
84011132A	11D	1	85212221A	28A	16	85310031A	09B	13	87241331A	33A	16
84011142A	11C	1	85212271A	31B	22	85310041A	08A	5	87310371A	09B	16
84011142A	11D	1	85212271A	31B	22	85340021A	14A	13	87621271B	35B	2
84740021A	26A	22	85212461A	09A	41	85350101A	13C	29	87711911A	35B	12
84740021A	26B	12	85212461A	11A	15	85350101A	13C	5	87711921A	35B	8



CODE	NO. TABLE	POS.	CODE	NO. TABLE	POS.
87711931A	35B	9	91374081T	32A	7
87712471A	20D	6	93010041B	18A	4
88110121A	02A	23	93040211A	04A	13
88110261A	03C	15	93041611A	09A	22
88110341A	10A	6	93041621B	11A	9
88210031A	07A	14	93041621B	11B	9
88210141A	03A	7	93041631B	09A	16
88440061A	29A	8	93041651A	09B	17
88450031A	26A	13	93050121A	19A	14
88450031A	26B	3	93510491A	30A	13
88450341B	02A	22	93510501A	30A	14
88450341B	19A	1	93520011A	35A	5
88450711A	04A	10	937831524	04B	15
88450721A	04B	3	944650035	L	1
88610951A	04B	14	944650037	L	2
88640331A	09A	23			
88640371A	09B	1			
88640771A	35B	6			
88640991A	11A	24			
88640991A	11B	24			
88641161A	26A	11			
88641161A	26B	20			
88641321A	09B	9			
88641381A	11C	21			
88641381A	11D	21			
88641731A	03B	6			
88641731A	03C	19			
88641991A	09B	15			
88642301A	04A	12			
89320062A	09A	36			
89320191A	04A	11			
89340241A	20D	2			
89340261A	20A	6			
89340271A	22B	15			
89420091A	09B	18			
89520481B	13E	1			
91374081A	32A	7			
91374081B	32A	7			
91374081C	32A	7			
91374081D	32A	7			
91374081E	32A	7			
91374081F	32A	7			
91374081G	32A	7			
91374081R	32A	7			





Ducati Motor Holding S.p.A.

Uffici Commerciali Amministrativi:

Via A. Cavalieri Ducati n. 3

40132 Bologna, Italy

Telefono 051 6413111

Fax 051 406580

Internet www.ducati.com